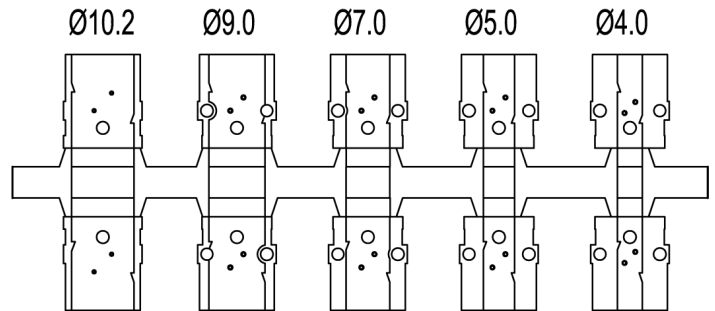
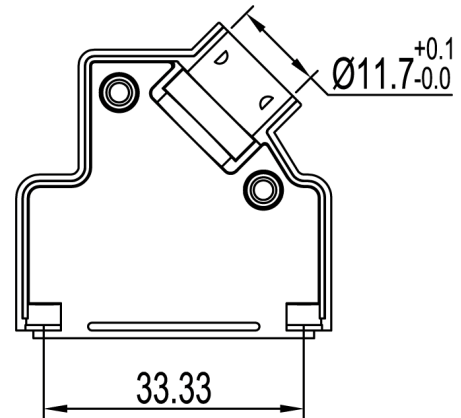
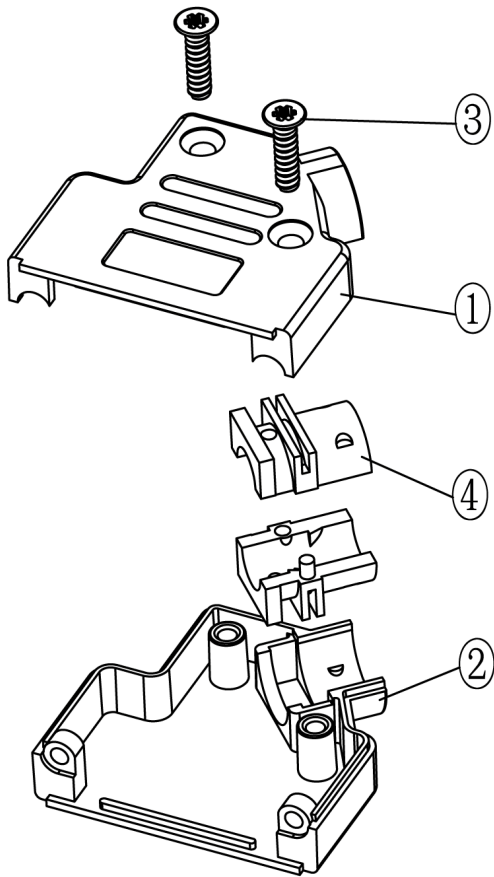
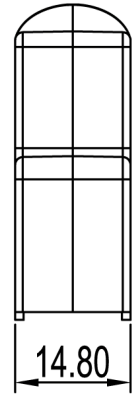
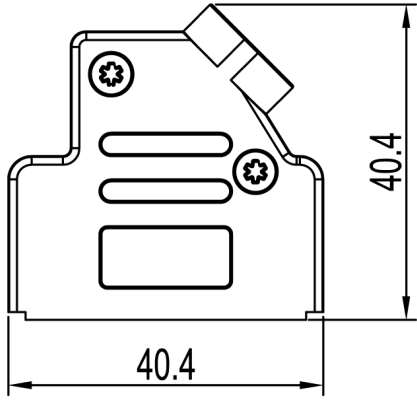


No.	Changes and/or Note No.	Date	Intr	No	Changes and/or Note No.	Date	Intr
-----	-------------------------	------	------	----	-------------------------	------	------



Grommet Set

Part Number:	Description:	Pack:	Item	QTY	Part description
6560-0206-32	DVSL15-TX-K	Kit	1	1	DVSL15-Upper cover
			2	1	DVSL15-Lower cover
			3	2	M3X12 Countersunk torx screw
6561-0206-32	DVSL15-TX	Bulk	4	1	D45ZK-D2 Grommet set
DATE: 2011-12-22	DRAWN: MRR	SCALE:	MATERIAL TYPE:		GENERAL TOLERANCES UNLESS OTHERWISE STATED LINEAR 0 ±0.20 0.0 ±0.15 0.00 ±0.10 ANGULAR ±0°30' ALL DIMENSIONS IN mm THIRD ANGLE PROJECTION
	APPROVED:		REPLACES:		