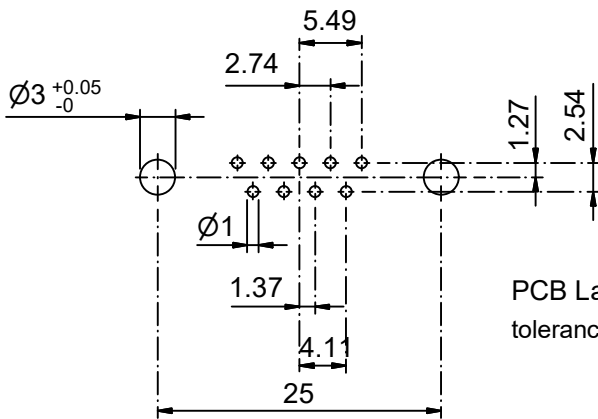
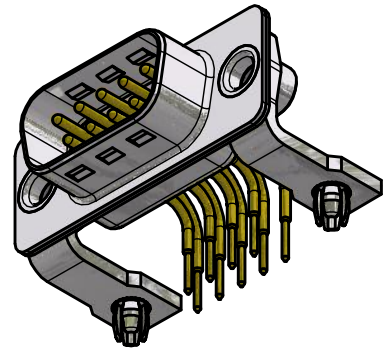
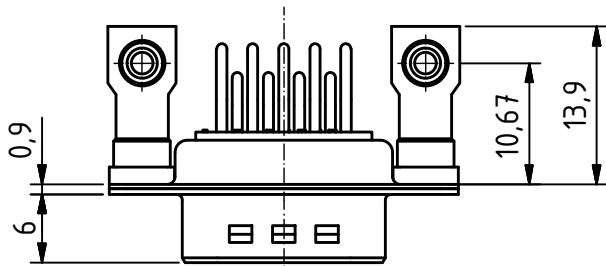
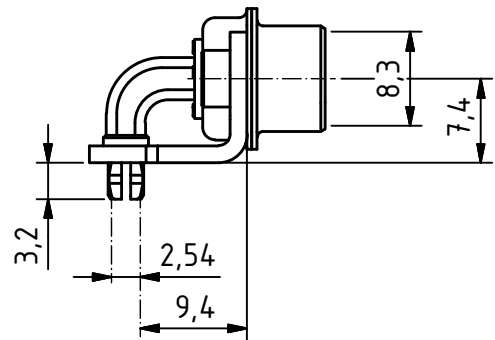
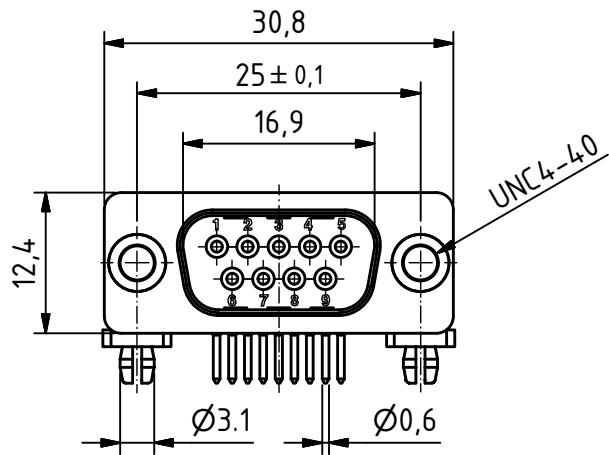


RoHS compliant



PCB Layout  
tolerances +/-0.1

Product is  
suitable for  
Wave Solder  
Process

General tolerances (Delttron standard)	
size in mm	
> 0.5	±0.1
up to 3	±0.2
> 3 up to 6	±0.2
> 6 up to 30	±0.2
> 30 up to 120	±0.3
tolerances	

**MATERIALS**

- Insulator: Thermoplastic UL 94-V-0 white
- Contact: Machined / Copper alloy
- Contact finish: Quality class 2
- Shell: steel tin plated

**CHARAKTERISTICS**

- Working voltage: 125V
- Current rating: 7.5A
- Contact resistance: max. 10mΩ - DIN41652
- Insulation resistance: >5GΩ
- Temperature range: -55° to +125°C

	All dimensions in mm	Rev.	Rev.	Rev.	DE004695		
		Rev.	Rev.	Rev.	part no.		
DTS09PYC/2M47UN				1.5:1 scale	drawn	08.04.2009	nf
					checked		
					approved		
				Industrie Neuhof 8c CH-3422 Kirchberg www.d-sub.swiss		K050363 drawing no.	