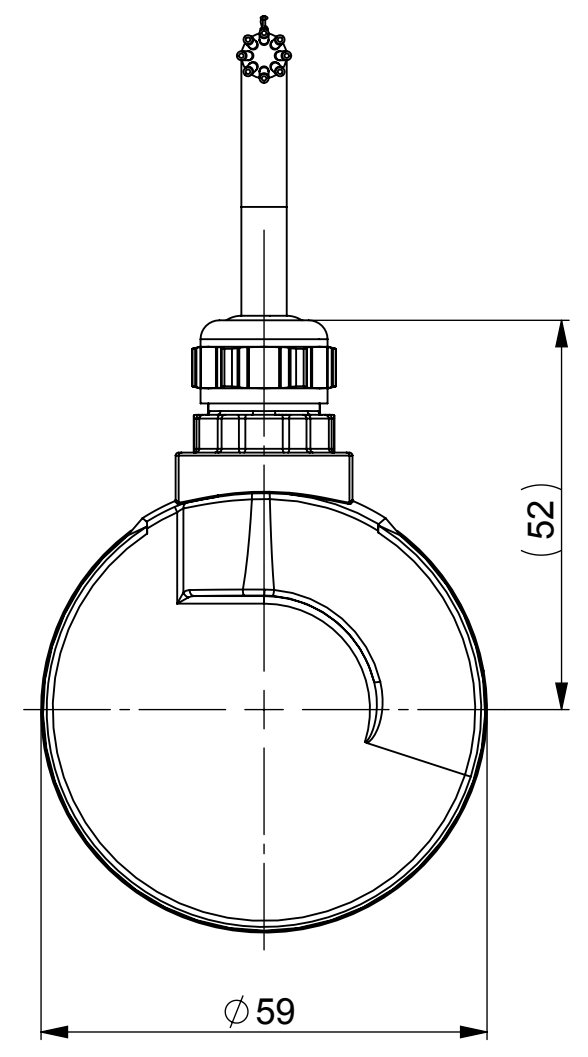
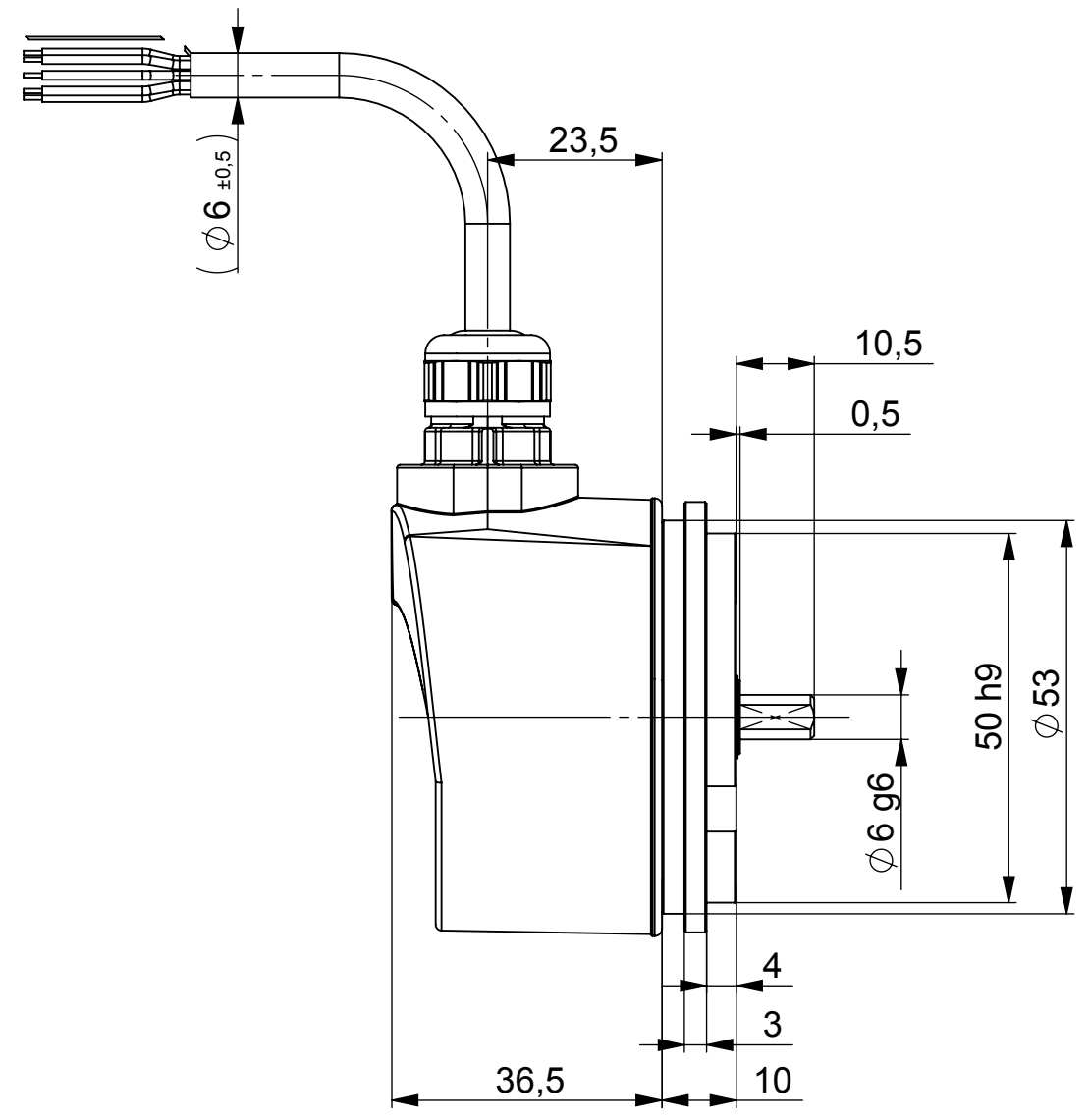
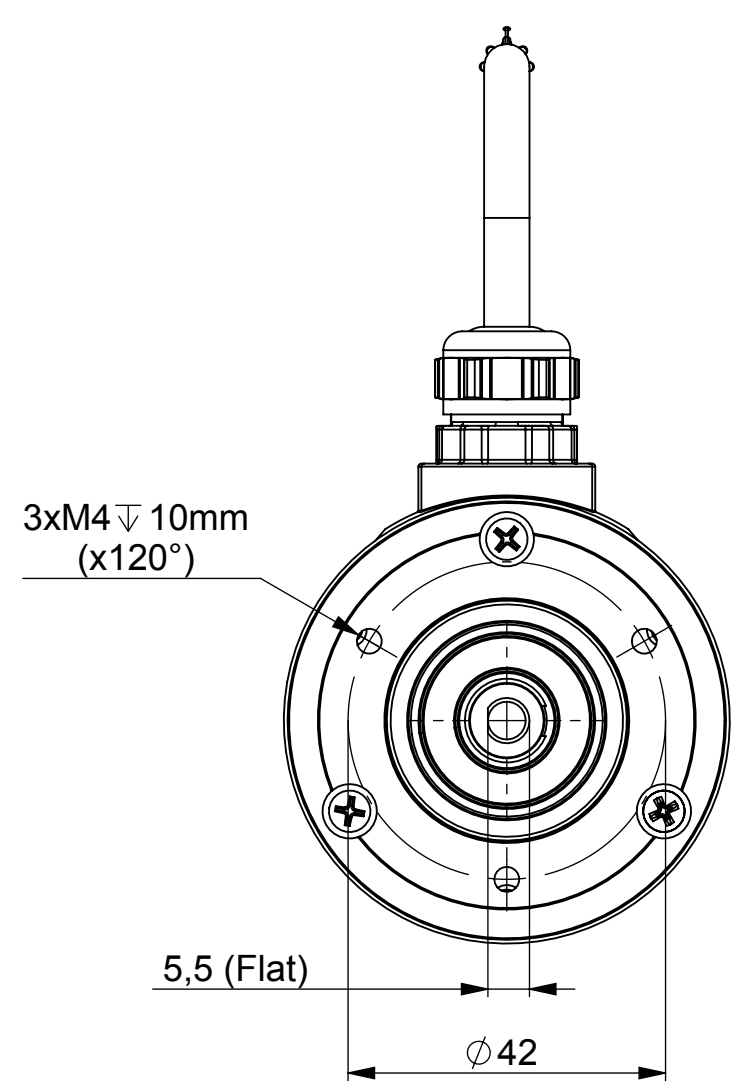


4

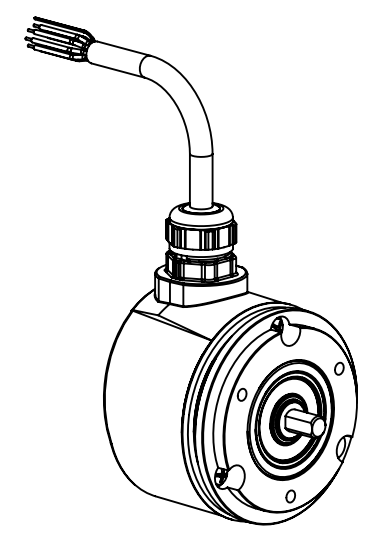
3

2

1



Functional Safety Product -TÜV certified -
 Toute modification est soumise à l'approbation du FSM
 All modifications must be approved by the
 Functional Safety Manager (FSM)



UNCONTROLLED COPY					
FIRST ISSUE DATE : 05/04/2018	SENSATA TECHNOLOGIES PROPRIETARY AND CONFIDENTIAL. NEITHER THIS PRINT NOR THE INFORMATION CONTAINED HEREON IS TO BE USED AGAINST THE INTERESTS OF SENSATA TECHNOLOGIES OR AGAINST THE INTERESTS OF ANY OF ITS AFFILIATED COMPANIES OR WHOLLY OWNED SUBSIDIARIES.	BEI SENSORS SAS Espace Européen de l'Entreprise 9, rue de Copenhague BP 70044 - F 67013 STRASBOURG Cedex Tel : +33 (0)3 88 20 81 40			
DRAWN : RHM		BEI Sensors TITLE DSM5H06_Cable Output_Radial_03			
APPROVED : JHH					
DATE : 05/04/2018	UNLESS OTHERWISE SPECIFIED DIMENSIONS ARE IN MILLIMETERS [INCHES] AND ARE INTENDED AS NOMINAL. SEE PRODUCT SPECIFICATION FOR MORE DETAILS.	SIZE A3	DWG NO. M022	REV. A	
ECN :	DO NOT SCALE DRAWING	EUROPEAN SYSTEM	SCALE 1/1	SOLIDWORKS	SHEET 1 OF 1
Housing material : Zinc Alloy Flange material : Aluminum Shaft material : Stainless Steel					

4

3

2

1

DEVICE:

PROJECT: