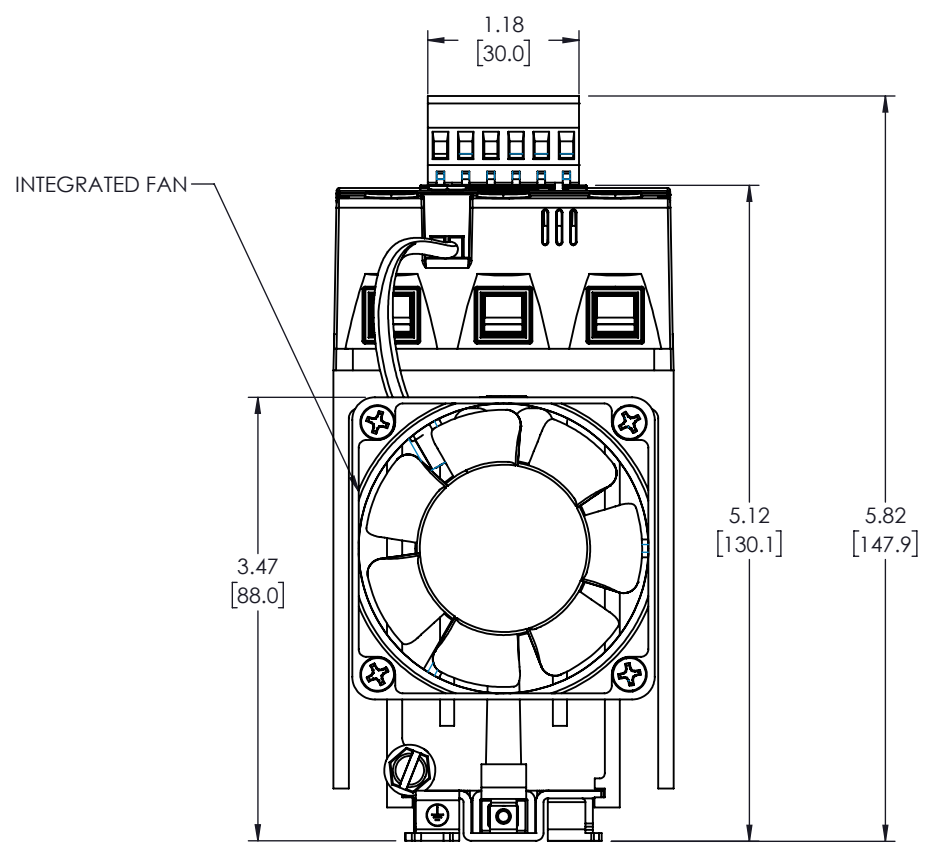
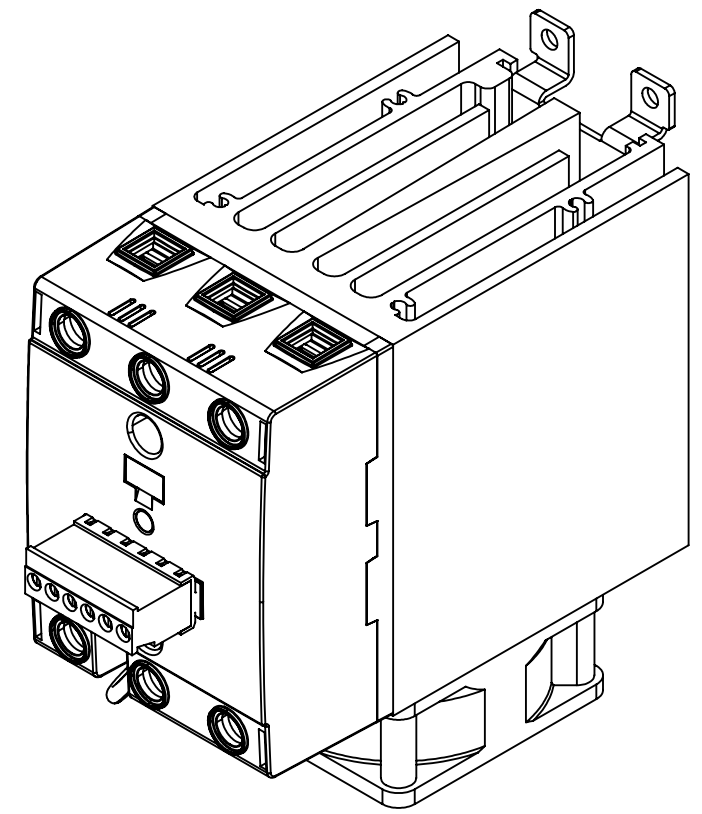
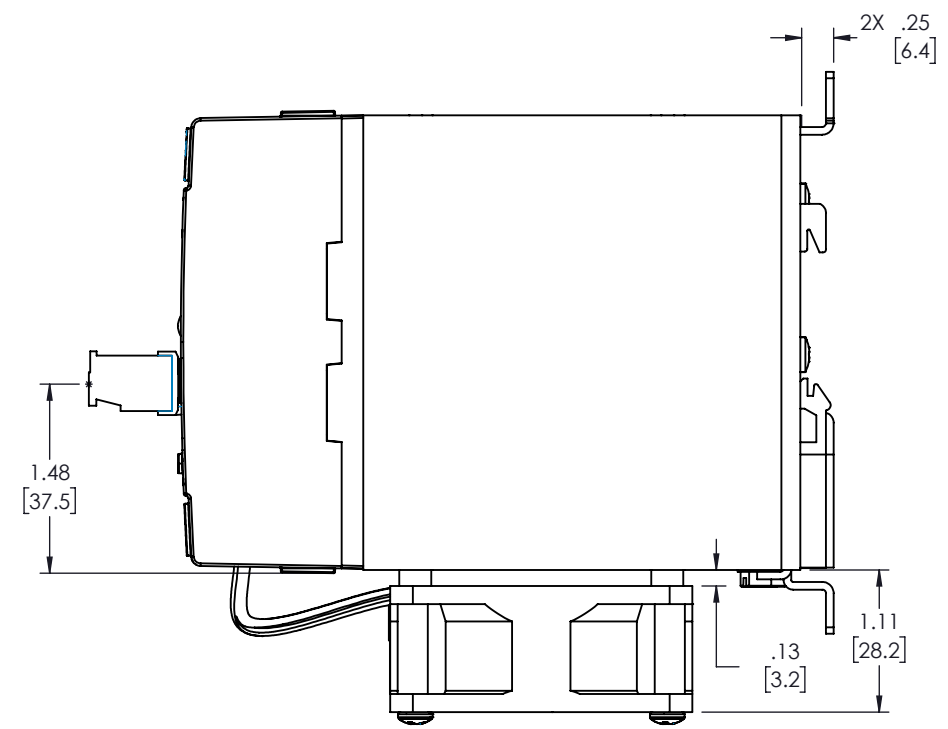
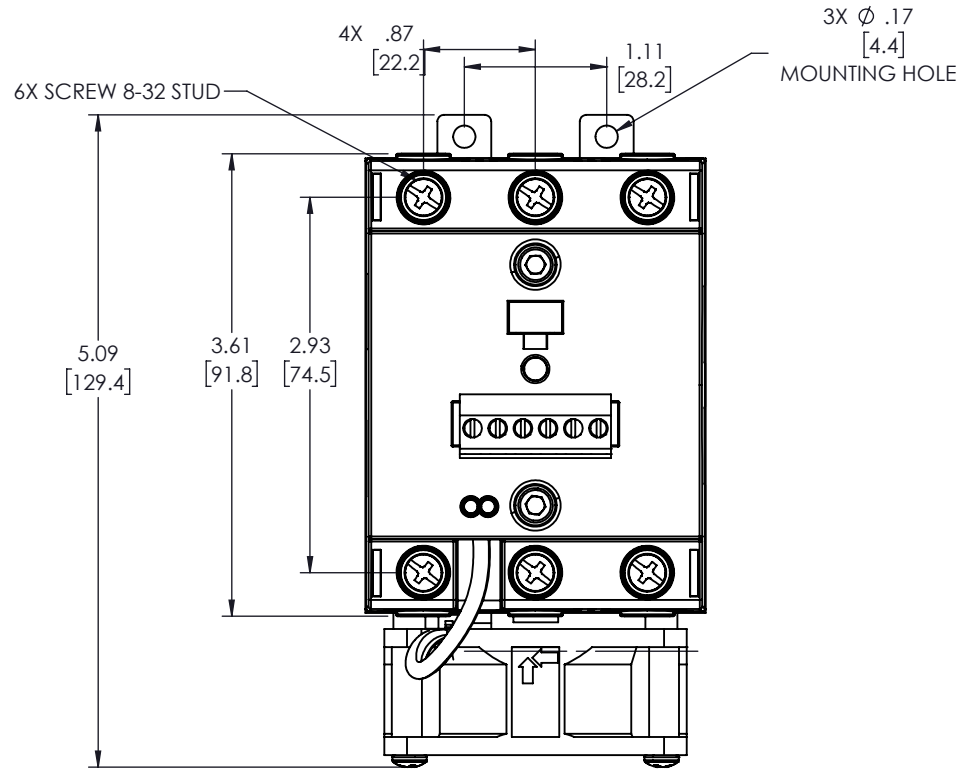


4

3

2

1



Tolerances  $\pm 0.02 / 0.5\text{mm}$ .  
 All dimensions are in: inches [millimeters]

UNCONTROLLED COPY

FIRST ISSUE DATE : 06/11/2018  
 DRAWN : MG  
 APPROVED : SO  
 DATE : 06/06/2019

SENSATA TECHNOLOGIES PROPRIETARY AND CONFIDENTIAL. NEITHER THIS PRINT NOR THE INFORMATION CONTAINED HEREON IS TO BE USED AGAINST THE INTERESTS OF SENSATA TECHNOLOGIES OR AGAINST THE INTEREST OF ANY OF ITS AFFILIATED COMPANIES OR WHOLLY OWNED SUBSIDIARIES.



Av. Producción # 2181 Parque Industrial International Tijuana, B.C. 22425

Crydom

ECN:  
 DATE:

UNLESS OTHERWISE SPECIFIED DIMENSIONS ARE IN INCHES [MILLIMETERS] AND ARE INTENDED AS NOMINAL. SEE PRODUCT SPECIFICATION FOR MORE DETAILS.

TITLE NOVA 67.5MM, DR6760 (60,75)xx

DO NOT SCALE DRAWING

THIRD ANGLE PROJECTION

SIZE B DWG NO. 110505 REV. 2

SCALE 2:3 SOLIDWORKS SHEET 1 OF 1

4

3

2

1

D

D

C

C

B

B

A

A