

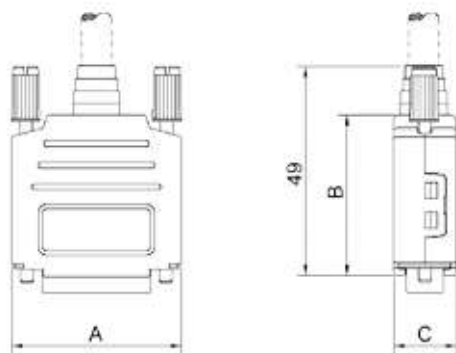
**TECHNICAL SPECIFICATIONS**

**D-Sub Hood:**

Material: UL Recognised Plastic Material  
 Plating: Nickel over Copper  
 Operating Temperature: -55°C to +105°C  
 Cable Entry: Top  
 Thumbscrews: UNC 4-40 (Standard)  
 Cable O.D: Up to 11,5mm

**D-Sub High Density:**

Insulator: PBT, Black, UL94 V-0  
 Shell: Stamped Steel, Tin Plated  
 Contact pins: Copper Alloy  
 Stamped & Formed pins: 100 inserts min  
 Contacts Plating: Selective Gold over Nickel  
 Operating Temperature: -55°C to +105°C  
 Withstanding voltage: 500V for 1 minute  
 Insulator resistance: 500MΩ min



D-Sub-Hood

**Features:**

- Available in sizes 9, 15, 25 and 37-way
- Suitable for any common Sub-D Connector
- Quick-Snap locking system
- Re-openable
- Recyclable

Size DPPK-M	Dim A	Dim B	Dim C
9-way	32,5	38,0	15,0
15-way	41,0	38,0	15,0
25-way	54,5	40,0	15,0
37-way	71,0	40,0	15,0

**Ordering information:**

**D-Sub Connector Kits (100 inserts min.)**

Size:	P/N - Kitted:	Product Code - MALE Conn. Kit
HD 15	6355-0014-01	DPPK09-M-HDP15-K
HD 26	6355-0014-02	DPPK09-M-HDP26-K
HD 44	6355-0014-03	DPPK09-M-HDP44-K
HD 62	6355-0014-04	DPPK09-M-HDP62-K

Size:	P/N - Kitted:	Product Code - FEMALE Conn. Kit
HD 15	6355-0014-11	DPPK09-M-HDS15-K
HD 26	6355-0014-12	DPPK09-M-HDS26-K
HD 40	6355-0014-13	DPPK09-M-HDS44-K
HD 62	6355-0014-14	DPPK09-M-HDS62-K