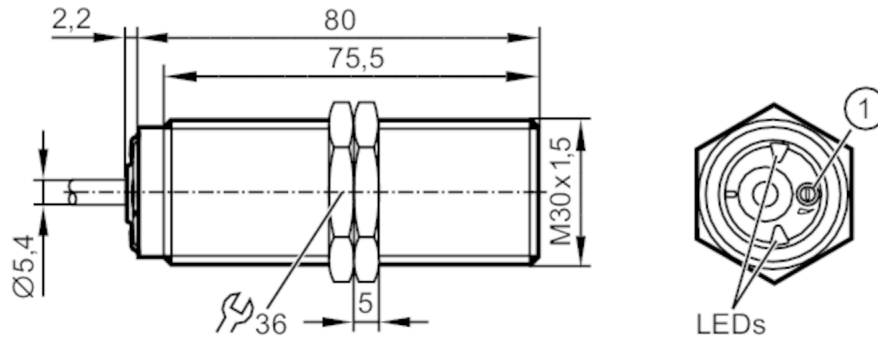


DI5020



Compact evaluation unit for speed monitoring

DIA3010-ZPKG



1 potentiometer



Application	
Application	simple evaluation of rotating and linear movement with regard to underspeed; blocking
Electrical data	
Nominal voltage DC [V]	10...36
Current consumption [mA]	< 20
Protection class	III
Reverse polarity protection	yes
Outputs	
Total number of outputs	1
Electrical design	PNP
Output function	normally open
Max. voltage drop switching output DC [V]	2.5
Permanent current rating of switching output DC [mA]	250
Short-time current rating of switching output [mA]	250
Short-circuit proof	yes
Overload protection	yes
Monitoring range	
Sensing range [mm]	10
Sensing range adjustable	no
Operating distance [mm]	0...8.1
Measuring/setting range	
Setting range [Imp/min]	5...3600
Accuracy / deviations	
Correction factor	steel: 1 / stainless steel: 0.7 / brass: 0.5 / aluminum: 0.4 / copper: 0.3
Hysteresis [% of Sr]	10
Reaction times	
Start-up delay [s]	15
Max. damping frequency [Imp/min]	18000

DI5020

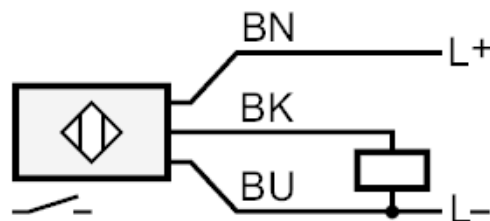


Compact evaluation unit for speed monitoring

DIA3010-ZPKG

Software / programming		
Adjustment of the switch point		multiturn potentiometer
Operating conditions		
Ambient temperature	[°C]	-25...80
Protection		IP 65; IP 67
Tests / approvals		
MTTF	[years]	656
Mechanical data		
Weight	[g]	304.5
Housing		Threaded type
Mounting		flush mountable
Dimensions	[mm]	M30 x 1.5 / L = 80
Thread designation		M30 x 1.5
Material		brass special coating; PA; TPE-U
Displays / operating elements		
Display	Switching status	1 x LED, green
Accessories		
Accessories (supplied)		lock nuts: 2
Electrical connection		
Cable: 2 m, PUR; 3 x 0.5 mm ²		

Connection



Core colors :

BK = black

BN = brown

BU = blue