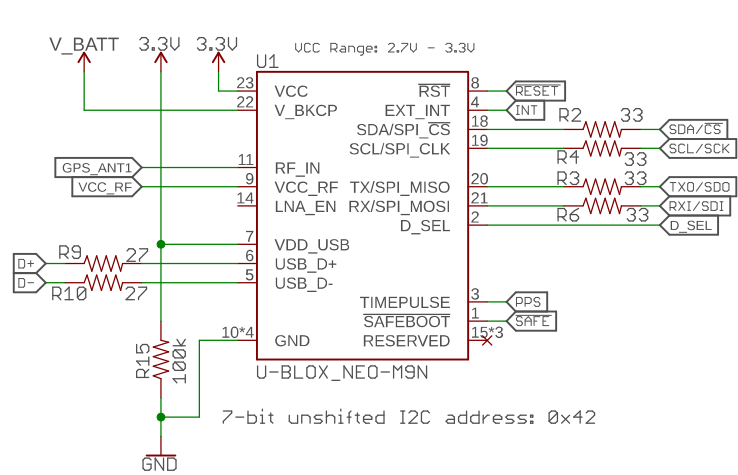
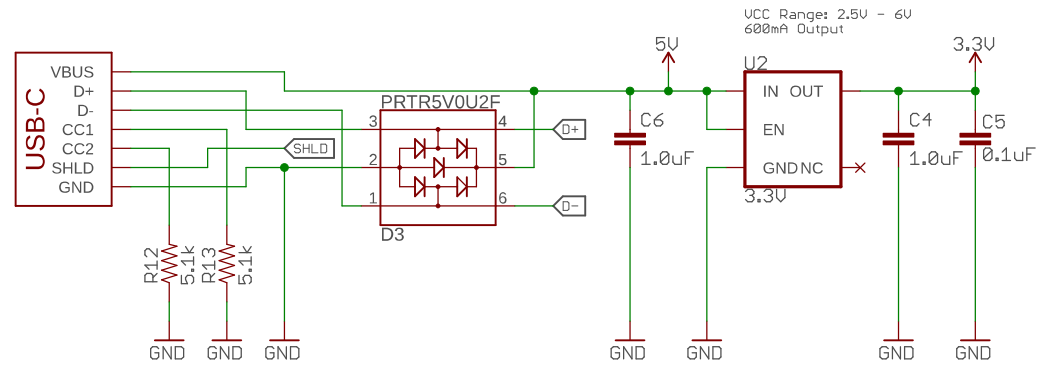


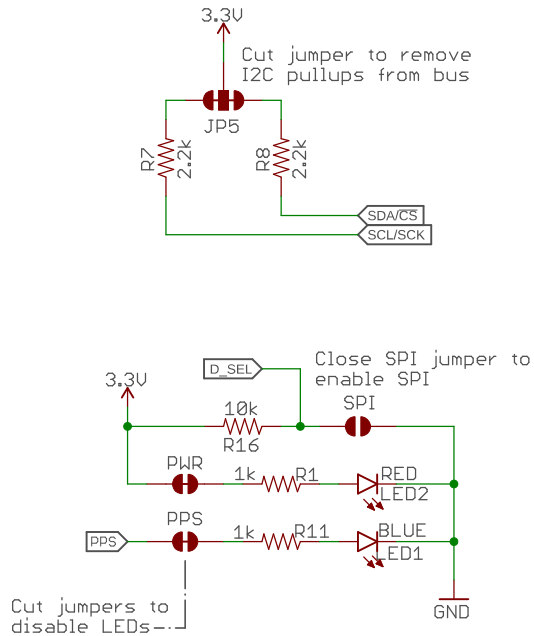
GPS: u-Blox NEO-M9N



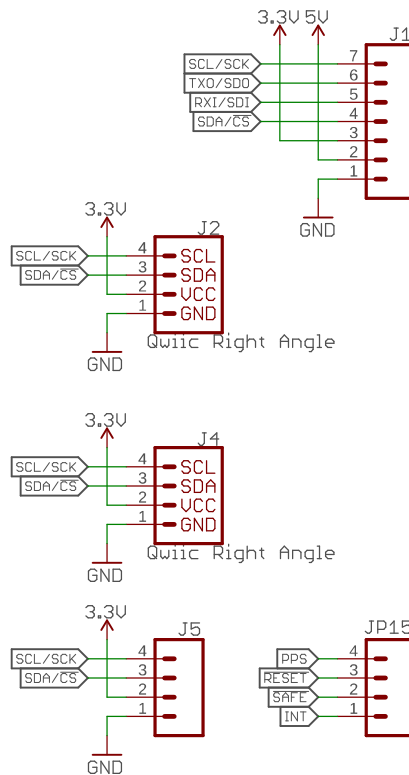
USB Connector - Power



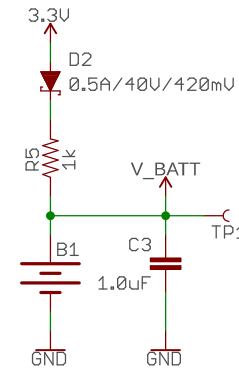
LEDs and Jumpers



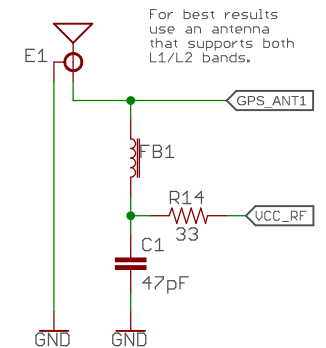
Headers



Hot Start Battery



SMA Connector



Released under the Creative Commons

Attribution Share-Alike 4.0 License

<https://creativecommons.org/licenses/by-sa/4.0/>



TITLE: SparkFun GPS NEO_M9N_SMA

Design by: Elias Santistevan

REV:
U10

Date: 11/23/2020 2:32 PM

Sheet: 1/1