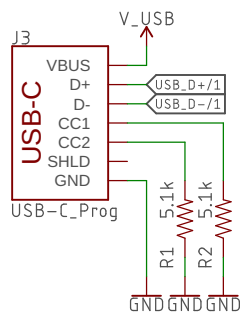
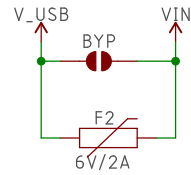


USB-C



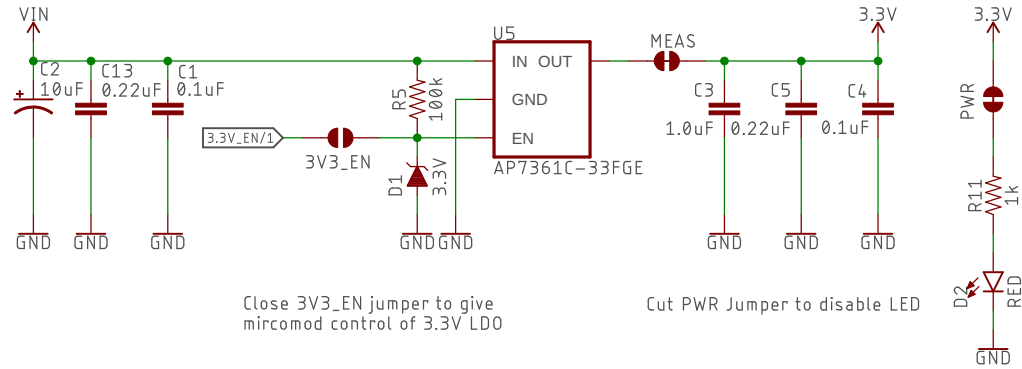
This is the penny-in-the-fuse jumper.
Close only if you know what you're doing.



Voltage Regulation

6V Max

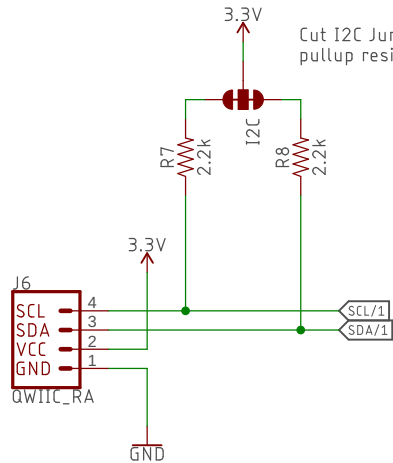
Cut the MEAS jumper to measure the current on the 3.3V power rail.



Close 3V3_EN jumper to give mircomod control of 3.3V LDO

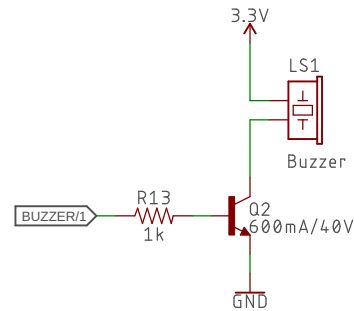
Cut PWR Jumper to disable LED

Qwiic

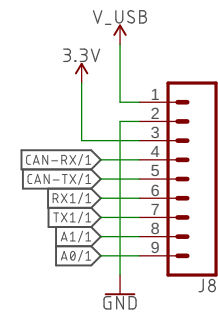


Cut I2C Jumper to disable pullup resistors

Buzzer



I/O Connector



Released under the Creative Commons
Attribution Share-Alike 4.0 License
<https://creativecommons.org/licenses/by-sa/4.0/>

TITLE: SparkFun_MicroMod_Input_and_Display_Carrier

Design by: Alex Wende

REV:
>REV

Date: 9/14/2020 12:41 PM

Sheet: 2/2