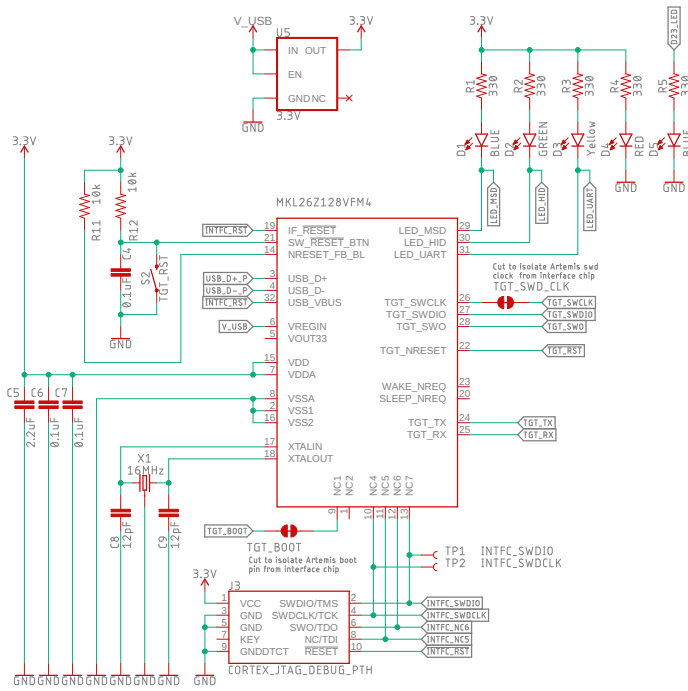
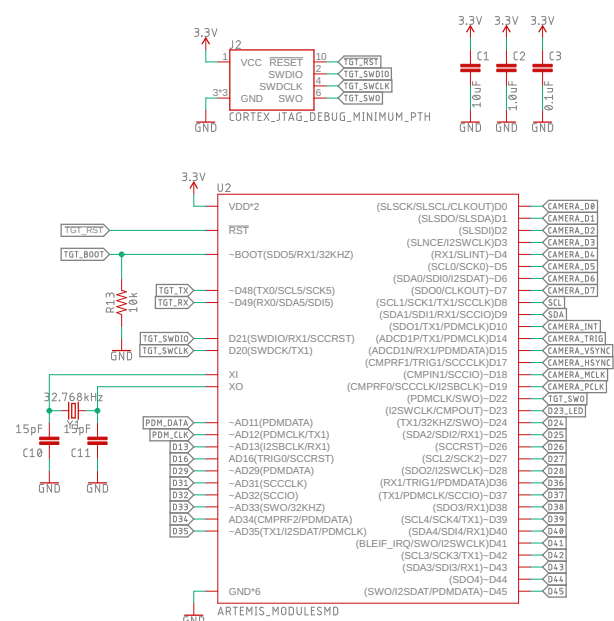


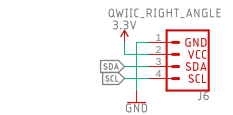
Interface MCU – MKL26Z



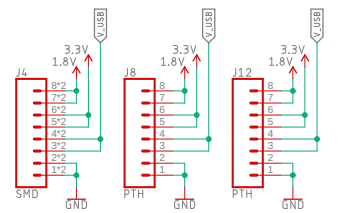
Target – Artemis Module (Apollo3)



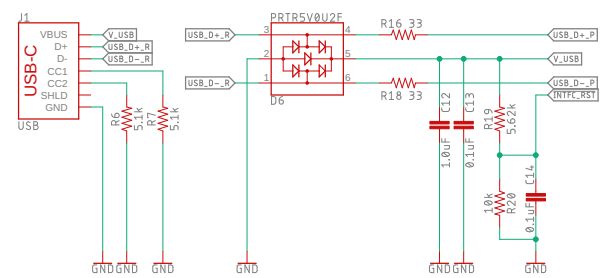
Connectors



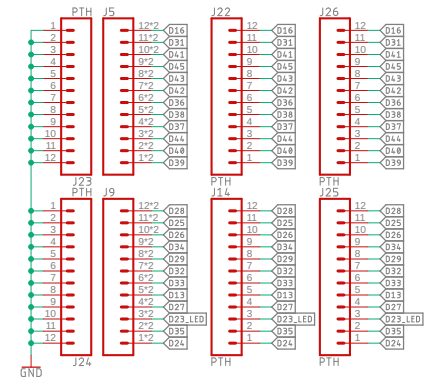
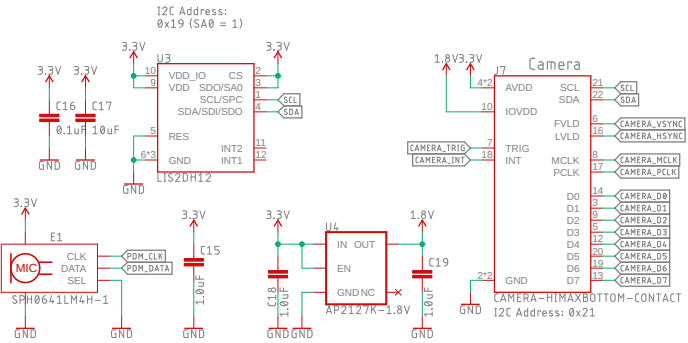
power rail intended for output only



USB



Sensors



Released under the Creative Commons Attribution Share-Alike 4.0 License <https://creativecommons.org/licenses/by-sa/4.0/>

TITLE: ArtemisDevKit
 Design by: Owen Lyke, Kyle Wenner
 Date: 8/13/2020 7:52 AM
 REV: v10
 Sheet: 1/1