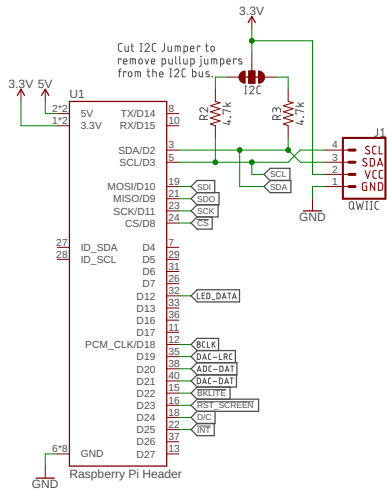
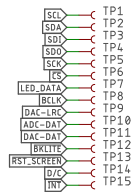


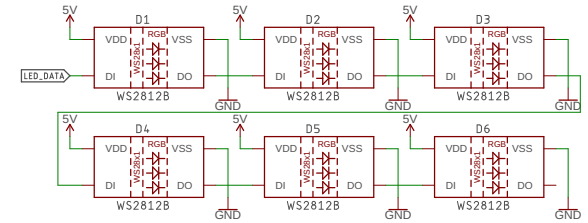
40-Pin Raspberry Pi Connector



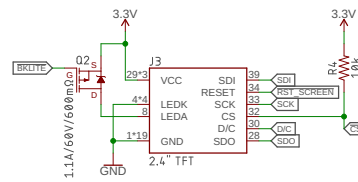
Test Points



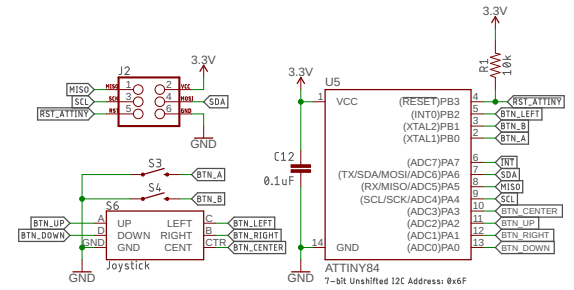
WS2812 LED's



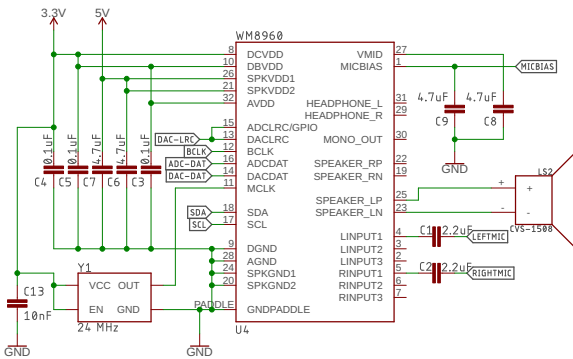
Screen



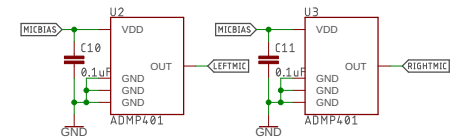
ATTiny Button Master



Audio Codec



Microphones



Released under the Creative Commons Attribution Share-Alike 4.0 License
<https://creativecommons.org/licenses/by-sa/4.0/>

TITLE: Top pHAT

Design by: Andy England REV: v10

Date: 04/16/2020 02:33 PM Sheet: 1/1