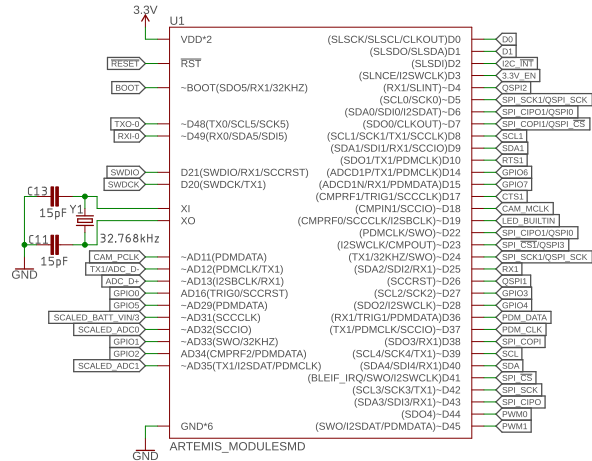
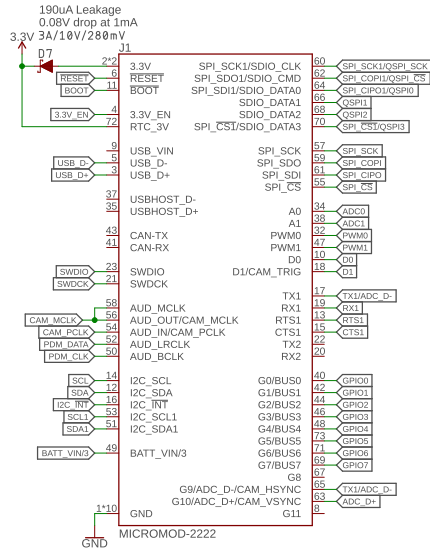


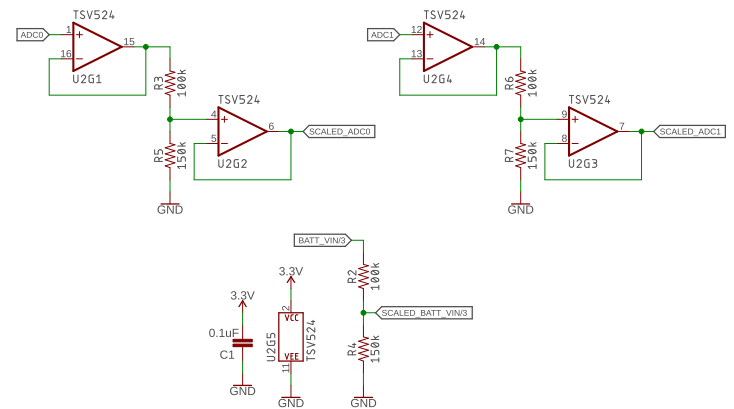
Artemis



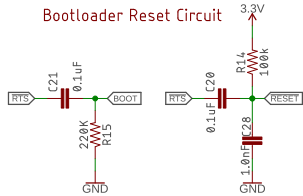
MicroMod Connector



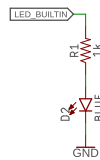
3.3V to 2V Scaling



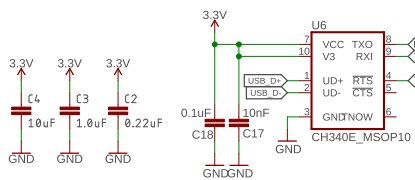
Bootloader Reset Circuit



Status LED



USB-to-Serial Converter



Released under the Creative Commons Attribution Share-Alike 4.0 License https://creativecommons.org/licenses/by-sa/4.0/		Special Instructions
TITLE: MicroMod-Artemis-ProcessorBoard		REV: v1.6
Design by: N. Seidle		Date: 10/17/2020 9:26 PM
Date: 10/17/2020 9:26 PM		Sheet: 1/1