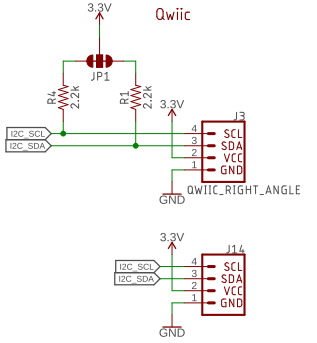
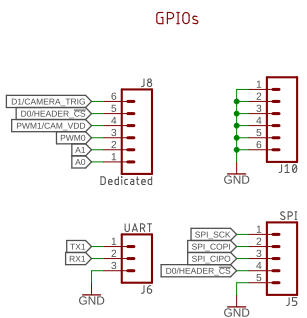
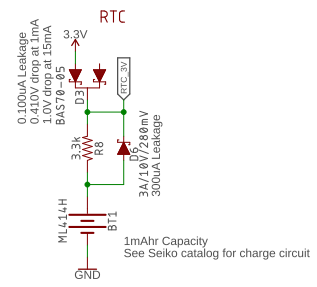
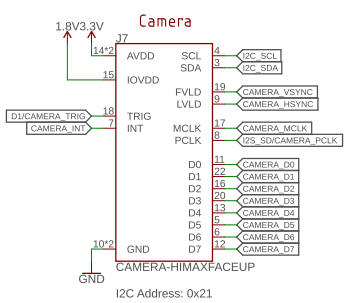
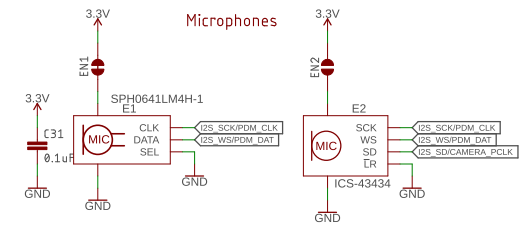
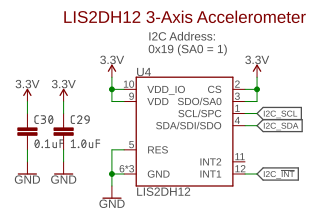
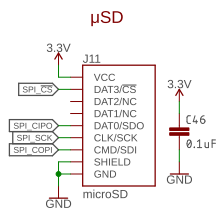
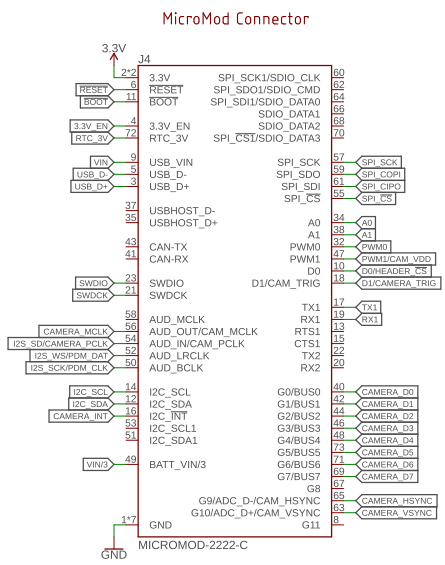
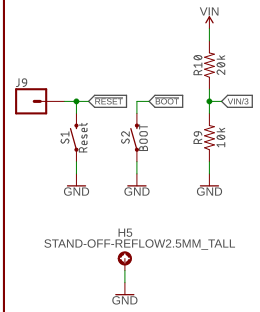
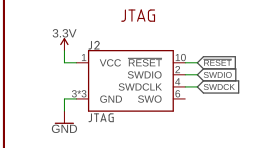
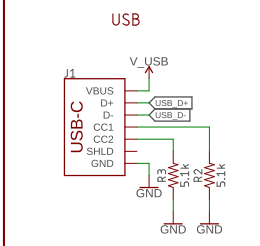
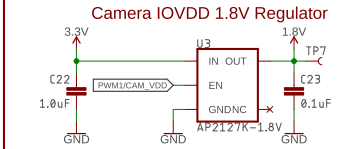
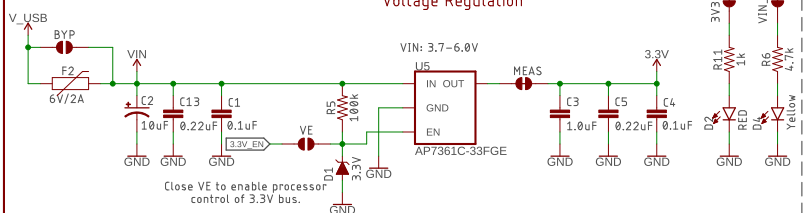


Closing Jumper bypasses PTC to allow >2A current flows.



Released under the Creative Commons Attribution Share-Alike 4.0 License
<https://creativecommons.org/licenses/by-sa/4.0/>

TITLE: MachineLearning-MM-Carrier

Design by: N. Seidle

REV: v12

Date: 10/12/2020 1:18 PM

Sheet: 1/1

Be careful providing external 3.3V here as it may compete with the 3.3V regulator.