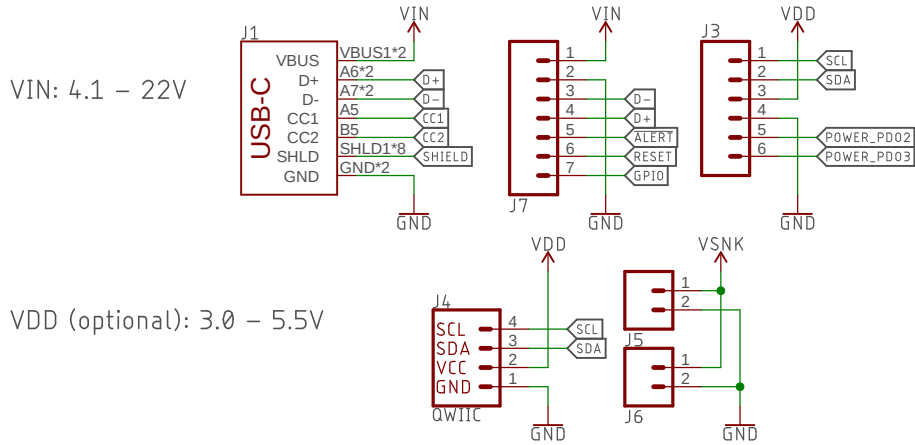
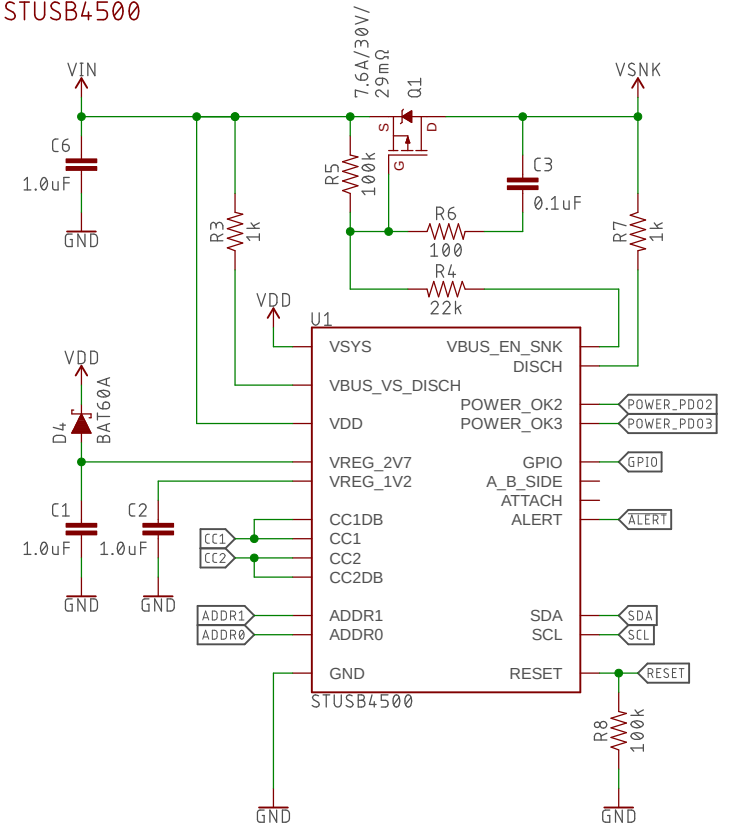


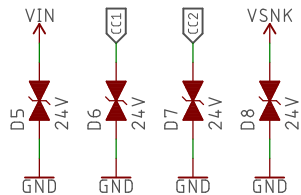
Connectors



STUSB4500



ESD Protection

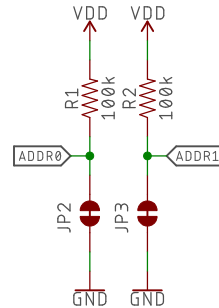


I2C Address Jumpers

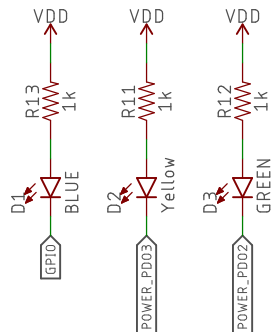
ADDR0 and ADDR1 sets I2C address:

ADDR0	ADDR1	Address
0	0	0x28*
1	0	0x29
0	1	0x2A
1	1	0x2B

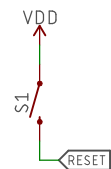
* Default Address
0: Jumper Closed
1: Jumper Open



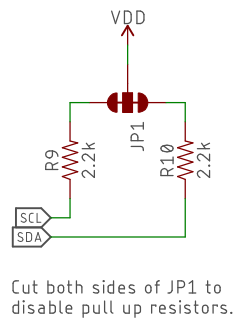
LEDs



Reset Switch



I2C Pull-Up



Released under the Creative Commons Attribution Share-Alike 4.0 License
<https://creativecommons.org/licenses/by-sa/4.0/>

TITLE: SparkFun_STUSB4500_USB-PD

Design by: Alex Wende

REV:
v10

Date: 2/6/2020 12:40 PM

Sheet: 1/1