

A

B

C

D

E

F

A

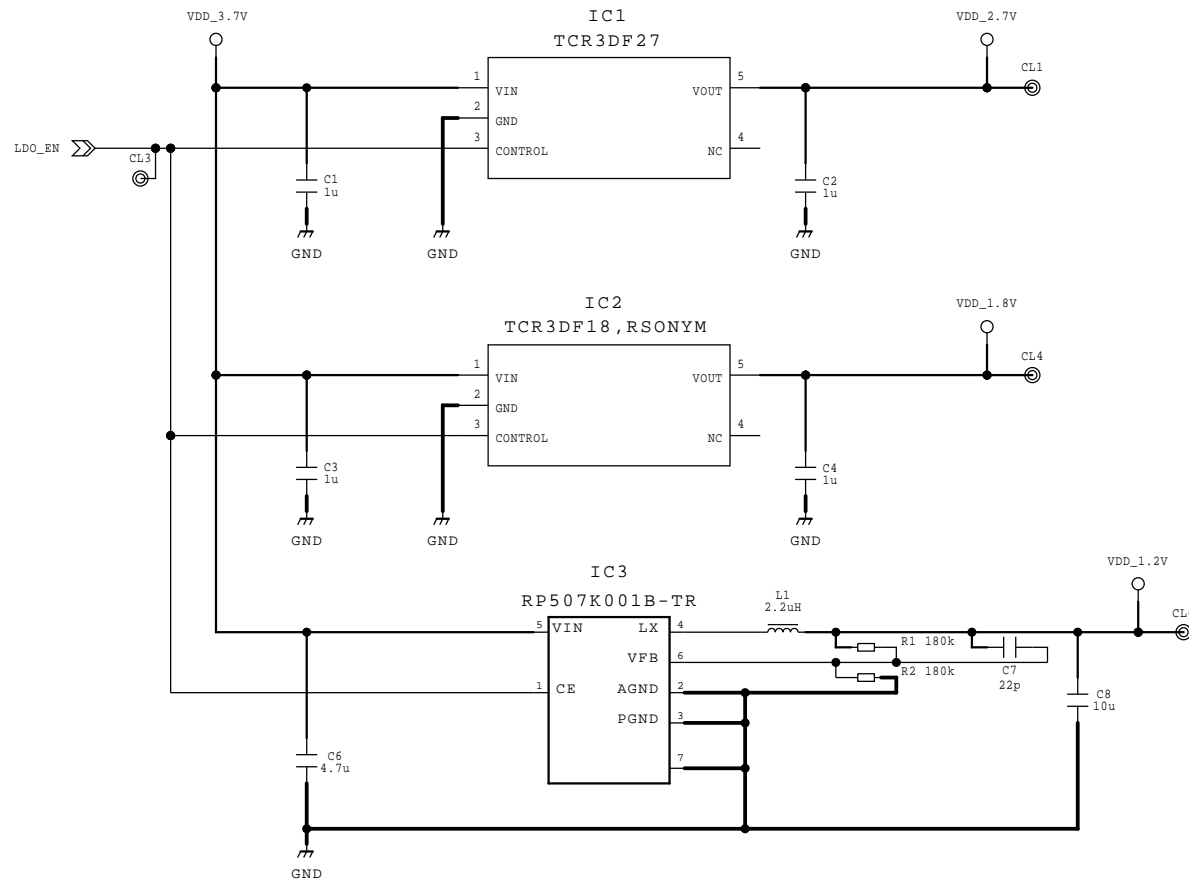
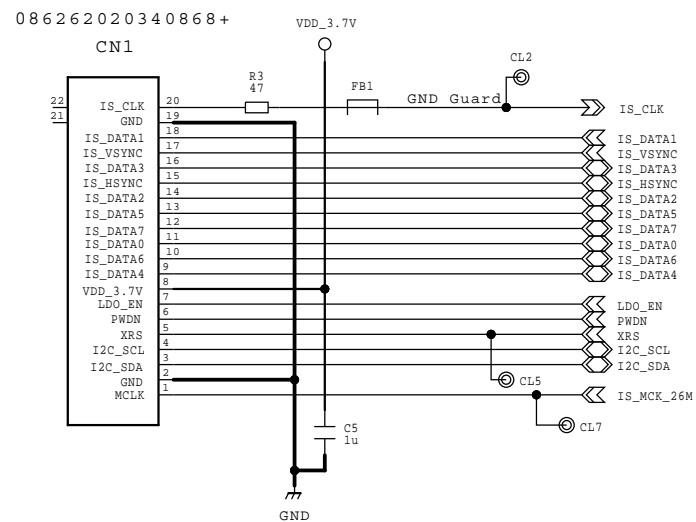
B

C

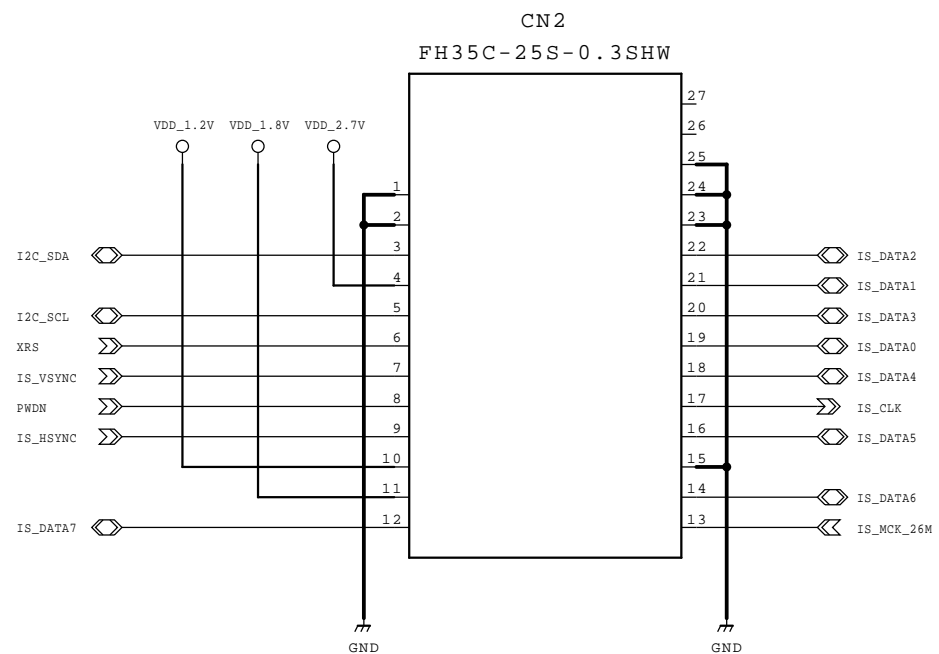
D

E

F



for Kingcome Module



Note) "XX" stands for NM

△ 3 X				GENERAL TOLERANCE		DATE OF ISSUE	
△ 2 X						DOCUMENT TYPE	
△ 1 X						CIRCUIT DIAGRAM	
HISTORY X COUNT		SUFFIX /REPL.		RELEASE NO. DATE		REVISION	
LEGAL OWNER				SIGN.		MATERIAL (COLOR)	
						FINISH (COLOR)	
						2018.7.19	
RESPONSIBLE DEPARTMENT				SIZE	UNIT	ORIGINAL MODEL	DESCRIPTION (E)
PLANNED BY				A3	mm	SPRESENSE	Camera Board (CXD5602PWBCAM1)
CHECKED BY				SCALE	TENTATIVE MODEL	DESCRIPTION (J)	
APPROVED BY				PRJ.METHOD	TENTATIVE PART NO.	PART NO.	SHEET/PAGES
DRAWN BY							1/1