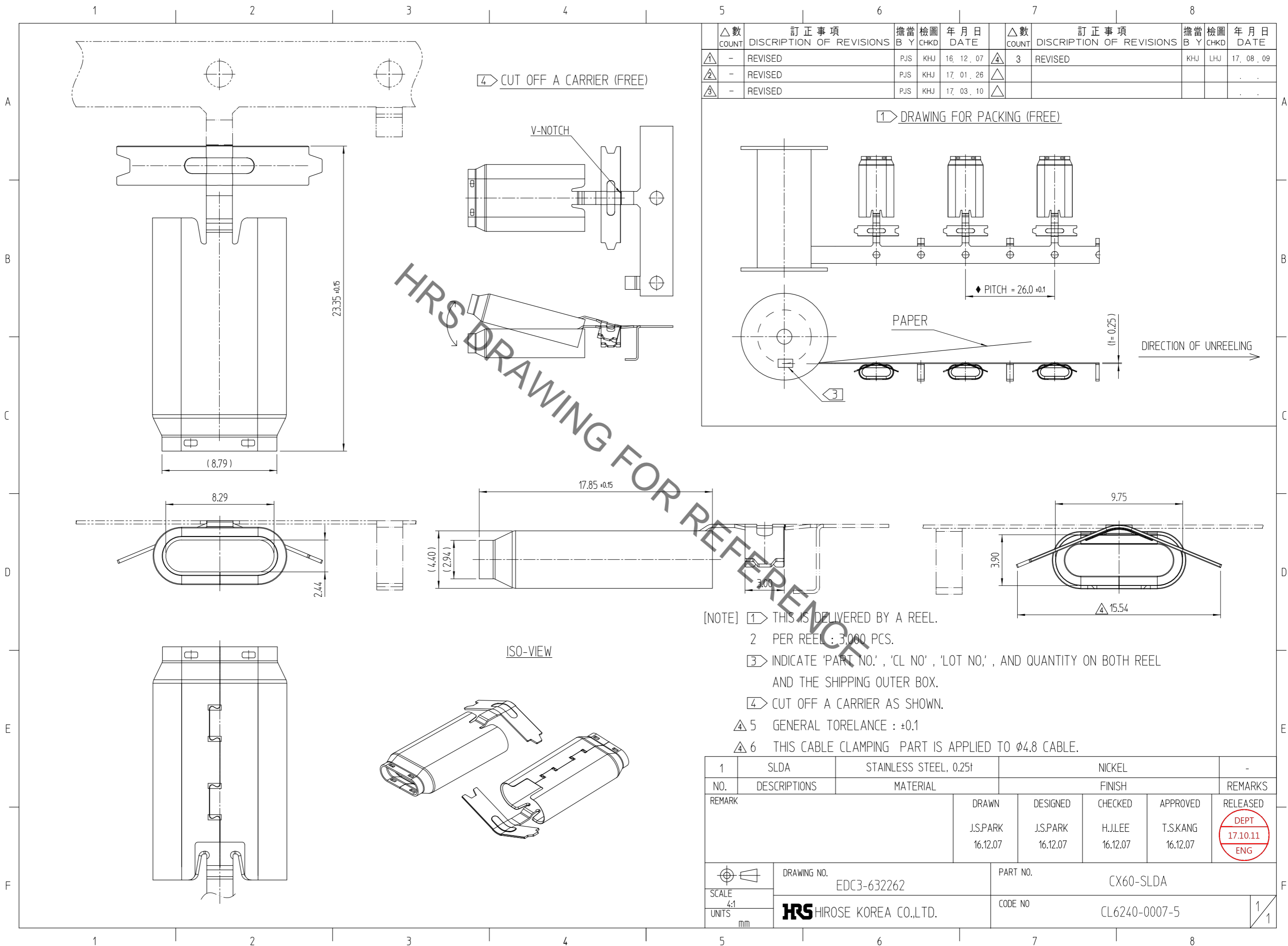
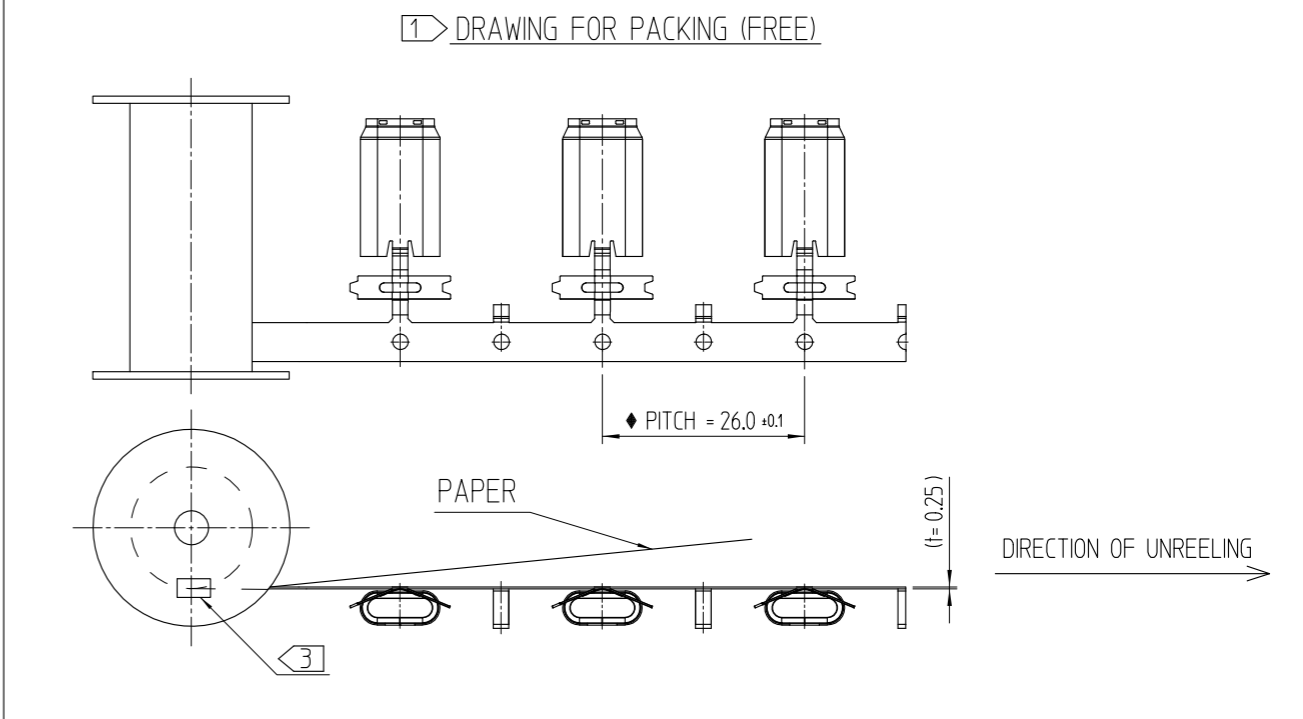


Apr.1.2019 Copyright 2019 HIROSE ELECTRIC CO.,LTD. All Rights Reserved.
本製品を車載用途などの高い信頼性が求められる機器にご使用の場合は、弊社までお問合せ下さい。



| △数 COUNT | 訂正事項 DISCRIPTION OF REVISIONS | 擔當 B Y | 檢圖 CHKD | 年月日 DATE | △数 COUNT | 訂正事項 DISCRIPTION OF REVISIONS | 擔當 B Y | 檢圖 CHKD | 年月日 DATE |
|-------------|----------------------------------|-----------|------------|-------------|-------------|----------------------------------|-----------|------------|-------------|
| ① | - REVISED | PJS | KHJ | 16. 12. 07 | ④ | 3 REVISED | KHJ | LHJ | 17. 08 . 09 |
| ② | - REVISED | PJS | KHJ | 17. 01. 26 | △ | | | | |
| ③ | - REVISED | PJS | KHJ | 17. 03. 10 | △ | | | | |



[NOTE] ① THIS IS DELIVERED BY A REEL.
 ② PER REEL : 3,000 PCS.
 ③ INDICATE 'PART NO.', 'CL NO', 'LOT NO.', AND QUANTITY ON BOTH REEL AND THE SHIPPING OUTER BOX.
 ④ CUT OFF A CARRIER AS SHOWN.
 △ 5 GENERAL TORELANCE : ±0.1
 △ 6 THIS CABLE CLAMPING PART IS APPLIED TO φ4.8 CABLE.

| 1 | SLDA | STAINLESS STEEL, 0.25t | NICKEL | | | - | |
|-------------|--------------|------------------------|---------------------------|----------|---------------|----------|-------------------------|
| NO. | DESCRIPTIONS | MATERIAL | FINISH | | | REMARKS | |
| REMARK | | | DRAWN | DESIGNED | CHECKED | APPROVED | RELEASED |
| | | | J.S.PARK | J.S.PARK | H.J.LEE | T.S.KANG | DEPT 17.10.11 ENG |
| | | | 16.12.07 | 16.12.07 | 16.12.07 | 16.12.07 | |
| DRAWING NO. | EDC3-632262 | | PART NO. | | CX60-SLDA | | |
| SCALE | 4:1 | | CODE NO | | CL6240-0007-5 | | |
| UNITS | mm | | HRS HIROSE KOREA CO.,LTD. | | 1/1 | | |