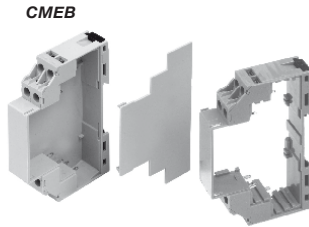


# ENCLOSURES

## Extendable Module Box

- 17.5mm width module box, extendable
- Box has a detachable end plate
- Extension box is sideless
- Each module, has 8 removable screw terminals
- Top hat 35mm DIN rail or surface mounting
- Moulded in flame retardant UL94-V0

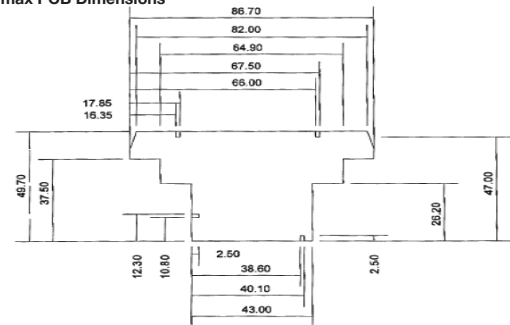


TYPE NO.	DESCRIPTION
CMEB	17.5mm Module box
CMEB/E	Extension

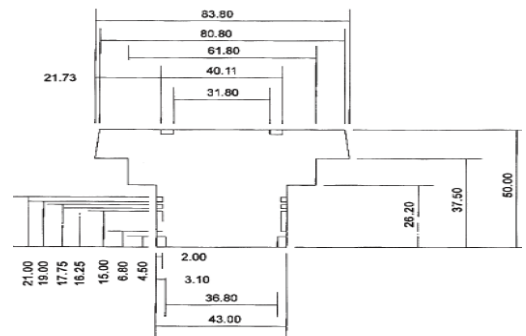
### SPECIFICATION

Rating Terminals	8A/250VAC
Cable entry	2x2.5mm <sup>2</sup> Solid or Standard
Terminal protection	IP20

#### CMEB max PCB Dimensions

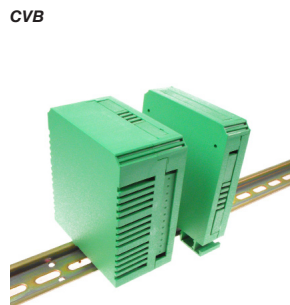


#### CMEB/E max PCB Dimensions



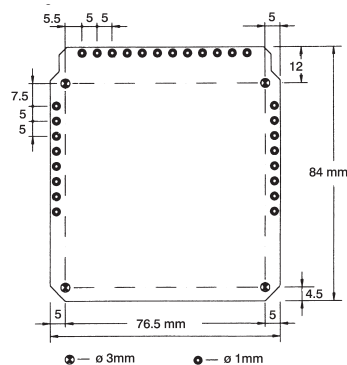
## Vertical Box for DIN Rail

- Designed for 5mm pitch terminal blocks
- Two sizes, 22.5mm or 45mm wide
- Solid & perforated plates to cover unused terminal areas
- Three sides accept 12-way terminal blocks each side
- Complete box contains one 12-way closed, three 4-way closed & three 4-way perforated plates



### SPECIFICATION

Rating Terminals	8A/250VAC
Cable entry	2x2.5mm <sup>2</sup> Solid or Standard
Terminal protection	IP20



TYPE NO.	DESCRIPTION	SIZE
CVB225/KIT	Complete plastic box	22.5x82x90mm
CVB450/KIT	Complete plastic box	45x82x90mm
CVBPF4	4 way perforated	CVB VENT PLATE
CVBPP4	4 way closed plate	CVB BLIND PLATE
CVBPP12	12 way closed plate	CVB BLIND PLATE LONG
CVBMSC	Prototyping Blank PCB	