



Wire Protection & Management > Heat Shrink Molded Shapes > Heat Shrink Boots > Bulbous Heat Shrink Boots: Lipped, Right Angle



Molded Part Angle: **90 °**

Molded Part Shape Code: **222**

Lipped: **Yes**

Material Code: **25**

Heat Shrink Boot Material Systems Code: **25**

[All Bulbous Heat Shrink Boots: Lipped, Right Angle \(216\)](#)

## Features

### Product Type Features

Molded Part Angle	90 °
-------------------	------

### Configuration Features

Lipped	Yes
--------	-----

### Body Features

Material Code	25
Heat Shrink Boot Material Systems Code	25
Adhesive Pre-Coat	No
Material	Fluid Resistant Modified Elastomer

### Dimensions

Wire/Cable Outside Diameter	.7 in, .787 in, .87 in, .94 in, 1.02 in, 1.1 in, 1.18 in, 18 mm, 20 mm, 22 mm, 24 mm, 26 mm, 28 mm, 30 mm
Connector or Backshell Outside Diameter	1.5 in, 1.57 in, 1.69 in, 1.8 in, 1.93 in, 2.05 in, 38 mm, 40 mm, 43 mm, 46 mm, 49 mm, 52 mm
Cable Diameter Range	15.7 – 35 mm [.618 – 1.378 in]

### Usage Conditions

Operating Temperature Range	-75 – 150 °C [-103 – 302 °F]
-----------------------------	------------------------------



### Operation/Application

Power Cable Accessory	No
-----------------------	----

### Other

Molded Part Shape Code	222
------------------------	-----

Fluid & Chemical Resistance	Long-Term Fluid Exposure at High Temperatures
-----------------------------	---

Adhesive Type	Adhesive Purchased Separately
---------------	-------------------------------

### Product Compliance

[For compliance documentation, visit the product page on TE.com>](#)

EU RoHS Directive 2011/65/EU	Compliant
------------------------------	-----------

EU ELV Directive 2000/53/EC	Compliant
-----------------------------	-----------

China RoHS 2 Directive MIIT Order No 32, 2016	No Restricted Materials Above Threshold
---	---

EU REACH Regulation (EC) No. 1907/2006	Current ECHA Candidate List: JAN 2022 (223) Candidate List Declared Against: JAN 2022 (223) Does not contain REACH SVHC
--	---

Halogen Content	Not Low Halogen - contains Br or Cl > 900 ppm.
-----------------	--

Solder Process Capability	Not applicable for solder process capability
---------------------------	--

#### Product Compliance Disclaimer

This information is provided based on reasonable inquiry of our suppliers and represents our current actual knowledge based on the information they provided. This information is subject to change. The part numbers that TE has identified as EU RoHS compliant have a maximum concentration of 0.1% by weight in homogenous materials for lead, hexavalent chromium, mercury, PBB, PBDE, DBP, BBP, DEHP, DIBP, and 0.01% for cadmium, or qualify for an exemption to these limits as defined in the Annexes of Directive 2011/65/EU (RoHS2). Finished electrical and electronic equipment products will be CE marked as required by Directive 2011/65/EU. Components may not be CE marked. Additionally, the part numbers that TE has identified as EU ELV compliant have a maximum concentration of 0.1% by weight in homogenous materials for lead, hexavalent chromium, and mercury, and 0.01% for cadmium, or qualify for an exemption to these limits as defined in the Annexes of Directive 2000/53/EC (ELV). Regarding the REACH Regulation, the information TE provides on SVHC in articles for this part number is based on the latest European Chemicals Agency (ECHA) 'Guidance on requirements for substances in articles' posted at this URL: <https://echa.europa.eu/guidance-documents/guidance-on-reach>

### Compatible Parts



TE Part # 657863-000  
S1125-KIT-8

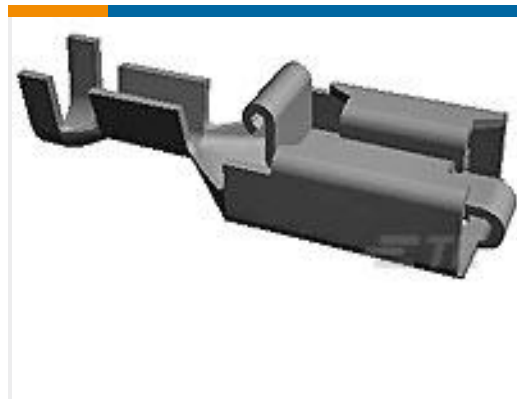


TE Part # CJ2087-000  
HL2010E-KIT-120V

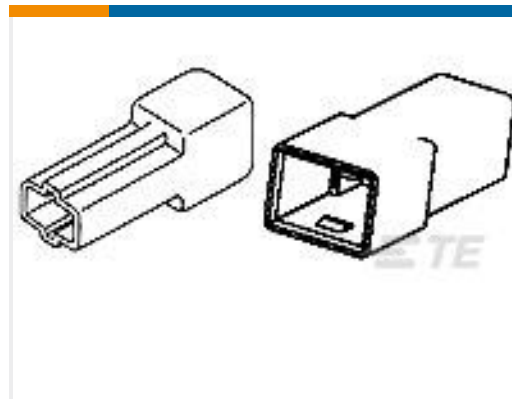
## Customers Also Bought



TE Part #878515-000  
Bulbous Heat Shrink Boots: Lipped,  
Right Angle



TE Part #154718-3  
PL 250 REC 0.7-2.0 MM2 0.406 TPBR



TE Part #480053-3  
FF 250 TAB HSG 1P NYLON NAT



TE Part #DTM06-3S-E007  
PLG, 3P, GRY, N, XCAP



TE Part #3-1393303-4  
V23134B1052C642-EV-CBOX



TE Part #38941-16  
CONTACTS



TE Part #8721666001  
DR-25-1/4-0-FAR-10M



TE Part #1456946001  
DR-25-1/2-0-FAR-7M



TE Part #8709506001  
DR-25-3/4-0-FAR-5M

## Documents

### Product Drawings

[222K174-25L-0](#)

English

### Datasheets & Catalog Pages

[1654025\\_Sec4\\_-25](#)

English

[Raychem Molded Parts Visual Guide](#)

English



---

**Product Specifications**

RAYCHEM BRAND MOULDED COMPONENTS, LIGHT WEIGHT, FLAME RETARDED, SEMI-RIGID, HEAT SHRINKABLE, ELASTOMER (-25L)

English

---

**Product Environmental Compliance**

[Safety Datasheet](#)

[Safety Datasheet](#)

[Safety Datasheet](#)

English

[Safety Datasheet](#)

French

[Safety Datasheet](#)

German

[Safety Datasheet](#)

[Safety Datasheet](#)

[Safety Datasheet](#)

[Safety Datasheet](#)