



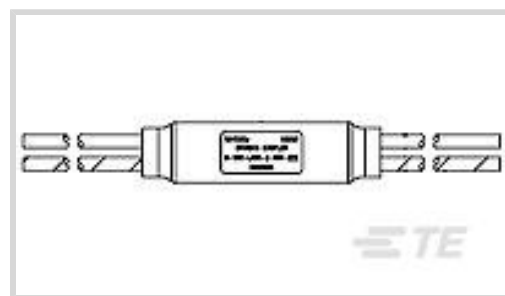
RAYCHEM

TE Internal #: CU2443-000

Data Bus Couplers, Ultra-Lightweight In-Line Microcoupler, 2 Stubs,  
Length 9.144 m [30 ft]

[View on TE.com >](#)

Cable Assemblies > Data Bus Components > Data Bus Couplers



Coupler Type: **Ultra-Lightweight In-Line Microcoupler**

Number of Stubs: **2**

Eyelet: **Without**

Cable Assembly Length: **9.144 m [ 30 ft ]**

**Features**

**Product Type Features**

Product Type	Data Bus Component
Cable Type	10612 (Single Optimized Shield Cable)
Coupler Type	Ultra-Lightweight In-Line Microcoupler

**Configuration Features**

Design	Without Internal Terminator
Number of Stubs	2
Eyelet	Without

**Other**

Cable Assembly Length	9.144 m[30 ft]
-----------------------	----------------

**Product Compliance**

[For compliance documentation, visit the product page on TE.com>](#)

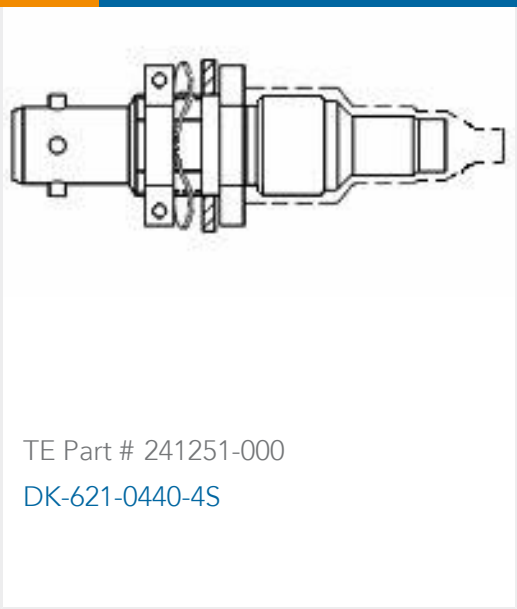
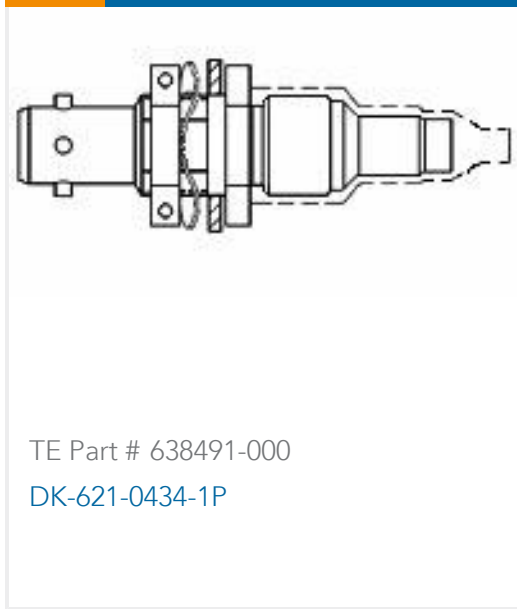
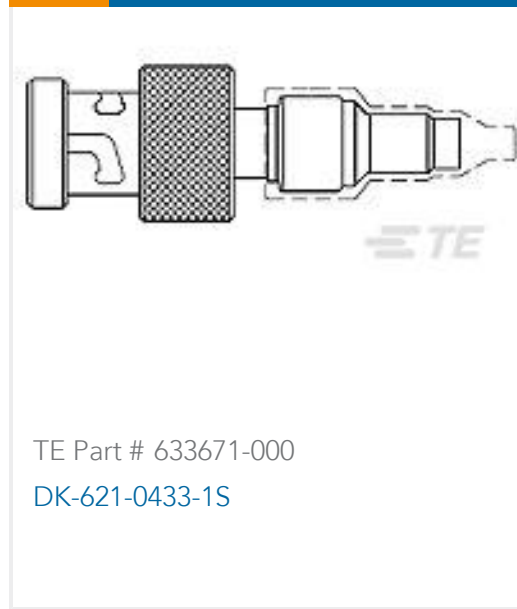
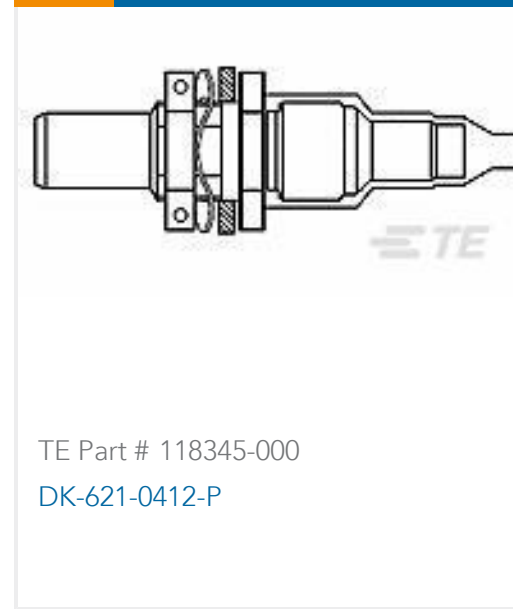
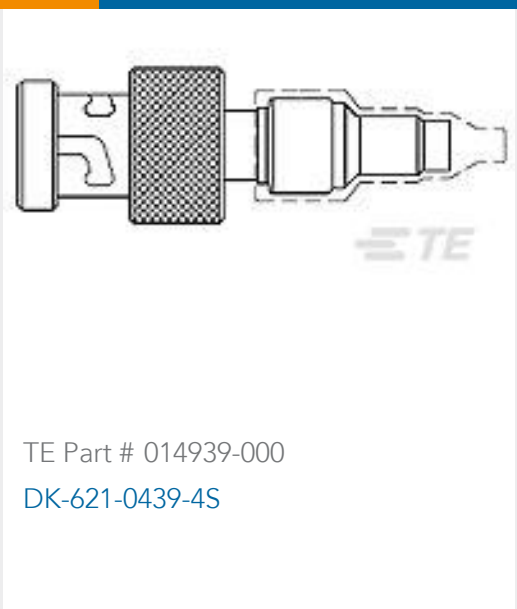
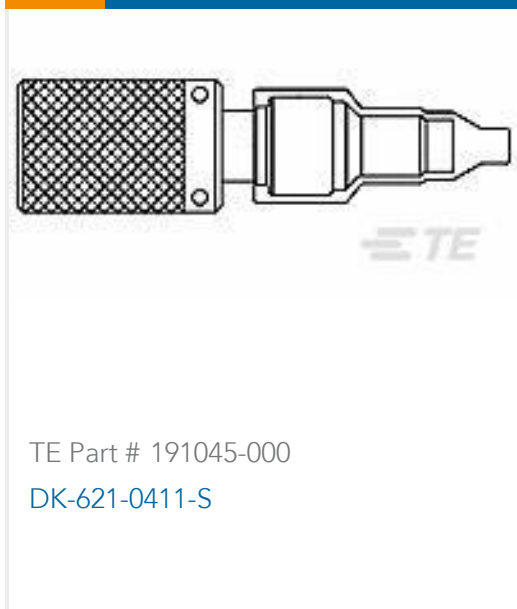
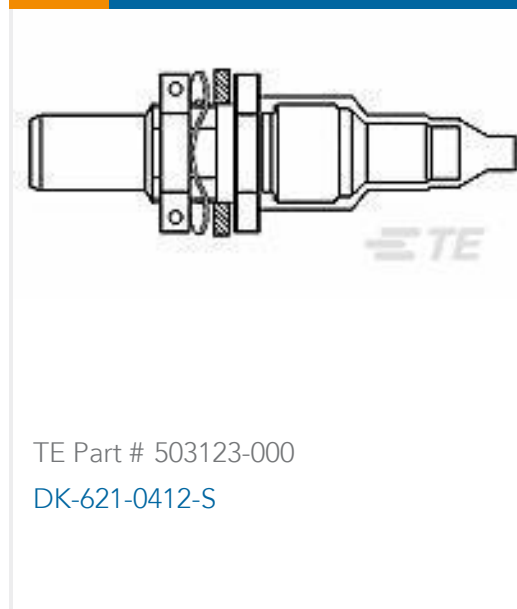
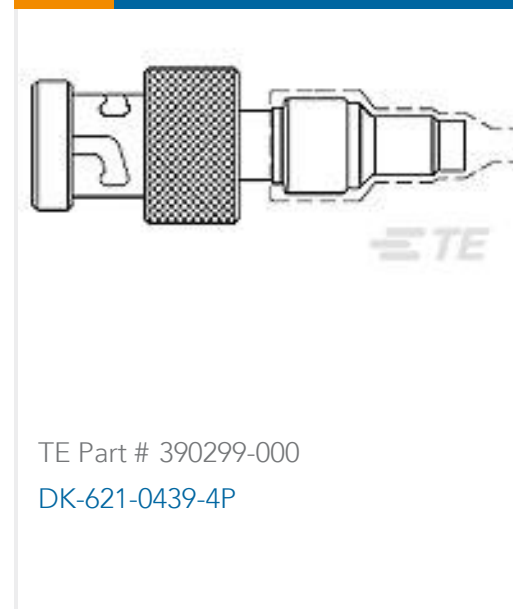
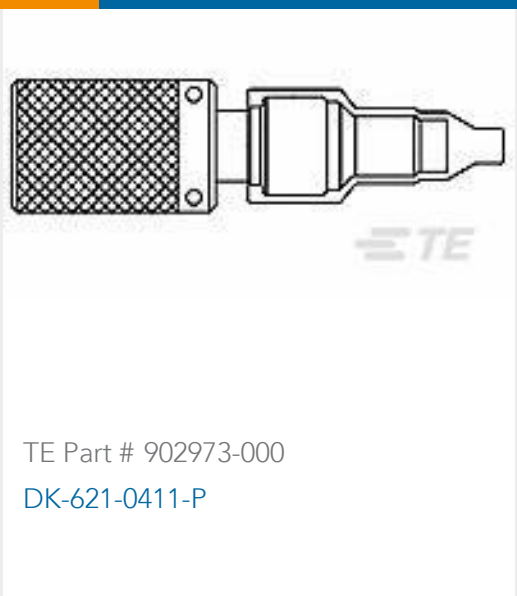
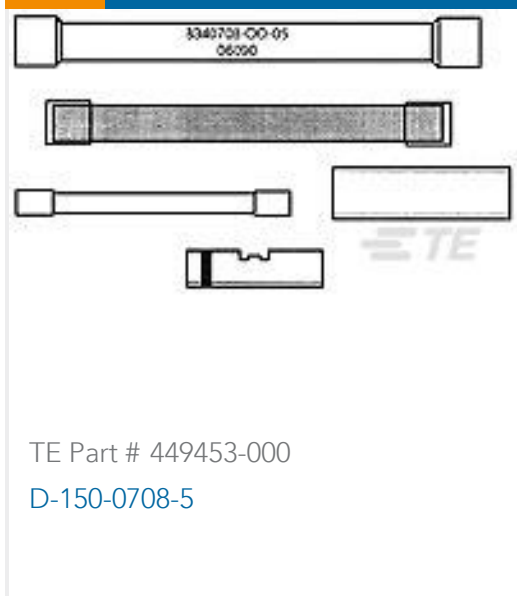
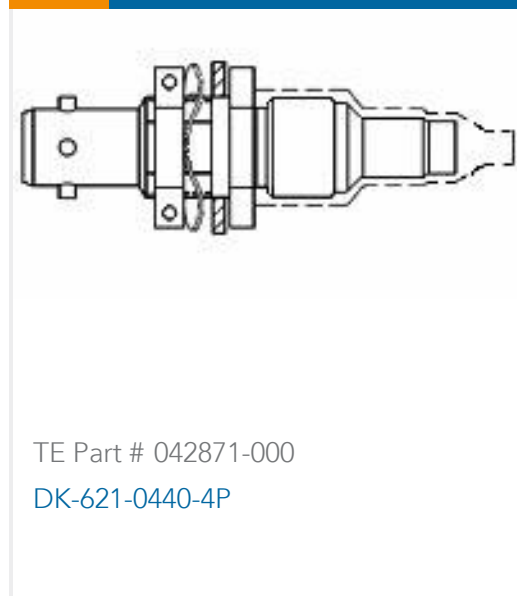
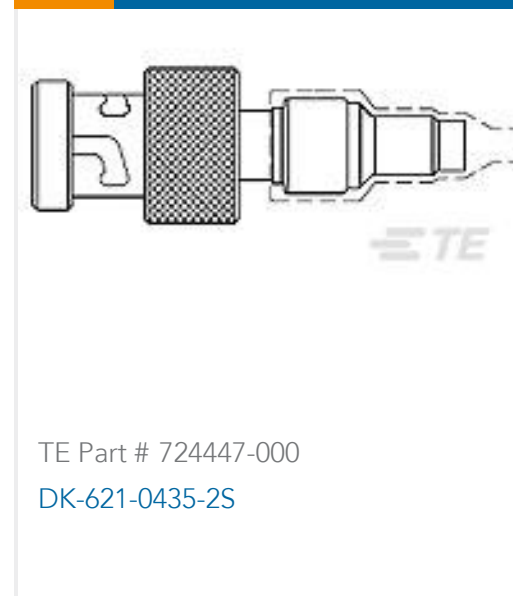
EU RoHS Directive 2011/65/EU	Compliant
EU ELV Directive 2000/53/EC	Compliant
China RoHS 2 Directive MIIT Order No 32, 2016	No Restricted Materials Above Threshold
EU REACH Regulation (EC) No. 1907/2006	Current ECHA Candidate List: JUNE 2022 (224) Candidate List Declared Against: JUL 2021 (219) SVHC > Threshold: Not Yet Reviewed

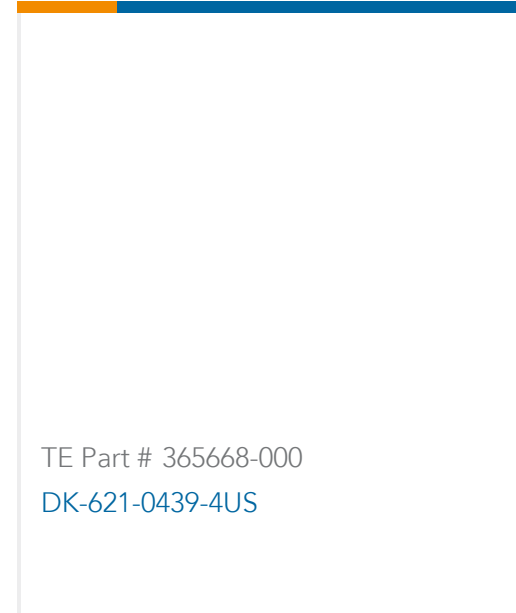
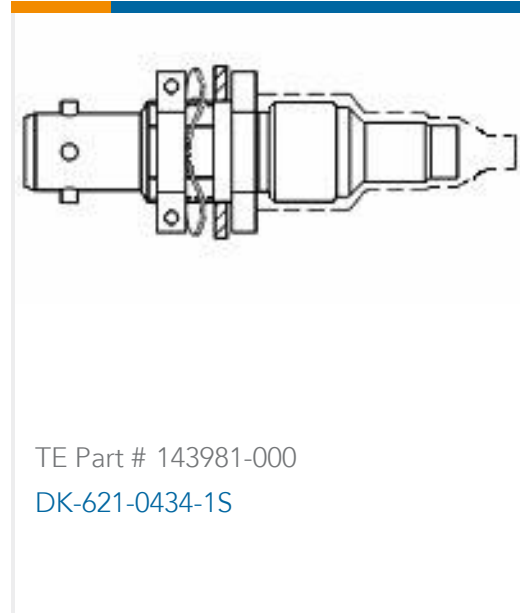
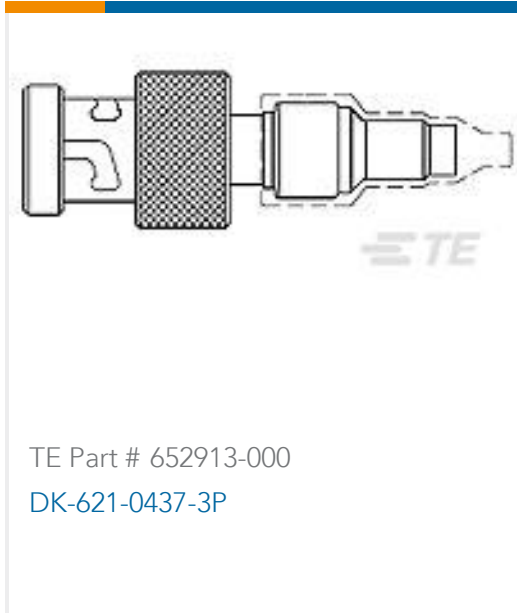
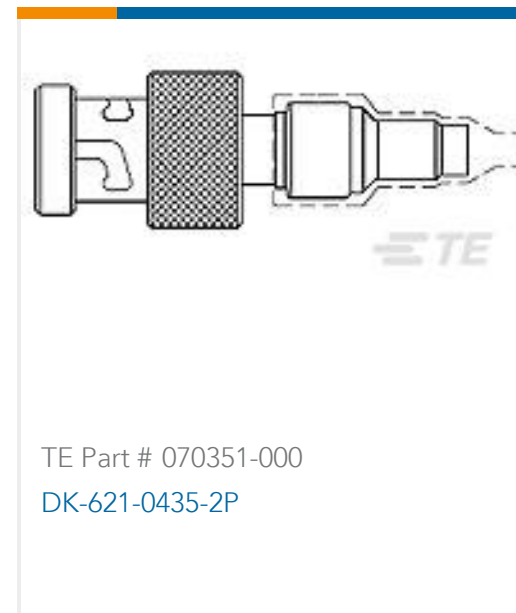
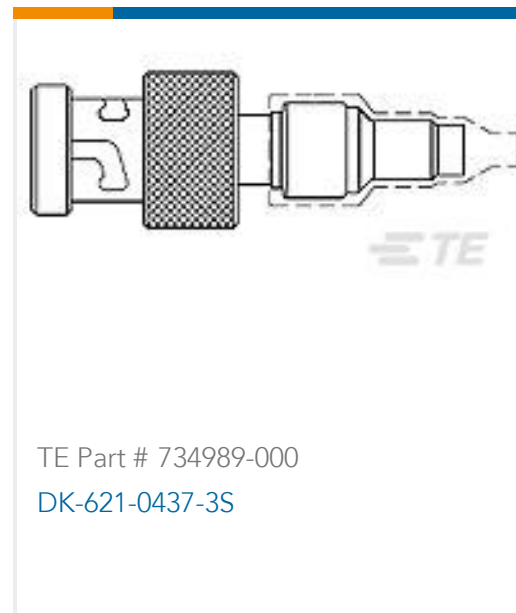
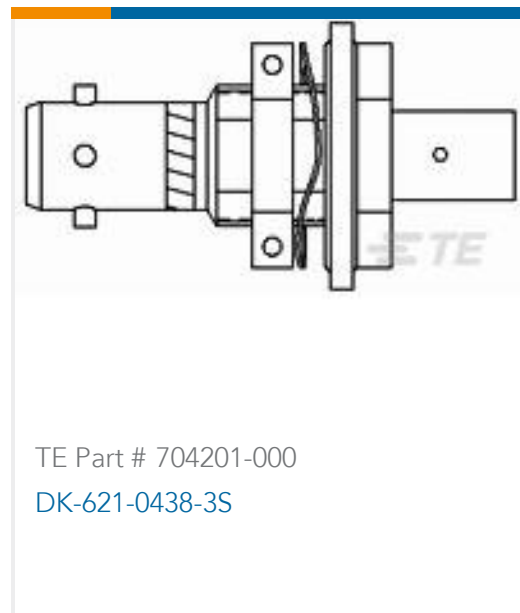
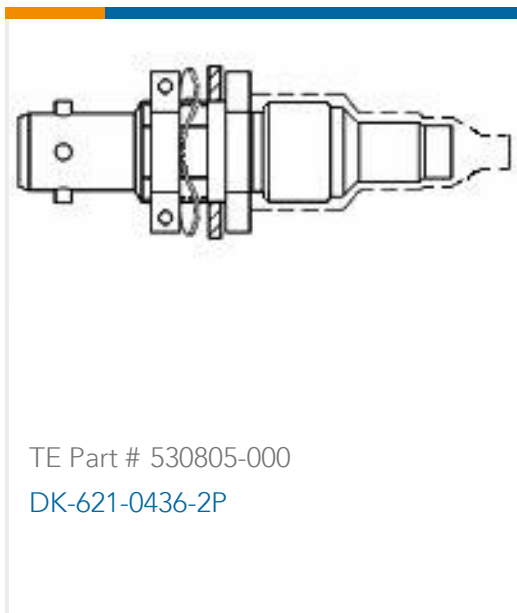
Halogen Content	Low Halogen - Br, Cl, F, I < 900 ppm per homogenous material. Also BFR/CFR/PVC Free
Solder Process Capability	Not applicable for solder process capability

Product Compliance Disclaimer

This information is provided based on reasonable inquiry of our suppliers and represents our current actual knowledge based on the information they provided. This information is subject to change. The part numbers that TE has identified as EU RoHS compliant have a maximum concentration of 0.1% by weight in homogenous materials for lead, hexavalent chromium, mercury, PBB, PBDE, DBP, BBP, DEHP, DIBP, and 0.01% for cadmium, or qualify for an exemption to these limits as defined in the Annexes of Directive 2011/65/EU (RoHS2). Finished electrical and electronic equipment products will be CE marked as required by Directive 2011/65/EU. Components may not be CE marked. Additionally, the part numbers that TE has identified as EU ELV compliant have a maximum concentration of 0.1% by weight in homogenous materials for lead, hexavalent chromium, and mercury, and 0.01% for cadmium, or qualify for an exemption to these limits as defined in the Annexes of Directive 2000/53/EC (ELV). Regarding the REACH Regulation, the information TE provides on SVHC in articles for this part number is based on the latest European Chemicals Agency (ECHA) 'Guidance on requirements for substances in articles' posted at this URL: <https://echa.europa.eu/guidance-documents/guidance-on-reach>

### Compatible Parts



### Customers Also Bought



### Documents

#### Product Drawings

D-500-L455-2-612-360

English

#### Datasheets & Catalog Pages

Data Bus Components Brochure

English