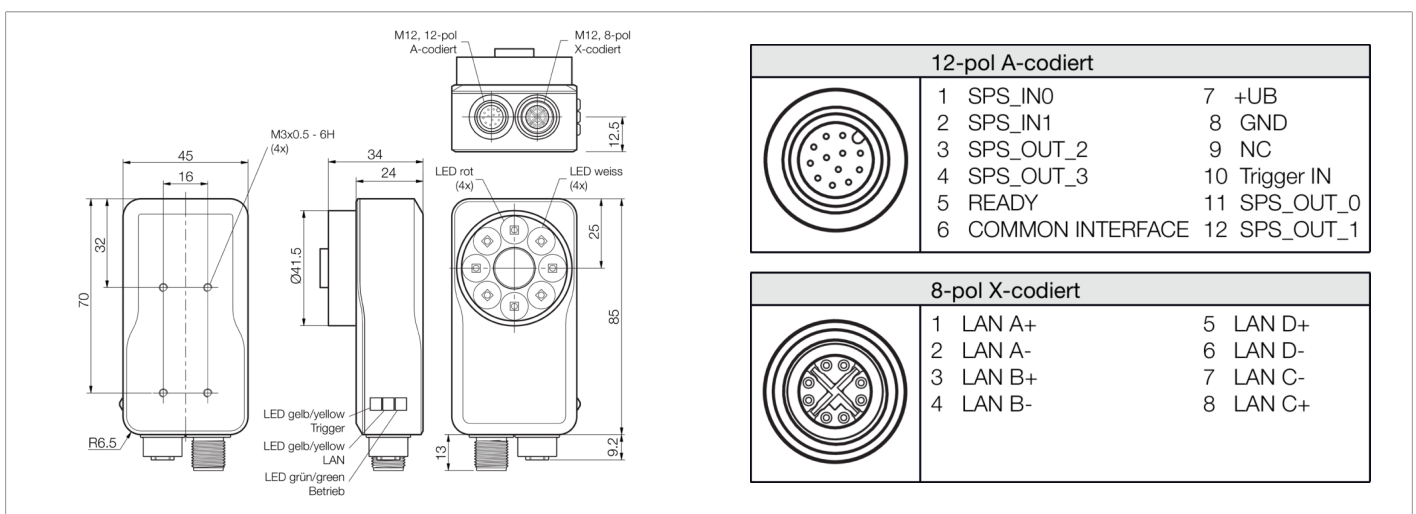




212911
CS60-BM38-EP15/300

- Inspection tasks: Localization, Parts recognition, Counting
- Upgrade option: Measure & read 1D and 2D codes
- The specialist, compact and high-performance
- High power LED illumination in red and white
- Flexible and productive Software nVision-i
- Parameter changes via linked Profinet inputs during execution
- Simple & intuitive parameterization
- Flexible working distances of 50 - 2,000 mm by changing lenses



Function											



Technical data (typ.)	+20°C, 24 V DC
Service voltage	18 ... 30 V DC
No-load current (max.)	1.000 mA (24 V DC)
Insulation voltage endurance	500 V
Housing material	Die-cast zinc (Black, powder-coated)
Material	PMMA (Window / optics)
Lens connection	S-mount
Weight	265 g
Protection class	III, operation on protective low voltage
Risk group (DIN EN 62471)	Risk group 1
Model	CS 60
Design	Cuboid design
Type	IMX273
Inspection tasks	Localization, Parts recognition, Counting
Shutter	global
Scope of delivery	CS60-BM38-EP15/300, O-S1-S-080-40, CS60-WINDOW
Internal lights	High power lighting white and red can be switched via software
Switching output	Push-pull, 150 mA
Switching output number	4 (programmable, 1 (Ready))
Voltage drop (max.)	2 V
Interface	<ul style="list-style-type: none"> ■ Ethernet ■ Digital Input/Output



212911
CS60-BM38-EP15/300

Technical data (typ.)	+20°C, 24 V DC
Protocols	TCP/IP, FTP/SFTP, Profinet
Color	Red / white switchable (internal)
Focal length	8 mm (exchangeable S-mount lens)
Optical format	1/2.9"
Resolution	1.456 x 1.088 Pixel
Working distance	50,0 ... 2.000 mm
Display	LED Green - Operation, yellow - DATA-Link yellow - Trigger
FPS - Frames Per Second (max.)	30 images/second
Flash length	< 2 ms
Ambient temperature during operation	0 ... +50 °C
Vibration/shock resistance	10 to 55 Hz / 1,0 mm / 30 g / 11 ms
Protection type	IP 67
Connection	Connector, M12, 12-pin (A-coded)
Connection 2	Socket, M12, 8-pin (X-coded)
Cable	Connection cables max. 25 m
More information / accessories	https://www.di-soric.com/212911