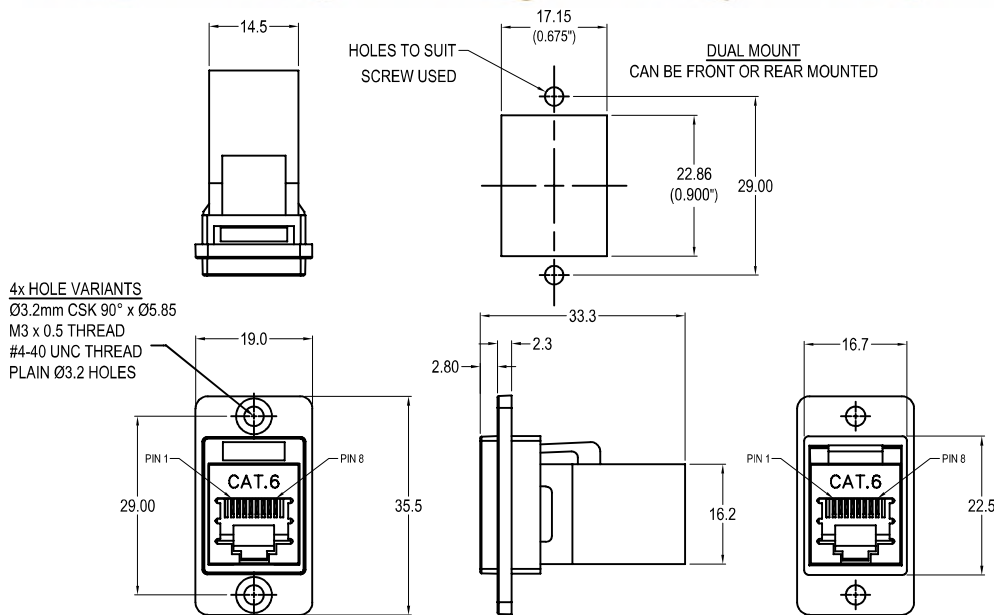


CLIFF

DUALSLIM CAT.6 RJ45 SHIELDED METAL FRAME FEEDTHROUGH CONNECTOR

Can be front or rear mounted in the panel



4x HOLE VARIANTS
 Ø3.2mm CSK 90° x Ø5.85
 M3 x 0.5 THREAD
 #4-40 UNC THREAD
 PLAIN Ø3.2 HOLES

VARIANTS

Part No.

- CP30722SM** DUALSLIM Cat.6 RJ45 Shielded Nickel frame, CSK holes
- CP30722SMB** DUALSLIM Cat.6 RJ45 Shielded Black metal frame, CSK holes
- CP30722SM3** DUALSLIM Cat.6 RJ45 Shielded Nickel frame, M3 holes
- CP30722SMB3** DUALSLIM Cat.6 RJ45 Shielded Black metal frame, M3 holes
- CP30722SM440** DUALSLIM Cat.6 RJ45 Shielded Nickel frame, #4-40 holes
- CP30722SMB440** DUALSLIM Cat.6 RJ45 Shielded Black metal frame, #4-40 holes
- CP30722SMX1** DUALSLIM Cat.6 RJ45 Shielded Nickel frame, Ø3.2 PLAIN holes
- CP30722SMBX1** DUALSLIM Cat.6 RJ45 Shielded Black metal frame, Ø3.2 PLAIN holes

Feedthrough Features

- Fits standard rectangular cutout.
- Front or rear mounting through the panel.
- Various hole mounting options.
- No soldering or punch termination. Use standard cable for each connector style.
- Low rear profile.

General:

Please note: Functionality is affected by cable quality, length and cable wiring configuration.

Material:

1. RJ45 In-Line Coupler: PC/ABS, UL 94V-0, Black colour, Fully Shielded
2. RJ45 In-Line Coupler Contact: Phosphor Bronze, 3-50 micro inches gold plating over nickel plate.
3. PCB: FR4, UL 94V-0
4. Frame: Diecast, Nickel or Black plated

Performance:

1. T568A & T568B wiring.
2. Meet ISO/IEC 11801 and EN50173
3. Meet ANSI/TIA/EIA 568B.2
4. Operating temperature: Min -10°C Max +70°C