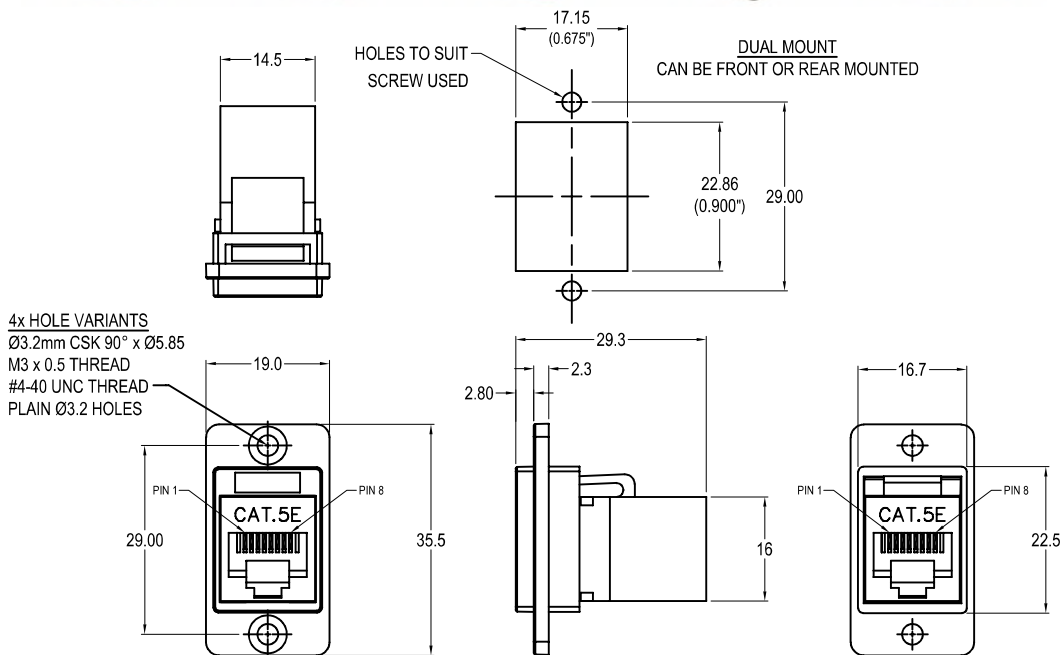


CLIFF

DUALSLIM CAT5e RJ45 METAL FRAME FEEDTHROUGH CONNECTOR

Can be front or rear mounted in the panel



VARIANTS

Part No.

- | | |
|---------------------|---|
| CP30720M | DUALSLIM Cat5e RJ45 Nickel frame, CSK holes |
| CP30720MB | DUALSLIM Cat5e RJ45 Black metal frame, CSK holes |
| CP30720M3 | DUALSLIM Cat5e RJ45 Nickel frame, M3 holes |
| CP30720MB3 | DUALSLIM Cat5e RJ45 Black metal frame, M3 holes |
| CP30720M440 | DUALSLIM Cat5e RJ45 Nickel frame, #4-40 holes |
| CP30720MB440 | DUALSLIM Cat5e RJ45 Black metal frame, #4-40 holes |
| CP30720MX1 | DUALSLIM Cat5e RJ45 Nickel frame, Ø3.2 PLAIN holes |
| CP30720MBX1 | DUALSLIM Cat5e RJ45 Black metal frame, Ø3.2 PLAIN holes |

Feedthrough Features

- Fits standard rectangular cutout.
- Front or rear mounting through the panel.
- Various hole mounting options.
- No soldering or punch termination. Use standard cable for each connector style.
- Low rear profile.

General:

Please note: Functionality is affected by cable quality, length and cable wiring configuration.

Material:

- 1.RJ45 In-Line Coupler:
PC/ABS, UL 94V-0
- 2.RJ45 In-Line Coupler Contact:
Phosphor Bronze, 3-50 micro inches gold plating over nickel plate.
- 3.PCB: FR4, UL 94V-0
- 4.Frame: Diecast, Nickel or Black plated

Performance:

- 1.T568A & T568B wiring.
- 2.Meet ISO/IEC 11801 and EN50173
- 3.Meet ANSI/TIA/EIA 568B.2
- 4.Operating temperature: Min -10°C, Max +60°C