

open hardware

Released under the Creative Commons Attribution Share-Alike 4.0 License
<https://creativecommons.org/licenses/by-sa/4.0/>

TITLE: lte_cat_m1_shield_sara-r4

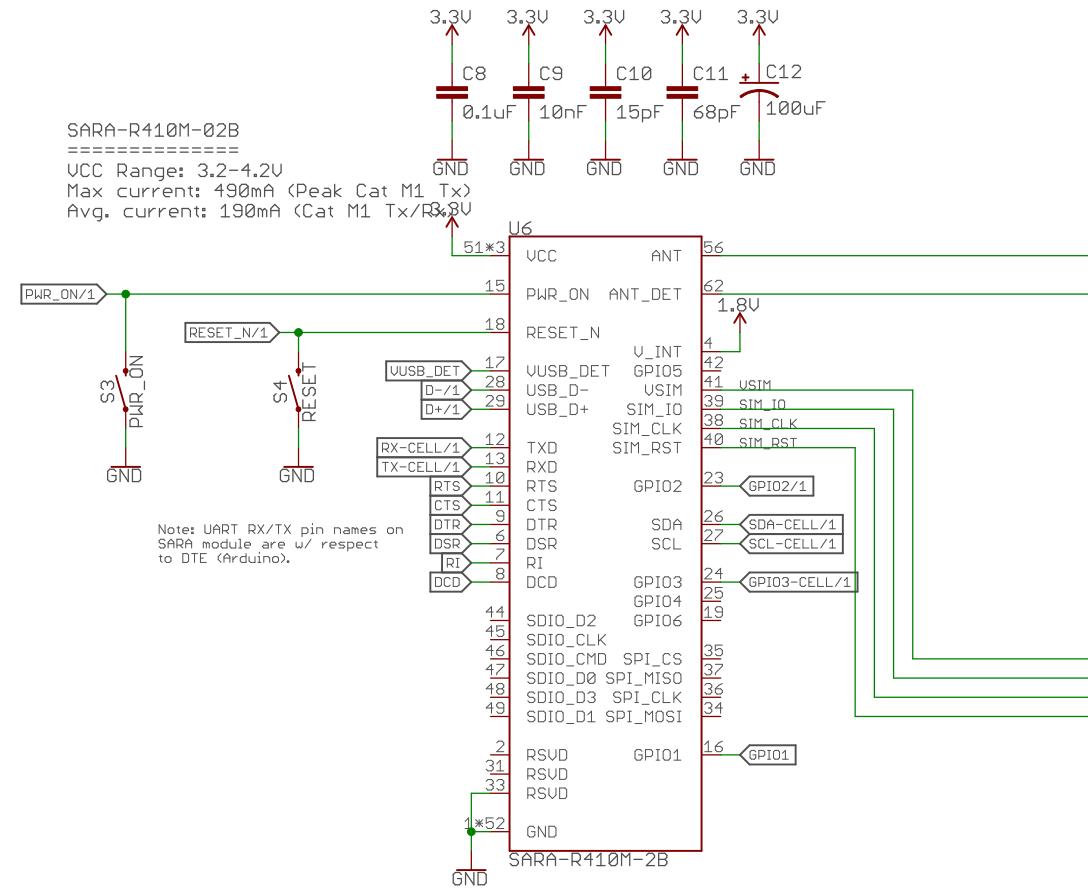
Design by: Jim Lindblom

Date: 9/18/2018 12:11 PM

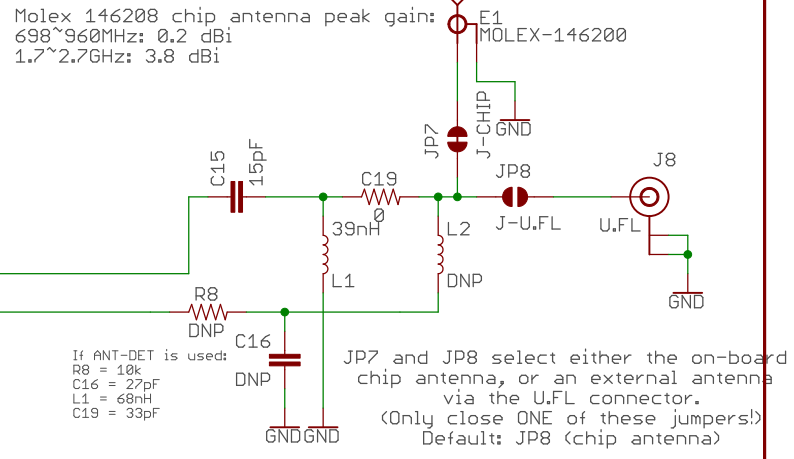
REV: v10

Sheet: 1/2

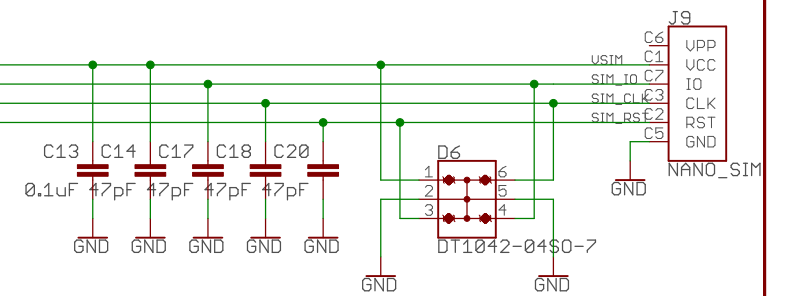
SARA-R4 Module



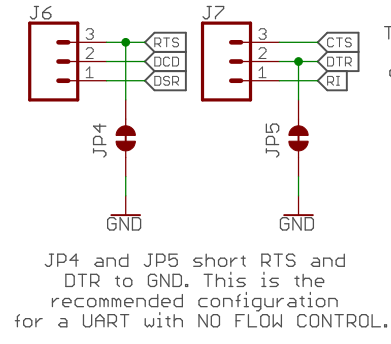
Antenna



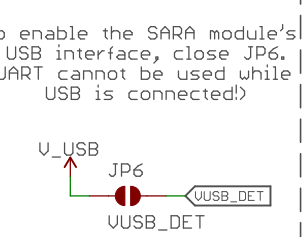
NANO SIM Card Holder



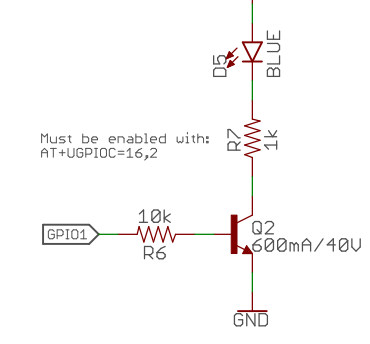
UART Handshake Signals



USB_DET Enable



Network LED



Released under the Creative Commons Attribution Share-Alike 4.0 License
<https://creativecommons.org/licenses/by-sa/4.0/>

TITLE: lte_cat_m1_shield_sara-r4

Design by: Jim Lindblom

REV: v10

Date: 9/18/2018 12:11 PM

Sheet: 2/2