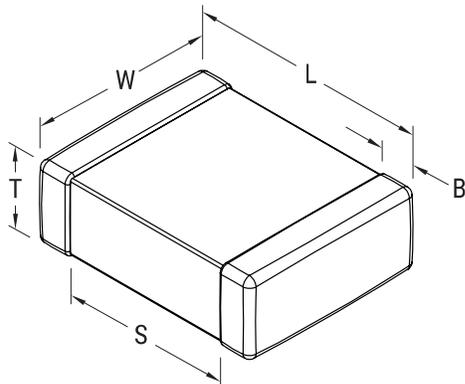


KEMET Part Number: C0805Y102K5RACTU
(C0805Y102K5RAC7800)

SMD Comm X7R FF, Ceramic, 1000 pF, 10%, 50 VDC, X7R, SMD, MLCC, FF-CAP, Floating Electrode, 0805



Dimensions

Dimensions	
Chip Size	0805
L	2mm +/-0.3mm
W	1.25mm +/-0.3mm
T	0.78mm +/-0.20mm
S	0.75mm MIN
B	0.5mm +/-0.25mm

Packaging Specifications

Packaging:	T&R, 180mm, Plastic Tape
Packaging Quantity:	4000

General Information

Series:	SMD Comm X7R FF
Style:	SMD Chip
Description:	SMD, MLCC, FF-CAP, Floating Electrode
Features:	FF-CAP, Floating Electrode
RoHS:	Yes
Termination:	Flexible Termination
Marking:	No
AEC-Q200:	No
Component Weight:	13 mg
Shelf Life:	78 Weeks
MSL:	1

Specifications

Capacitance:	1000 pF
Measurement Condition:	1 kHz 1.0Vrms
Capacitance Tolerance:	10%
Voltage DC:	50 VDC
Dielectric Withstanding Voltage:	125 VDC
Temperature Range:	-55/+125°C
Temperature Coefficient:	X7R
Capacitance Change with Reference to +25°C and 0 VDC Applied (TCC):	15%, 1kHz 1.0Vrms
Dissipation Factor:	2.5% 1 kHz 1.0Vrms
Aging Rate:	3% Loss/Decade Hour: Referee Time is 1000 Hours
Insulation Resistance:	100 GOhms