

BZGI-2RN

M

DRAWING NUMBER

ISSUE
 X 7
 X 3
 X 3

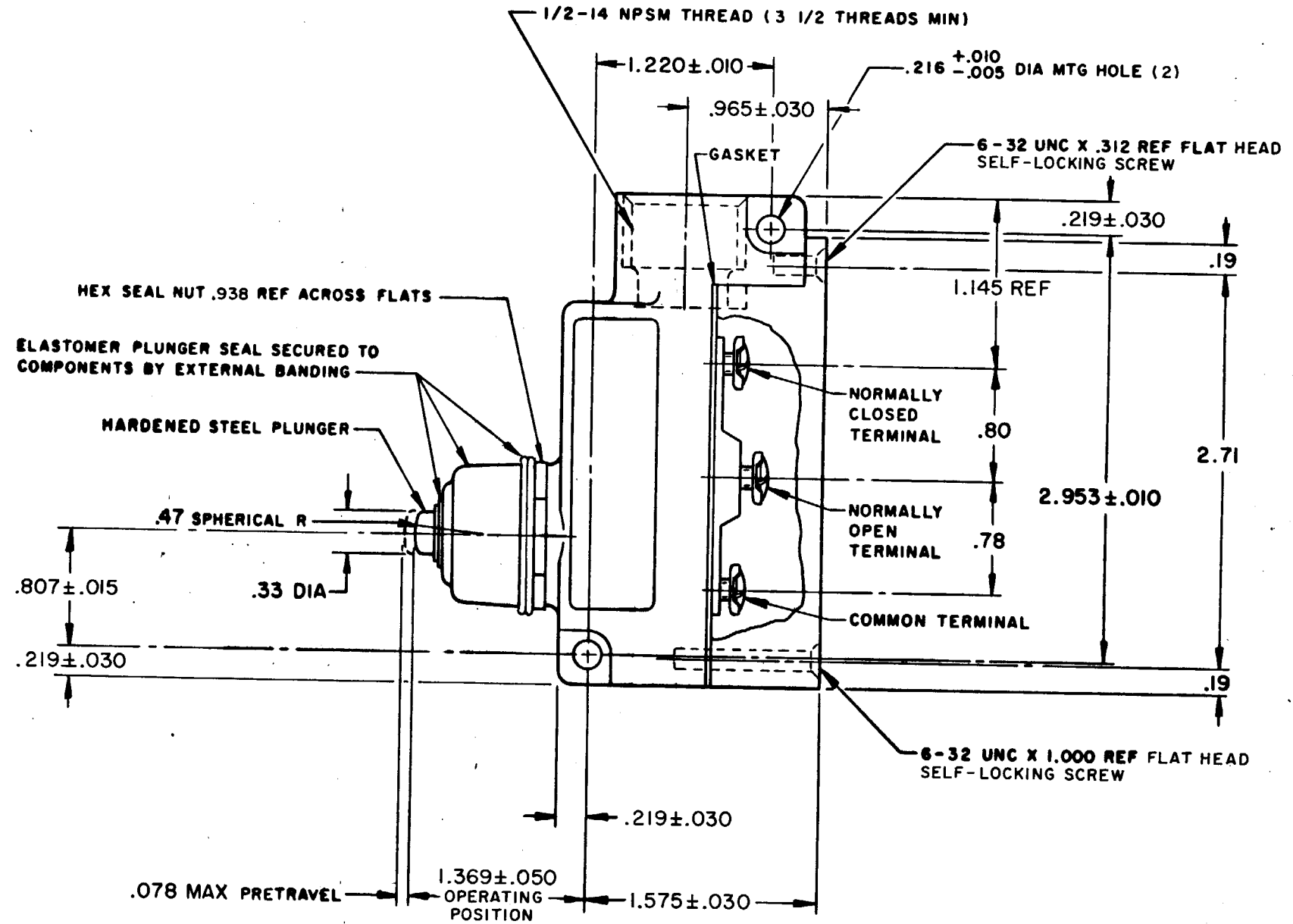
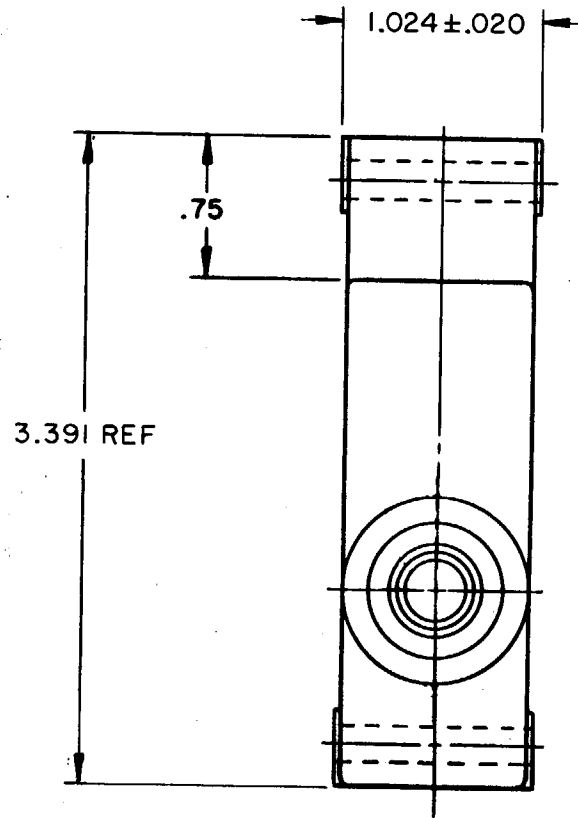
RELEASE NO. PR-1341

CHECK

REVISIONS

A	CO27253	M B S	14 APR 70
B	PR-1341	R E R	17 JUL 70
C	CO37675	K P K	23 SEP 76
D	CO67624	S L B	18 JUN 90
E	CO72977	G J W	8 AUG 92
F	CO-77179-C	F	12 MAR 94

OMW 25 FEB 70 CHECK
 DAW SMAR70 CHECK
 WHE SMAR70 CHECK
 S MAR70 CHECK



THIS DRAWING COVERS A PROPRIETARY ITEM AND IS THE PROPERTY OF MICRO SWITCH, A DIVISION OF MINNEAPOLIS-HONEYWELL REGULATOR CO. THIS DRAWING IS NOT TO BE COPIED OR USED WITHOUT THE APPROVAL OF MICRO SWITCH.

CHARACTERISTICS	ELECTRICAL DATA	SCALE FULL
OPERATING FORCE ----- 9-24 OZ	CONTACT ARRANGEMENT S P D T	DO NOT SCALE PRINT
RELEASE FORCE ----- 4 OZ MIN	15A-125, 250 OR 480 VAC, 2A-600 VAC 1/8HP-125 VAC; 1/4HP-250 VAC CODE L74 1/2A-125 VDC; 1/4A-250 VDC	UNLESS OTHERWISE NOTED
DIFFERENTIAL TRAVEL ----- .002 MAX		DIMENSIONS ARE IN INCHES
OVERTRAVEL ----- .219 MIN		TOLERANCES ARE:
SWITCH-BASIC REPLACEMENT ----- BZ-2RN770	ONE PLACE (.0) ± .030	TWO PLACE (.00) ± .015
	THREE PLACE (.000) ± .008	ANGLES ±
	WEIGHT	

NOTE -
 1 - 6-32 UNC X .219 REF BINDING HEAD TERMINAL SCREW AND CUPWASHER (3)