

MICRO SWITCH

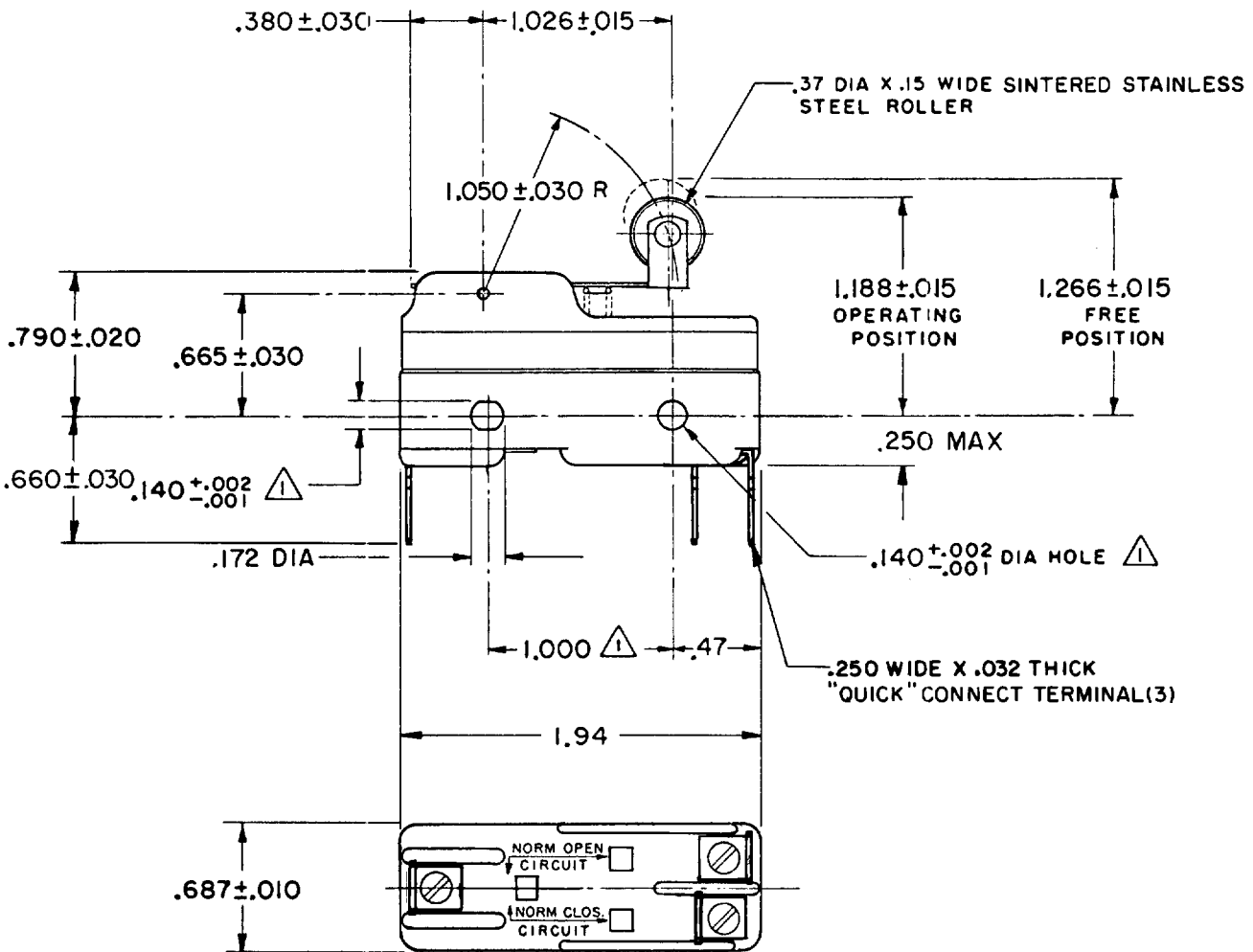
FREEDPORT ILLINOIS, U.S.A
A DIVISION OF HONEYWELL
FED. MFG. CODE 91929

SWITCH - BASIC

CATALOG LISTING

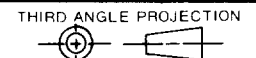
BZ-2RW822-D5

M BZ-2RW822-D5
 PAGE 1 OF 1
 REPLACES PR-4943
 DRAWING NUMBER
 ISSUE
 REVISIONS
 A REINST PR-4943
 RE R 29 APR 75
 B CO 52446
 WJM 31 JAN 83
 C CO 58037
 SMA 1 OCT 85
 D CO 70184-H
 G R Y
 2 JUN 92
 E CO-752048
 DAW 1 FEB 94
 F CO-77591
 DAW 22 JUN 94
 G C093346
 DLT 2 SEP 98
 H CO-94212-C
 DLT 17 SEP 99
 FORMTEK
 FO-52848-A
 DRAWN
 R E R 29 APR 75 CHECK D J W
 MAY 75 CHECK
 1 MAY 75 CHECK



NOTE
 ▲ - MOUNTING HOLES WILL ACCEPT PINS OR SCREWS OF .139 MAX DIA ON 1.000 ± .002 CENTERS

THIS DRAWING COVERS A PROPRIETARY ITEM AND IS THE PROPERTY OF MICRO SWITCH, A DIVISION OF HONEYWELL. THIS DRAWING IS NOT TO BE COPIED OR USED WITHOUT THE APPROVAL OF MICRO SWITCH.



CHARACTERISTICS	
OPERATING FORCE	--- 6 OZ MAX
RELEASE FORCE	--- 1/2 OZ MIN
DIFFERENTIAL TRAVEL	--- .003-.020
OVERTRAVEL	--- .094 MIN

ELECTRICAL DATA	
CONTACT ARRANGEMENT S P D T	
-L74-	15A-125, 250, OR 480 VAC, 2A-600 VAC 1/8HP-125VAC; 1/4HP-250VAC 1/2A-125VDC; 1/4A-250VDC
-L288-	
-L299-	
-L306-	
16A 250V ~ T85 5E4	

SCALE FULL			
DO NOT SCALE PRINT			
TOLERANCES			
APPLY TO DESIGN UNITS. CONVERSIONS ARE ONLY FOR REFERENCE. UNLESS NOTED, TOLERANCES ARE ±			
DIM.	TOL.	DIM.	TOL.
mm	mm/in	in	mm/in
NO PLACES	X	1/04	X X
ONE PLACE	X,X	0.4/.018	X X X
TWO PLACES	X,XX	0.15/.008	X X X X
THREE PLACES	X,XXX		X X X X X
ANGLES			
DESIGN UNITS	<input type="checkbox"/> SI METRIC	<input checked="" type="checkbox"/> US CUSTOMARY	
WEIGHT	.063 LB		