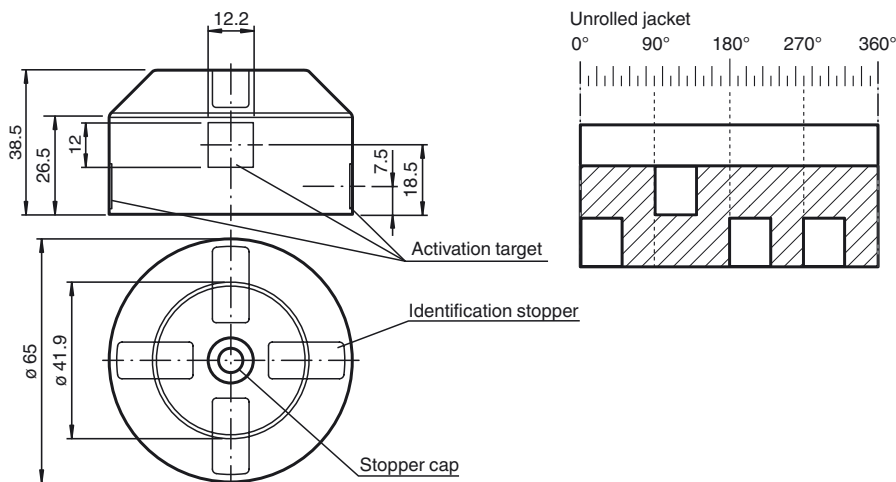




Dimensions



Model Number

BT65A

Activator for F31 series

Features

- Four fixed actuating lugs, offset by 90°
- For right and left rotating drives with 180° rotational motion

Technical data

General specifications

Ring diameter	≤ 65 mm
Spring ring height	≤ 6 mm

Ambient conditions

Ambient temperature	-25 ... 70 °C (-13 ... 158 °F)
---------------------	--------------------------------

Mechanical specifications

Shaft diameter	< 58 mm
Shaft height	20 mm and 30 mm
Mounting hole pattern	30 x 80 mm

Material	
Housing	Mounting component: PA
Spacer disk	PA (1 unit, 10 mm strong)
Stopper cap	PE (1 unit black)
Identification stopper	PA (2 units yellow, 2 units black)
Mounting screw	for activator: 1.4305 / AISI 303 (1 unit M6 x 25) for sensors - F31: 1.4305 / AISI 303 (4 items M5 x 16, (2 pieces M5 x 12)
Activation target	Stainless steel 1.4305 / AISI 303 (integrated)
Mass	40 g

Note

The activator consists of a conductive plastic material which prevents static charging and allows installation in potentially explosive environments.

Release date: 2016-12-21 16:07 Date of issue: 2016-12-21 269360_eng.xml

Matching system components**MH-BT-F03-M5**

Adjustable assembly set for size F03 manual operated valves according to ISO5211-DIN3337

MH-BT-F04-M5

Adjustable assembly set for size F04 manual operated valves according to ISO5211-DIN3337

MH-BT-F04-M6

Adjustable assembly set for size F04 manual operated valves according to ISO5211-DIN3337

MH-BT-F05-M5

Adjustable assembly set for size F05 manual operated valves according to ISO5211-DIN3337

MH-BT-F05-M6

Adjustable assembly set for size F05 manual operated valves according to ISO5211-DIN3337

MH-BT-F07-M5

Adjustable assembly set for size F07 manual operated valves according to ISO5211-DIN3337

MH-BT-F07-M6

Adjustable assembly set for size F07 manual operated valves according to ISO5211-DIN3337

MH-BT-F07-M8

Adjustable assembly set for size F07 manual operated valves according to ISO5211-DIN3337

MH-BT-F10-M10

Adjustable assembly set for size F10 manual operated valves according to ISO5211-DIN3337

MH-BT-F10-M12

Adjustable assembly set for size F10 manual operated valves according to ISO5211-DIN3337

MH-BT-F10-M8

Adjustable assembly set for size F10 manual operated valves according to ISO5211-DIN3337

MH-BT-F12-M10

Adjustable assembly set for size F12 manual operated valves according to ISO5211-DIN3337