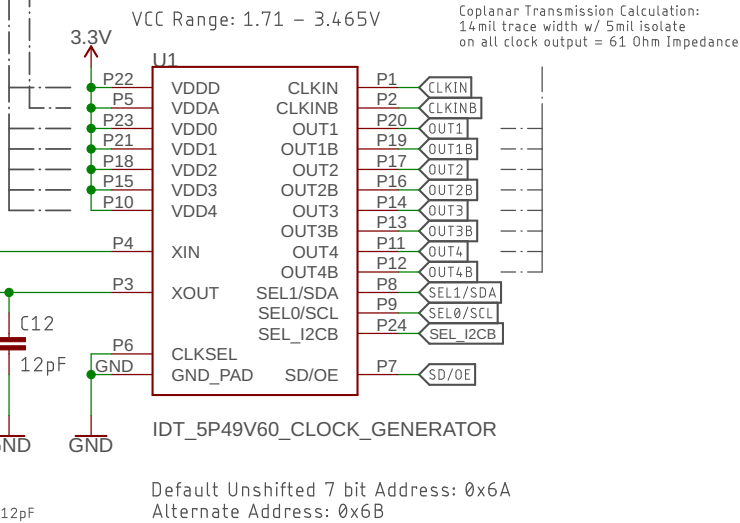
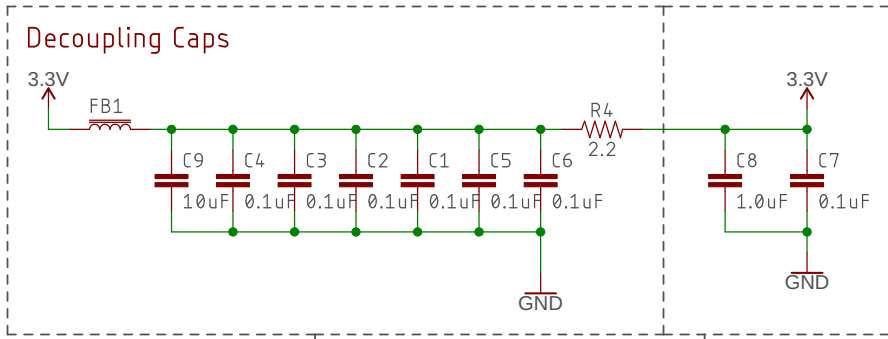
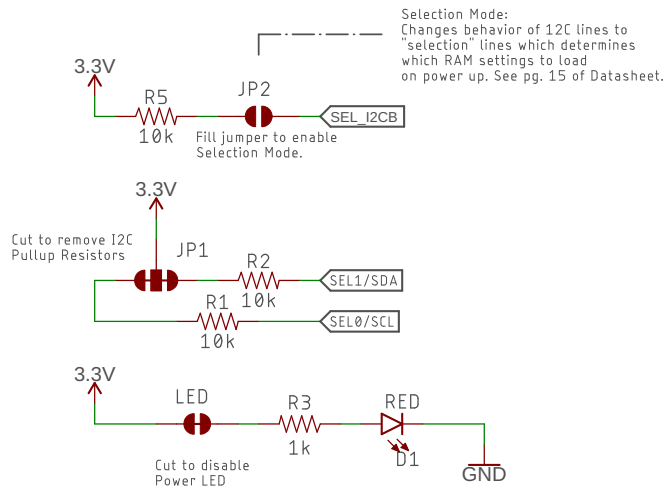


# Clock Generator – 5P49V60

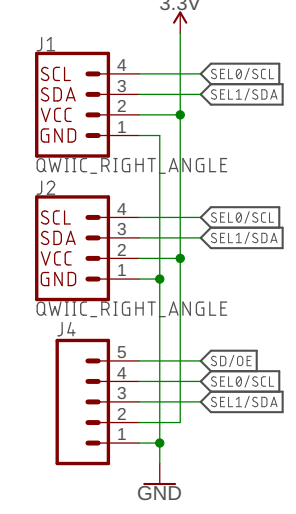


2 \* (8pF Load Capacitance – 2 stray Capacitance) = 12pF

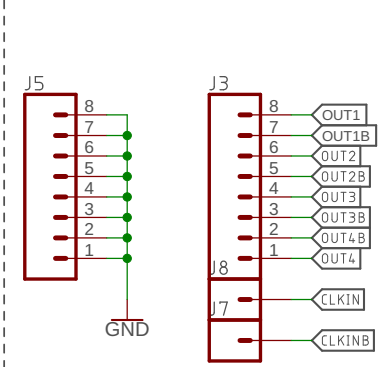
## Jumpers



## Headers



## Clock Headers



Released under the Creative Commons Attribution Share-Alike 4.0 License <a href="https://creativecommons.org/licenses/by-sa/4.0/">https://creativecommons.org/licenses/by-sa/4.0/</a>		CC BY SA
TITLE: SparkFun_Clock_Generator_5PV49V60		
Design by: Elias Santistevan		REV: v10
Date: 1/17/2020 8:31 AM	Sheet: 1/1	