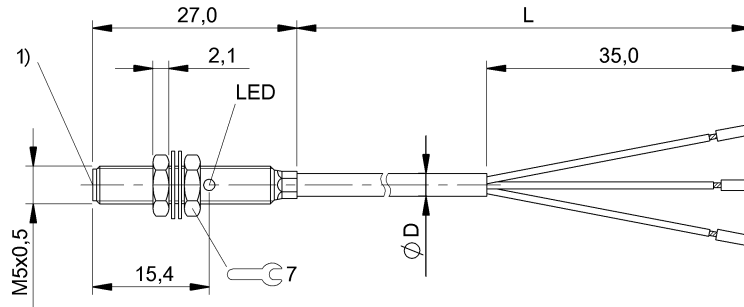


BES 516-3005-G-E4-C-PU-02
Ordering code: BES00H3

Inductive sensor
M05x27 mm
Small housing

DC, direct current
PNP/Normally open (NO)
Sn = 1,5 mm
Flush (shielded)

BALLUFF
sensors worldwide



Characteristic data

Eff. switching distance S_r	1,5 mm
Tolerance S_r	$\pm 10\%$
Assured operating distance S_a	1,2 mm
Hysteresis H max. (in % of S_r)	15 %
Repeat accur. R max. (% of S_r)	5 %
Ambient temperature	-25...70 °C
Temp. drift max. (% of S_r)	10%
Switching freq. f max.	3000 Hz
Ready delay t_v max.	25 ms
Utilisation category	DC 13
Function indicator	Yes
Power-on indicator	No
Short-circuit protected	Yes
Degree of protection as per IEC 60529	IP67
Protected against polarity reversal	Yes
Protected against reverse connection	Yes

Electrical data

Operating voltage	
Rated operating voltage U_e DC	24 V
Ripple max. (% of U_e)	10 %
Voltage drop static max.	3 V
Rated insulation voltage U_i	75 DC V
Effective operating current I_e	100 mA
No-load current I_o damped	10 mA
No-load current I_o undamped	3 mA
Off-state current I_r max.	80 μ A
Minimum operating current I_m	0 mA

Rated short circuit current	100 A
Output resistance R_a	Open collector
Load capacitance max. (at U_e)	0,2 μ F
Principle of operation	Inductive

Mechanical data

Housing material	Stainless steel
Sensing surface material	PBT
Tightening torque max.	1 Nm
Connection type	Cable
Cable jacket material	PUR
Cable diameter D max.	3 mm
Cable short designation	LI9Y11Y
Cable length	2 m
Number of conductors	3
Conductor cross-section	0.14 mm ²
Shock rating	Shock, half-sinus, 30 gn, 11ms
Vibration rating	55 Hz, 1 mm ampl., 3x30 min
Degree of contamination	3

Basic data

Basic standard	IEC 60947-5-2
----------------	---------------

Remarks

The sensor is functional again after the overload has been eliminated.
 Embeddable: See installation notes for inductive sensors with extended switching distance 825357.
 EMC: EMC-protection circuitry required, see document 825345. IVW: 2,2



Definitions see main catalog

BES 516-3005-G-E4-C-PU-02
Ordering code: BES00H3

Inductive sensor
M05x27 mm
Small housing

DC, direct current
PNP/Normally open (NO)
Sn = 1,5 mm
Flush (shielded)

BALLUFF
sensors worldwide

subject to change

