



Charge Amps **Aura Pole Mount**

Installation manual

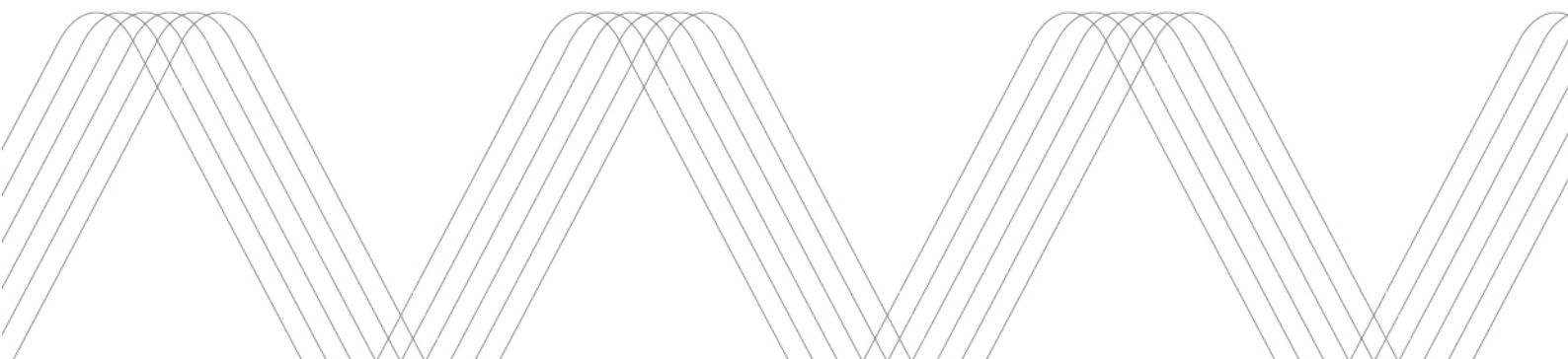
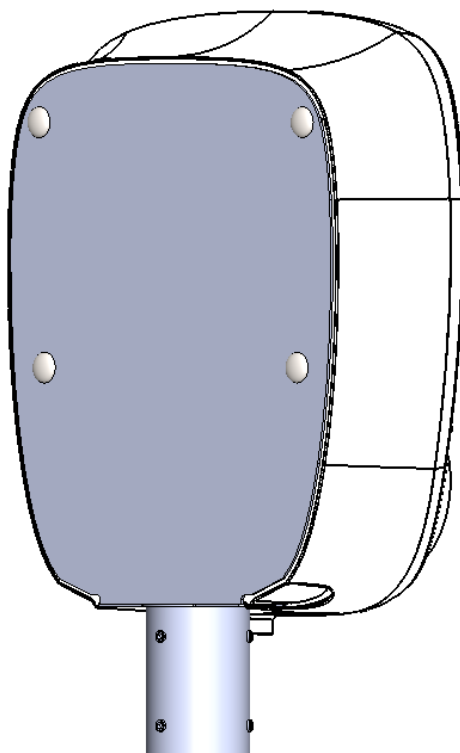




Table of Contents

Greetings installer!	3
About Aura Pole Mount	4
Contents of the package	4
Provided by the installer	4
Before installation	5
Model view Aura Pole Mount	6
Mounting Aura on the pole mount	7
Warranty conditions	14
Safety precaution	14
Mechanical information.....	14
Product recycling	14
Rights.....	15



Greetings installer!

This installation manual is intended for qualified Aura Pole Mount installers and describes how to install the product safely and properly.

Installation may only be carried out by a qualified installer who follows:

- Basic safety precautions for safe and correct installation.
- Local, regional, and national installation regulations.
- The instructions in this Aura Pole Mount installation manual.

About Aura Pole Mount

By adding the Pole Mount, specifically designed for Aura, you open up the possibilities for installing the charger on a 60 mm outer diameter pole e.g. an existing pole.

Contact your supplier for more information about your specific Aura Pole Mount.

Contents of the package

In the packaging, below is included:

- Aura Pole Mount
- Installation kit, zip-lock bag containing O-ring 60x3mm, 4 pcs. of M6 carriage bolts, 4 pcs. of M6 flange nuts and 6 pcs. of M8 pin stop screws.
- **NOTE:** The two M6x20mm screws included in the Aura product kit will be used for mounting Aura on the pole mount.
- Installation manual

Provided by the installer

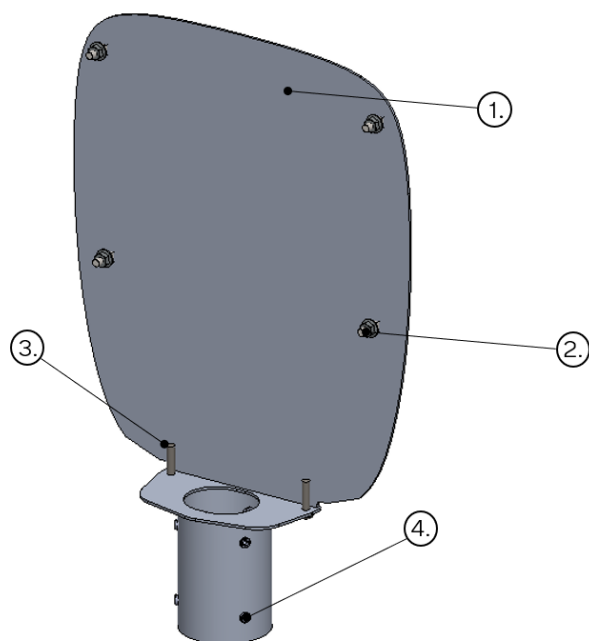
- Torx drive T30 (used for M6 x 20mm screws)
- M6 socket wrench size 10 (used for M6 flange nuts)
- Hex key M8 (used for M8 pin stop screws)
- Screwdriver (manual or power tool)



Before installation

Make sure that the right conditions and materials are in place before installation. The installation must be done in accordance with the instructions in this installation manual as well as basic safety precautions.

Model view Aura Pole Mount



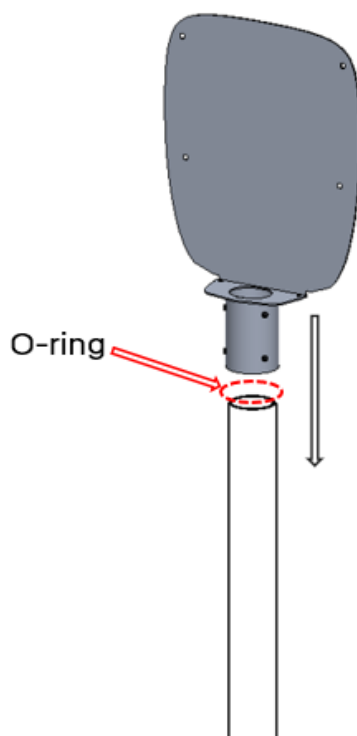
1. Aura Pole Mount
2. 4 pcs. of each M6 carriage bolts and flange nuts
3. 2 pcs. of M6x20mm (included in Aura product kit)
4. 6 pcs. of M8 pin stop screws

Mounting Aura on the pole mount

Before starting the installation, the following is important to check:

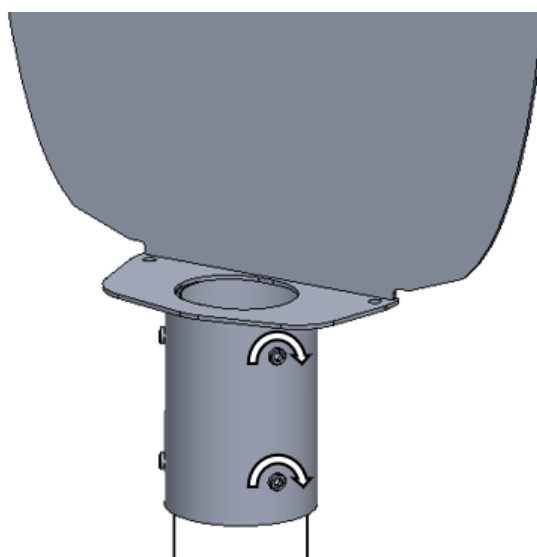
- That incoming cable is of correct dimension.
- That power is shut off.

First step is to slide the O-ring onto the pole. Then slide the pole mount onto the pole. Make sure that the O-ring is between the pole mount and the pole.



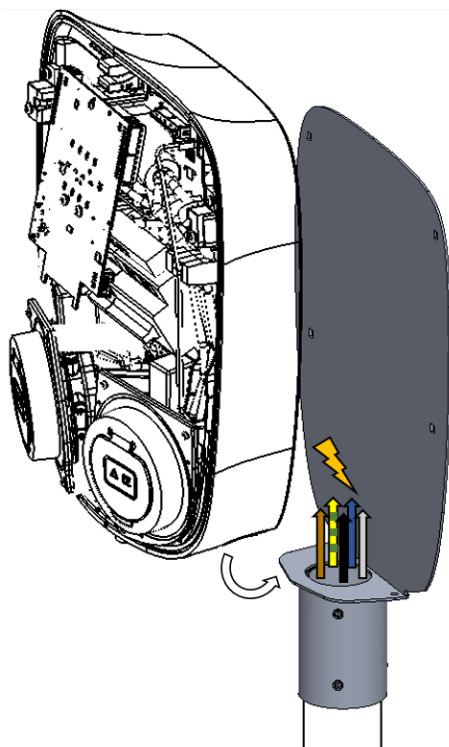
Step 2

Tighten the 6 pcs. of M8 pin stop screws which fixates the pole mount onto the pole. Use the hex key M8. Make sure that the pole mount is fixated and in an upright position. If the pole has a slight angle, the pole mount can be straightened by tightening the pin stops screws differently.



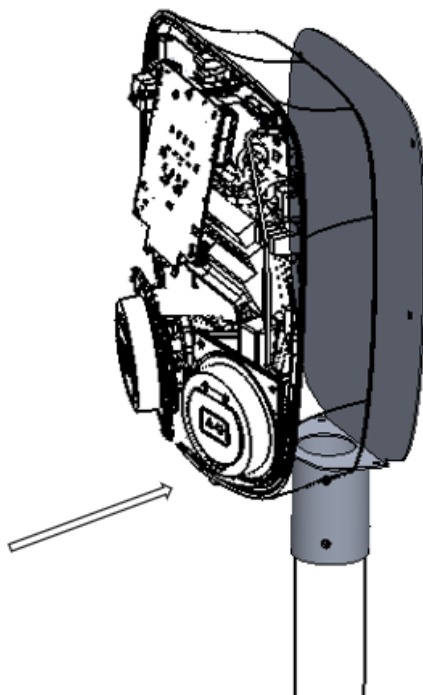
Step 3

Put the installation cable from the pole into Aura. It might require to rotate Aura a bit depending on installation cable.



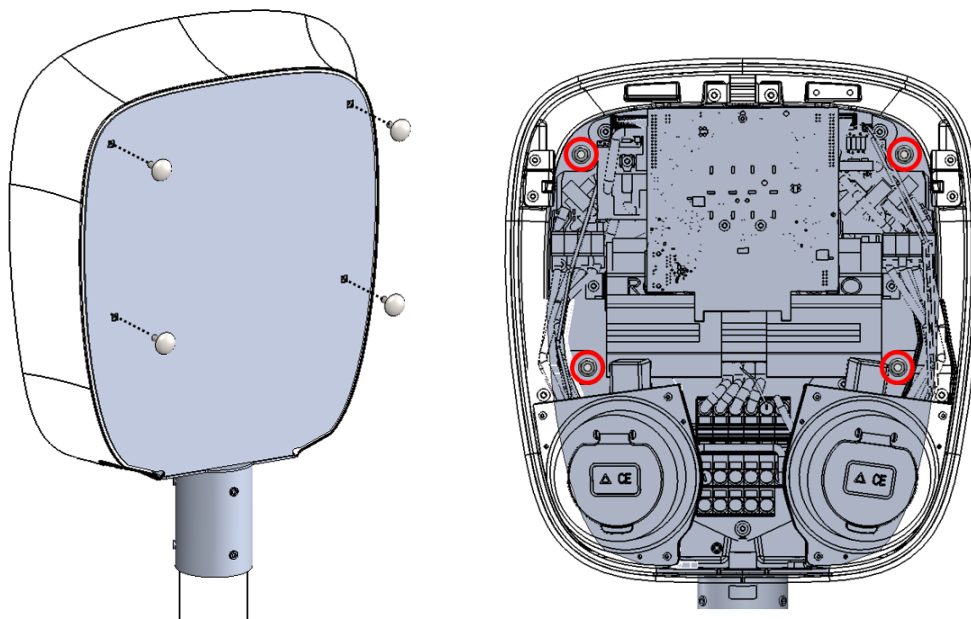
Step 4

Slide Aura into correct position.



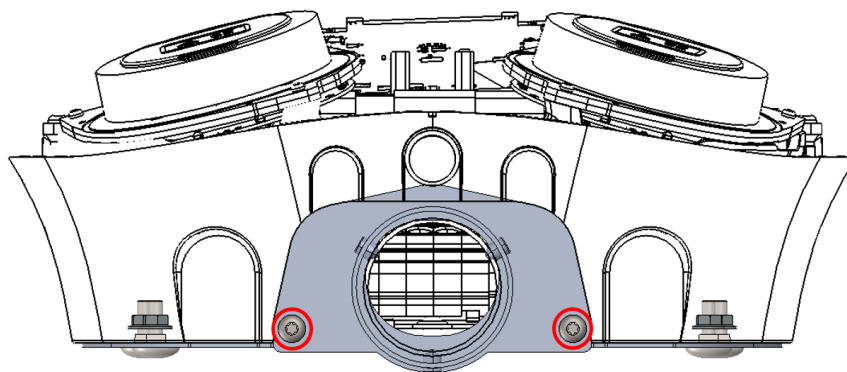
Step 5

Mount the M6 carriage screws and screw on the M6 flange nuts. **NOTE:** Do not tighten the nuts, just thread the nuts.



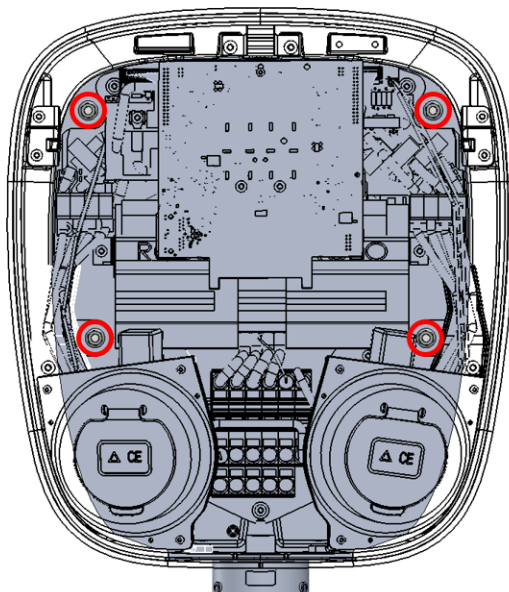
Step 6

Screw the M6 x 20 mm screws tightly.



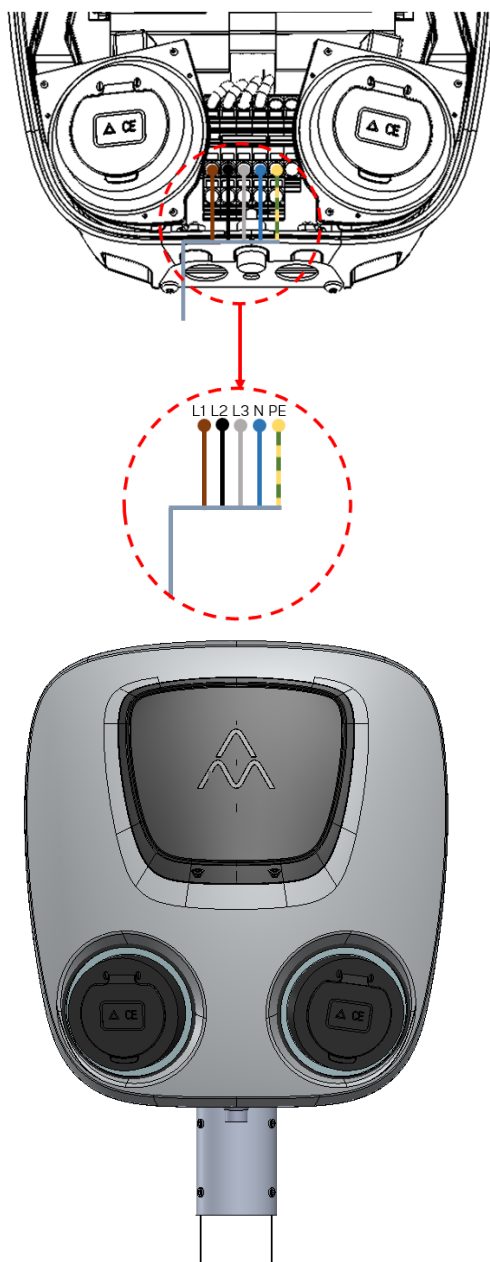
Step 7

Screw the M6 flange nuts tightly.



Step 8

Install the installation cables according to the Aura installation manual and then close and lock the front. **NOTE:** If you are installing Aura on a 4 cable conductor system, Zero cable (N) will not be installed in the blue colored topjob.



Warranty conditions

Check the warranty conditions on our website: https://cms.charge-amps.com/wp-content/uploads/2020/11/warranty_policy-1.pdf

Safety precaution

To be able to install and mount Aura, you have to be a licensed electrician and follow all safety precautions to ensure a safe and correct installation. Installation should follow according to instructions in this document.

Mechanical information

- Weight: 2 kg
- Product dimension: Height 465 mm, width 303 mm, depth 81 mm
- Product material: Stainless steel

Product recycling

Recycling is part of any products lifecycle. Aura pole mount contains stainless steel and should be recycled accordingly.

Rights

The information in this document has been checked for accuracy. Charge Amps AB reserves the right to make technical changes and changes to the contents of the document without prior notice. Charge Amps AB can not guarantee that all of the content of this particular document is accurate, up-to-date, and free from printing and proofreading errors. Moreover, Charge Amps AB cannot be held liable for any mistakes, near-misses, injuries/damage or incidents – direct or indirect – that can be linked to the use of the safety precautions or products in this document.

Charge Amps AB reserves all rights to this document, as well as the information and illustrations therein. It is strictly forbidden to – in whole or in part – copy, adapt or translate the information without prior written permission from Charge Amps AB.

© Copyright 2021, Charge Amps AB. All rights reserved.