



Charge Amps **Aura Dual Pole Mount**

Installation manual

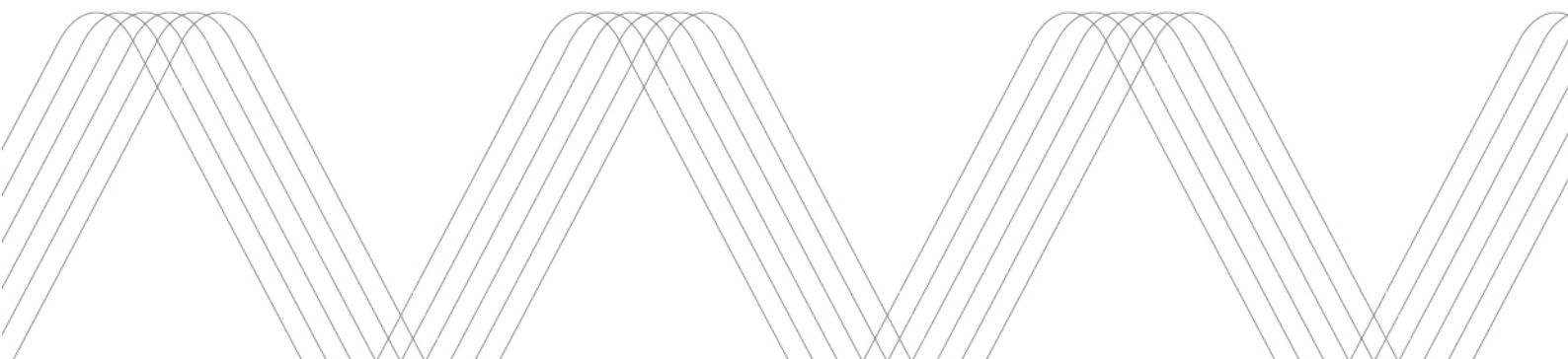




Table of Contents

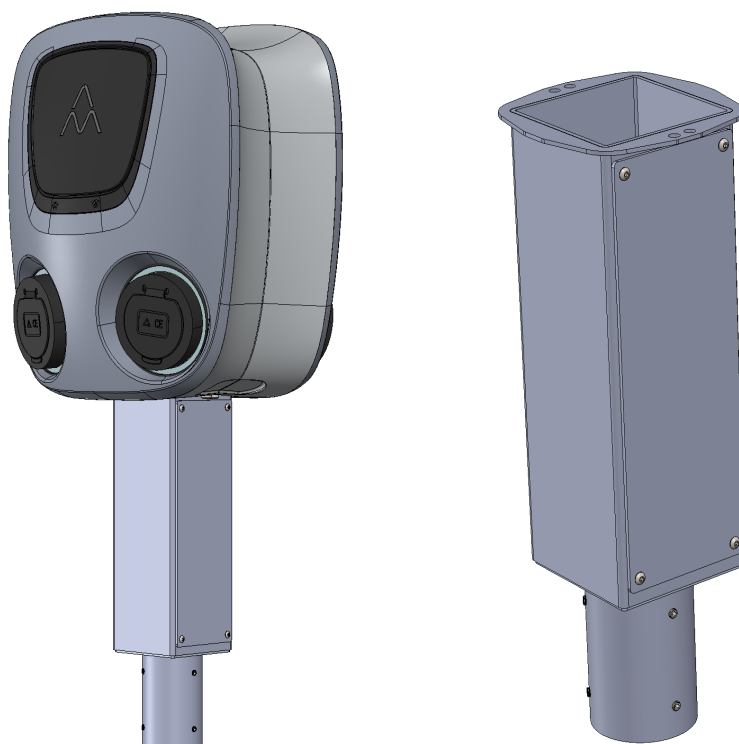
User Agreement	3
Greetings installer!	4
About Aura Dual Pole Mount	5
Contents of the package	5
Provided by the installer	5
Before installation	5
Model view Aura Dual Pole Mount	6
Mounting Aura on the pole mount	7
Warranty conditions	19
Safety precaution	19
Mechanical information.....	19
Product recycling	19
Rights.....	19



User Agreement

The user agrees to the following:

Aura Dual Pole Mount is an accessory for the Charge Amps Aura charging station. It cannot be used without two Charge Amps Auras installed properly. The Aura Dual Pole Mount and the two Charge Amps Auras should be regarded as one assembly. The power should be switched off during the complete installation. There should be no obstacles or cables in contact with the lid when closed to ensure the IP rating. The installer chooses the appropriate dimensions of the installation cables. If there would be any incorrect information in the instruction manual the installer must consider all relevant laws, regulations, and safety precautions for this kind of device and installation and follow those.



Greetings installer!

This installation manual is intended for qualified Aura Pole Mount installers and describes how to install the product safely and properly.

Installation may only be carried out by a qualified installer who follows:

- Basic safety precautions for safe and correct installation.
- Local, regional, and national installation regulations.
- The instructions in this Aura Dual Pole Mount installation manual.

About Aura Dual Pole Mount

By adding the Pole Mount, specifically designed for Aura, you open up the possibilities for installing two chargers on a 60 mm outer diameter pole e.g. an existing motor heater pole.

Contact your supplier for more information about your specific Aura Dual Pole Mount.

Contents of the package

In the packaging, below is included:

- Aura Dual Pole Mount
- Installation kit, zip-lock bag containing O-ring 60 x 2mm, 4 pcs. of M6 bolts, 4 pcs. of M6 nuts, 8 pcs. M6 washers, 5 pcs M4 screws, 1 tooth washer M4 and 6 pcs. of M6 pin stop screws.
NOTE: The four M6 x 20 mm screws included in the Aura product kit will be used for mounting Aura on the pole mount.
- Installation manual
- Data sheet of the included terminal block

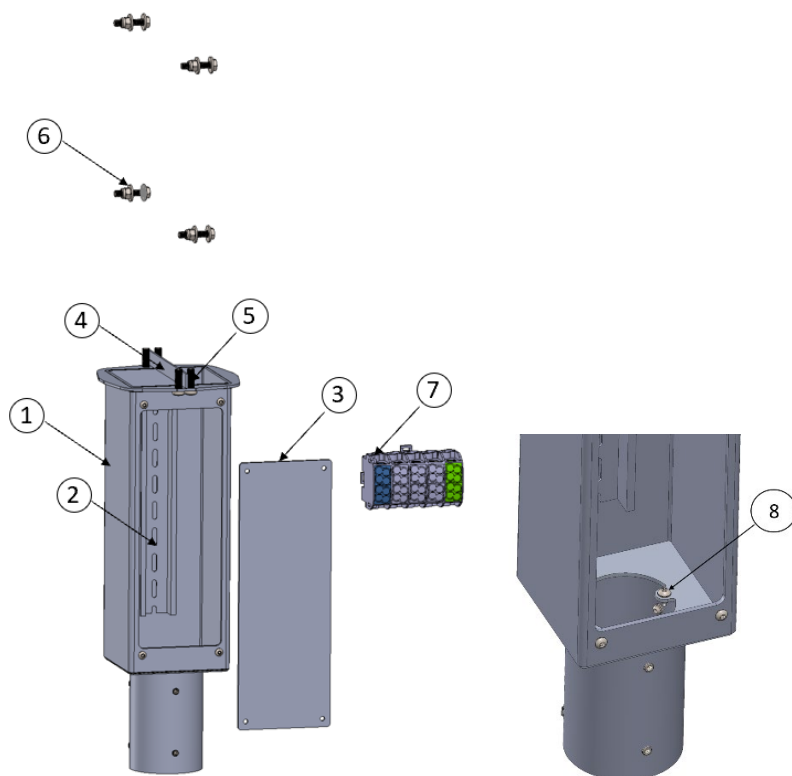
Provided by the installer

- Torx drive T30 (used for M6 x 20 mm screws included in the Aura product kit)
- Torx drive T20 (used for M4 x 8 mm screws)
- SDK PZ2 (Terminal block)
- 2 x M6 socket wrench size 10 with extender (used for M6 screws / nuts)
- Hex key M6 (used for M6 pin stop screws)
- Screwdriver (manual or power tool)
- Proper cables for L1–L3, N, PE and necessary tools for cutting, stripping etc.

Before installation

Make sure that the right conditions and materials are in place before installation. The installation must be done in accordance with the instructions in this installation manual as well as basic safety precautions.

Model view Aura Dual Pole Mount



1. Aura Dual Pole Mount
2. Din Rail
3. Lid
4. 1 pcs. EPDM Gasket
5. 4 pcs. M6 x 30 screws (Note: Included in the Aura installation kit)
6. 4 pcs. of each M6 screws, washers and nuts
7. Terminal block (Optional)
8. Earthing screw M4 and tooth washer

Mounting Aura on the pole mount

Before starting the installation, the following is important to check:

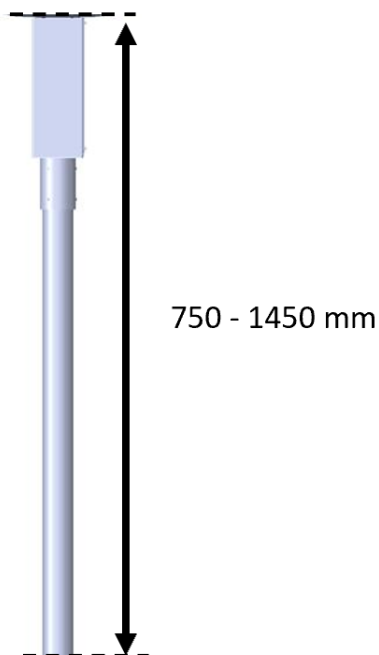
- That incoming cable is of correct dimension.
- Depending on the preferred height of the charger the 60 mm pole might have to be cut.
- That power is shut off during the whole installation.

Step 1

The terminal block or any other preferred electronic component must be mounted on the Din Rail during the first step. This is done by sliding it on from the top.

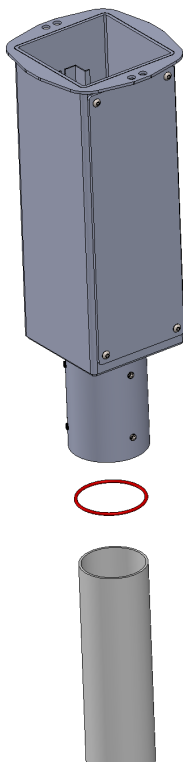
Step 2

The Aura Dual Pole Mount is 380 mm in height. It adds 280 mm height to the pole. If the pole needs to be cut, then make sure to do it at this step and make sure that there are no installation cables that can be damaged or in contact to the cutter. The top of the pole mount should be within 750–1450 mm from the ground level.



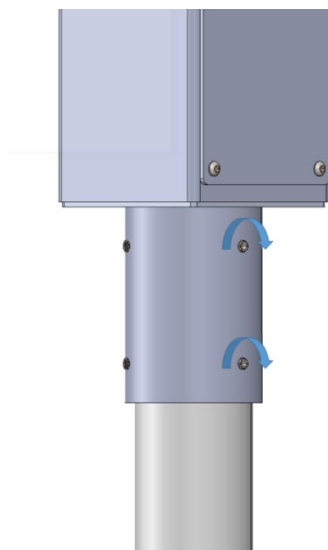
Step 3

Slide the O-ring onto the pole. Then slide the pole mount onto the pole. Make sure that the O-ring is between the pole mount and the pole and not at the same level as the pin stop screws.



Step 4

Tighten the 6 pcs. of M6 pin stop screws which fixates the pole mount onto the pole. Use the hex key M6. Make sure that the pole mount is fixated and in an upright position. If the pole has a slight angle, the pole mount can be straightened by tightening the pin stops screws differently.



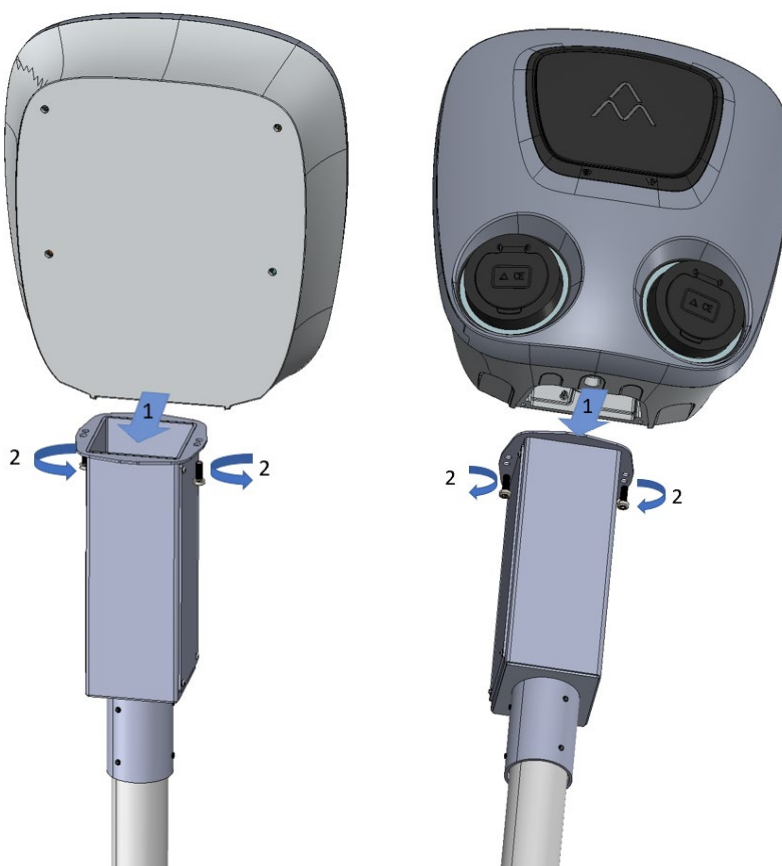
Step 5

1. Unscrew the two M6 x 20 screws from the bottom of the Aura and remove the bracket highlighted in blue in the below picture. The bracket will not be used when having the Aura on the pole mount. The screws will be reused.



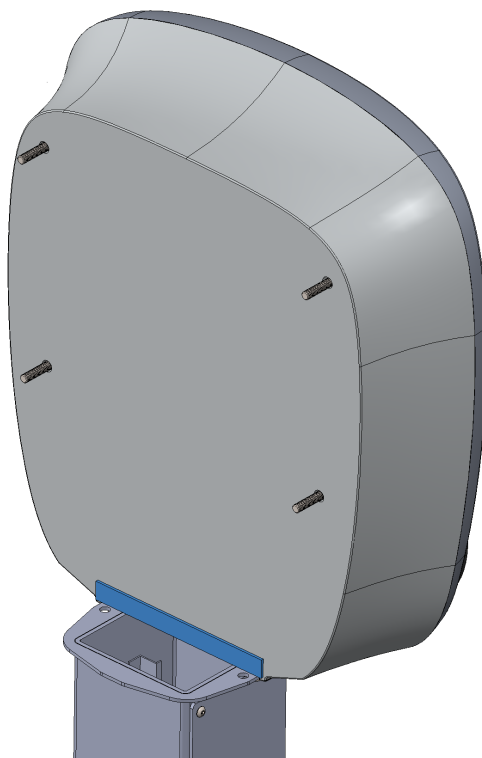
2. Slide the first Aura onto the pole mount according to the picture below.

Attach the two M6 x 20 screws so that it connects the pole mount and the Aura. The screws should just temporarily fixate the Aura, they should be flush to the surface but do not tighten them.



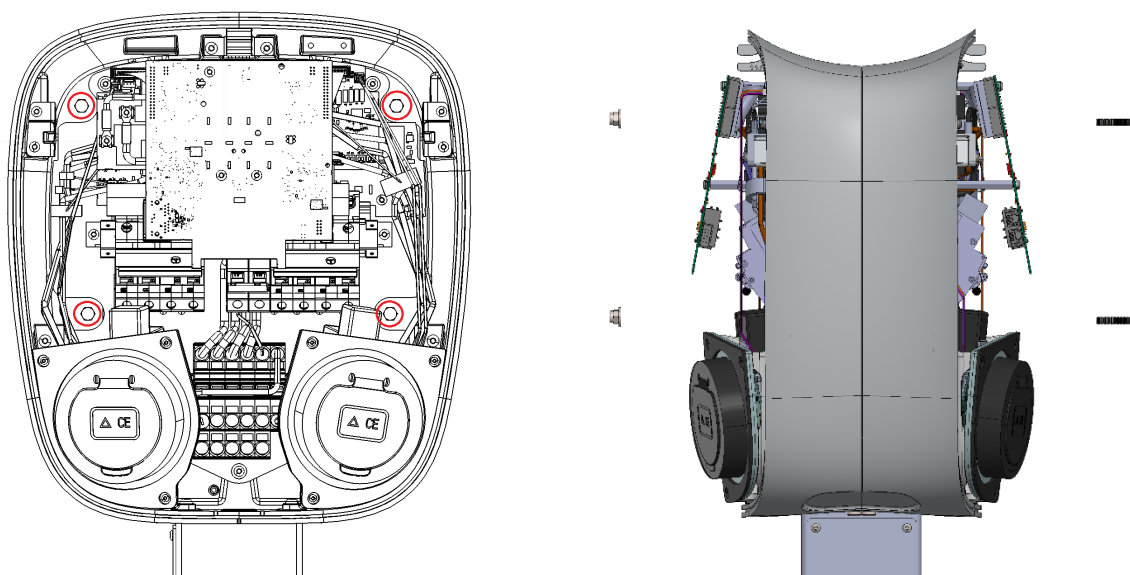
Step 6

Tape the EPDM Gasket, highlighted in blue, to the bottom of the Aura according to the picture below to prevent water and moist to drip down in the pole mount.



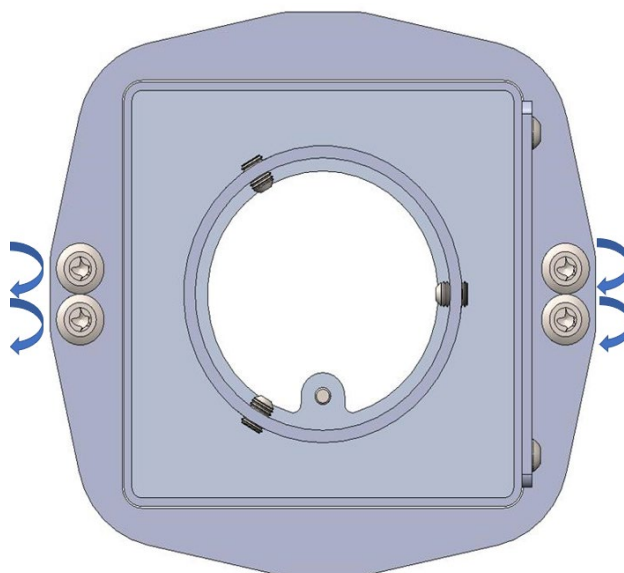
Step 7

1. Slide the next Aura unit to the pole mount as described in Step 5.
2. Fixate both Auras by tightening the four horizontal M6 x 30 screws, washers and nuts.



Side/Front view

3. Tighten the four vertical M6 screws connecting the Aura Dual Pole Mount to the Aura:s.



View from below

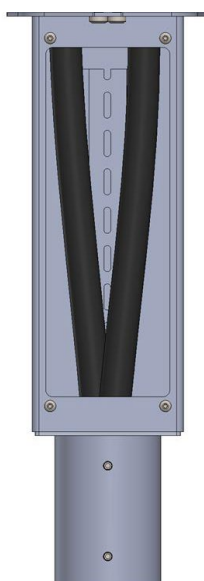
Step 8

Open the lid by unscrewing the four M4 screws on the front.

Depending on the installation type:

Option1:

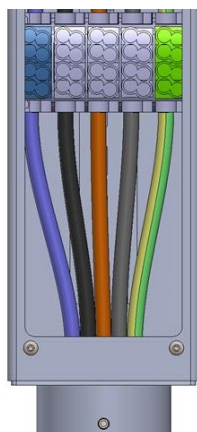
1. If you got two incoming power cables pull them through the pole mount.



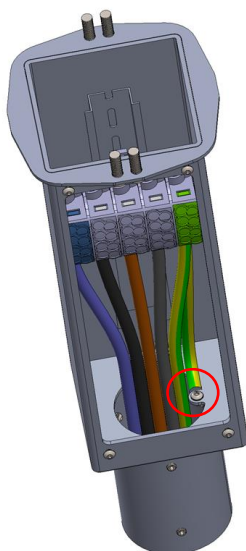
2. Close the lid, make sure that no cable or obstacle is in contact with the lid. If a cable push on the lid the IP 44 protection will fail.

Option 2:

1. If you got one incoming power cable, read the instructions and the data sheet for the terminal block WPD 501 2X25/2X16 1XGN/3XGY/1XBL, order nr 1562140000, at Weidmuller.com. Adjust the height of the terminal block by sliding it on the Din Rail and connect it.



2. Connect the earthing circuit to the earthing screw M4 + tooth washer



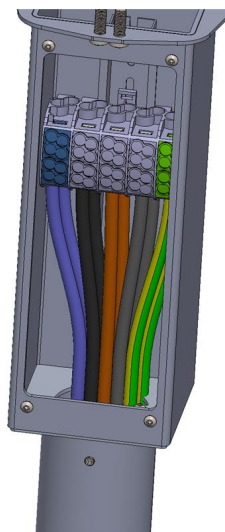
3. Cut new appropriate cables, connect them to upper side of the terminal block and pull them through the bottom of the Aura. Connect the first set of cables to the poles closest to the back.



4. Close the lid, make sure that no cable or obstacle is in contact with the lid. If a cable push on the lid the IP 44 protection will fail.

Option 3:

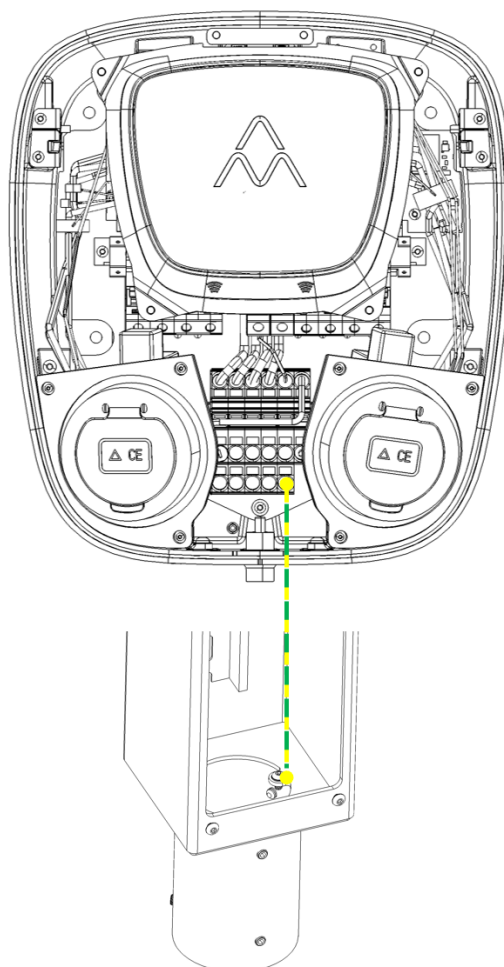
1. If you got one incoming power cable and one outgoing, read the instructions and the data sheet for the terminal block WPD 501 2X25/2X16 1XGN/3XGY/1XBL, order nr 1562140000, at Weidmuller.com. Adjust the height of the terminal block by sliding it on the Din Rail and connect it. Connect the first set of cables to the poles closest to the back.



2. Cut new appropriate cables, connect them to upper side of the terminal block and pull them through the bottom of the Aura. Connect the first set of cables to the poles closest to the back of the terminal block.



3. Remove the lid from one of the Auras. Use one of the PE poles from one of the Auras and connect it to the earthing screw of the Aura Dual Pole Mount.



4. Close the lid, make sure that no cable or obstacle is in contact with the lid. If a cable push on the lid the IP 44 protection will fail.

Step 9

Unlock and remove the lid from the Auras. Read the Aura installation manual and install them accordingly, then close and lock the front.

Warranty conditions

Check the warranty conditions on our website: https://cms.charge-amps.com/wp-content/uploads/2020/11/warranty_policy-1.pdf

Safety precaution

To be able to install and mount the Aura, you have to be a licensed electrician and follow all safety precautions to ensure a safe and correct installation. Installation should follow according to the User Agreement and the instructions in this document.

Mechanical information

- Weight: 3 kg
- Product dimension: Height 380 mm, width 133 mm, depth 137 mm
- Product material: Stainless steel
- IP 44 when installed properly

Product recycling

Recycling is part of any products lifecycle. Aura Dual Pole Mount contains stainless steel and should be recycled accordingly.

Rights

The information in this document has been checked for accuracy. Charge Amps AB reserves the right to make technical changes and changes to the contents of the document without prior notice. Charge Amps AB can not guarantee that all of the content of this particular document is accurate, up-to-date, and free from printing and proofreading errors. Moreover, Charge Amps AB cannot be held liable for any mistakes, near-misses, injuries/damage or incidents – direct or indirect – that can be linked to the use of the safety precautions or products in this document.

Charge Amps AB reserves all rights to this document, as well as the information and illustrations therein. It is strictly forbidden to – in whole or in part – copy, adapt or translate the information without prior written permission from Charge Amps AB.

© Copyright 2021, Charge Amps AB. All rights reserved.