

# Table Stand

Adjustable table mounting systems for multipurpose applications

## TBSD-BS1502 TBSD-WS1502

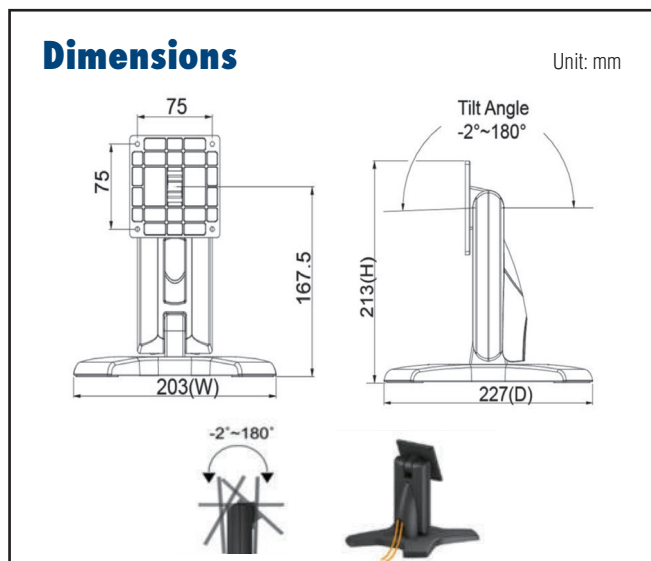


### Specifications

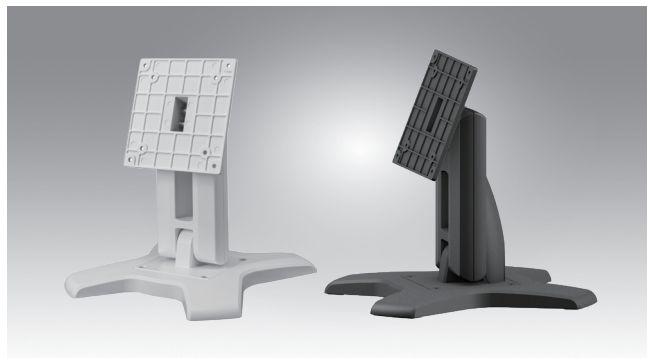
Net Weight	1.61 Kg (3.55lbs)	
Dimension (W x H x D)	203 x 213 x 227 mm (7.99" x 8.39" x 8.94")	
Screw Type	M4	
Material	Steel/Plastic/Zinc	
Hinge Module	Swivel	N/A
	Tilt	-2° (down) ~ +180° (up)
Display Support	Mounting Pattern	75x75 mm
	Display Type	Single Monitor
	Panel Size Support	≤ 17"
	Support Max. Weight	13kg (28.7lbs)
Cable Management	Yes	

### Ordering Information

Part No.	Color	Product Description
ASK-TBSD-WS1502A01	White	VESA 75x75, support ≤ 17", max. support 13kg, Single carton
ASK-TBSD-BS1502A01	Black	VESA 75x75, support ≤ 17", max. support 13kg, Single carton



## TBSD-BS1510 TBSD-WS1510

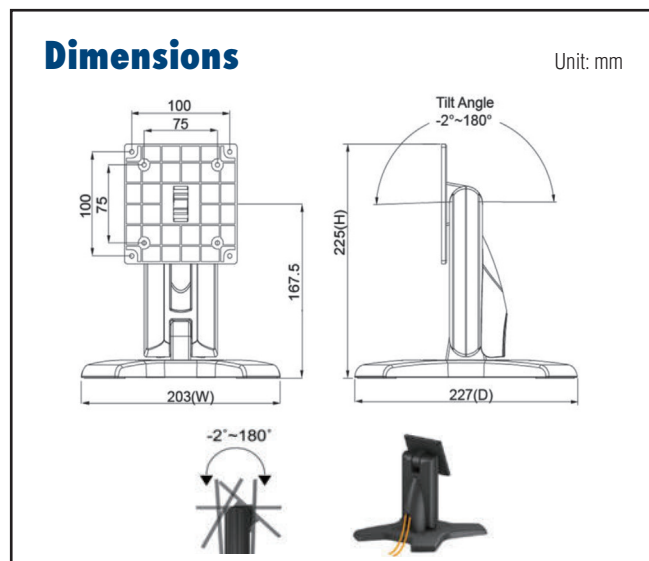


### Specifications

Net Weight	1.40 kg (3.09lbs)	
Dimension (W x H x D)	203 x 225 x 227 mm ( 7.99" x 8.86" x 8.94" )	
Screw Type	M4	
Material	Steel/Aluminum/Plastic	
Hinge Module	Swivel	N/A
	Tilt	-2°(down) ~ +180°(up)
Display Support	Mounting Pattern	100x100 / 75x75 mm
	Display Type	Single Monitor
	Panel Size Support	≤ 17"
	Support Max. Weight	13kg(28.7lbs)
Cable Management	Yes	

### Ordering Information

Part No.	Color	Product Description
ASK-TBSD-WS1510A01	White	VESA 75x75, 100x100, support ≤ 17", max. support 13kg, Single carton
ASK-TBSD-BS1510A01	Black	VESA 75x75, 100x100, support ≤ 17", max. support 13kg, Single carton



# Table Stand

Adjustable table mounting systems for multipurpose applications

## TBSD-BS1702 TBSD-WS1702

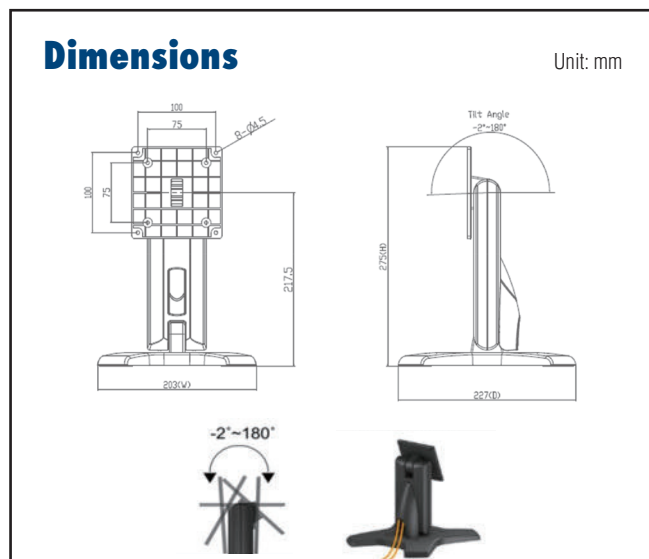


### Specifications

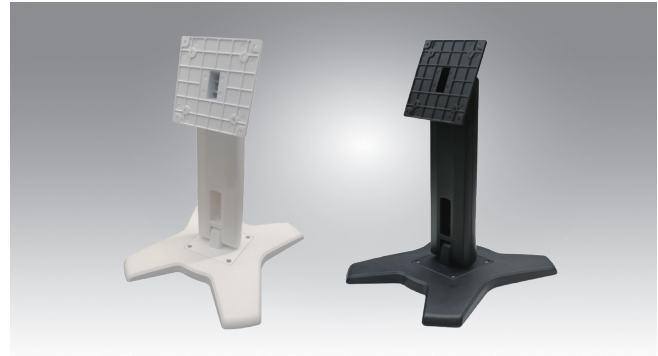
Net Weight	1.75 Kg (3.86lbs)	
Dimension (W x H x D)	203 x 275 x 227mm (8" x 10.83" x 8.94")	
Screw Type	M4	
Material	Steel/Aluminum Alloy/Plastic	
Hinge Module	Swivel	N/A
	Tilt	-2° (down) ~ +180° (up)
Display Support	Mounting Pattern	100x100 / 75x75 mm
	Display Type	Single Monitor
	Panel Size Support	≤ 21.5"
	Support Max. Weight	15kg (33.1lbs)
Cable Management	Yes	

### Ordering Information

Part No.	Color	Product Description
ASK-TBSD-WS1702A01	White	VESA 75x75, 100x100, support ≤ 21.5", max. support 15kg, Single carton
ASK-TBSD-BS1702A01	Black	VESA 75x75, 100x100, support ≤ 21.5", max. support 15kg, Single carton



## TBSD-BS2710 TBSD-WS2710

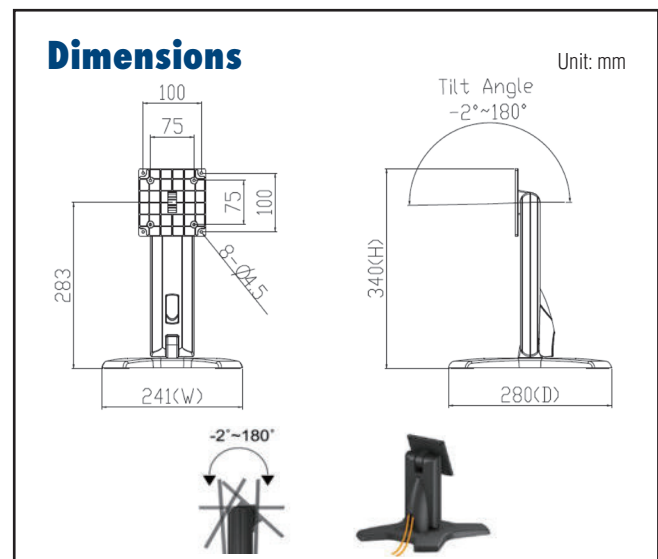


### Specifications

Net Weight	2.03 Kg (4.48lbs)	
Dimension (W x H x D)	241 x 340 x 280 mm (9.49" x 13.39" x 11.02")	
Screw Type	M4	
Material	Steel/Aluminum Alloy/Plastic	
Hinge Module	Swivel	N/A
	Tilt	-2° (down) ~ +180° (up)
Display Support	Mounting Pattern	100x100 / 75x75 mm
	Display Type	Single Monitor
	Panel Size Support	≤ 27"
	Support Max. Weight	20kg (44.09lbs)
Cable Management	Yes	

### Ordering Information

Part No.	Color	Product Description
ASK-TBSD-WS2710A01	White	VESA 75x75, 100x100, support ≤ 27", max. support 20kg, Single carton
ASK-TBSD-BS2710A01	Black	VESA 75x75, 100x100, support ≤ 27", max. support 20kg, Single carton



# Table Stand

Adjustable table mounting systems for multipurpose applications

## TBSD-BHA741 TBSD-WHA741

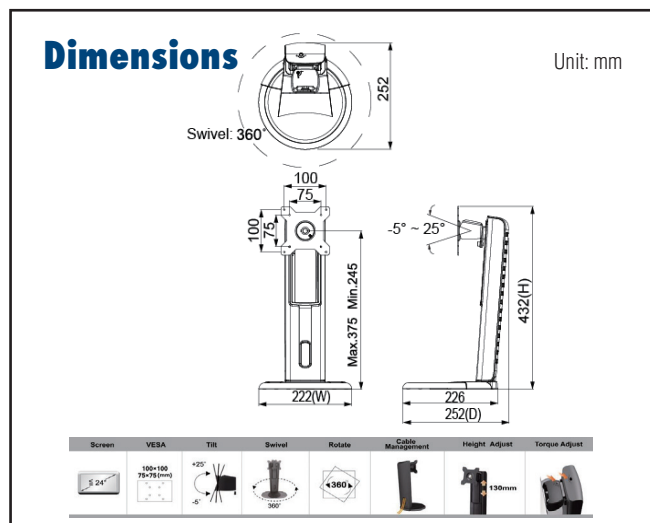


### Specifications

Net Weight	3.12 Kg (6.88lbs)	
Dimension (W x H x D)	222 x 432 x 252 mm (8.74" x 17.01" x 9.92")	
Screw Type	M4	
Material	Steel/Plastic/Aluminum	
Hinge Module	Swivel (Hinge)	360°
	Tilt (Hinge)	-5° ~ +25°
	Pivot	360°
	User Torque Adjust	Available
Display Support	Mounting Pattern	100x100 / 75x75 mm
	Display Type	Single Monitor
	Panel Size Support	≤ 24"
	Support Weight (Range)	HA741: 2 ~ 8kg, HA741L: 6 ~ 12kg
Height Adjust	Height Adjustment Range	130mm (5.12")
	Tension Torque Adjust	Yes
Cable Management	Yes	

### Ordering Information

Part No.	Color	Product Description
ASK-TBSD-WHA741A01	White	VESA 75x75, 100x100, support ≤ 24", support 6~12kg, Single carton
ASK-TBSD-WHA741A02	White	VESA 75x75, 100x100, support ≤ 24", support 2~8kg, Single carton
ASK-TBSD-BHA741A01	Black	VESA 75x75, 100x100, support ≤ 24", support 6~12kg, Single carton



## TBSD-BTS011

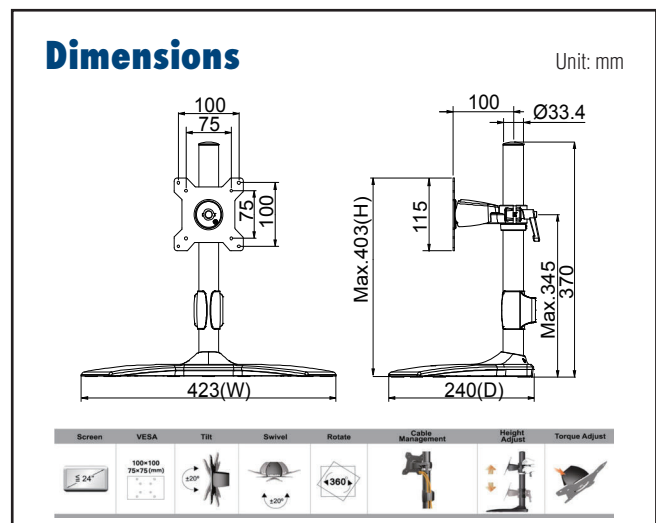


### Specifications

Net Weight	1.91 Kg (4.21lbs)	
Dimension (W x H x D)	423 x 403 x 240 mm (16.65" x 15.87" x 9.45")	
Screw Type	M4	
Material	Steel/Aluminum Alloy/Plastic	
Hinge Module	Swivel	±20°
	Tilt	±20°
	Pivot	360°
	User Torque Adjust	Available
Display Support	Mounting Pattern	100x100 / 75x75 mm
	Display Type	Single Monitor
	Panel Size Support	≤ 24"
	Support Weight (Range)	2~10Kg (4.41~22.1lbs)
Height Adjust	Height Adjustment Range	403 mm (15.87")
Cable Management	Yes	

### Ordering Information

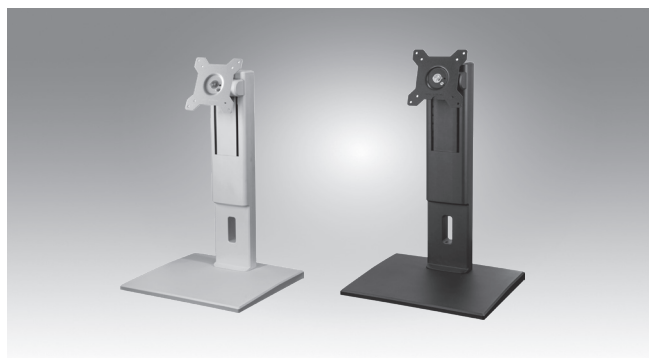
Part No.	Color	Product Description
ASK-TBSD-BTS011A01	Black	VESA 75x75, 100x100, support ≤ 24", support 2~10kg, Single carton



# Table Stand

Adjustable table mounting systems for multipurpose applications

## TBSD-BHA770L TBSD-WHA770L



### Specifications

Net Weight	4Kg (8.82lbs)	
Dimension (W x H x D)	300 x 478 x 250 mm (11.81" x 18.82" x 9.84")	
Screw Type	M4	
Material	Steel/Plastic/Aluminum	
Hinge Module	Swivel (Hinge)	360°
	Tilt (Hinge)	-5° ~ +25°
	Pivot	90°
	User Torque Adjust	Available
	Mounting Pattern	100x100 / 75x75 mm
Display Support	Display Type	Single Monitor
	Panel Size Support	24" ~ 32"
	Support Weight (Range)	4~12Kg (8.82~26.46lbs)
Height Adjust	Height Adjustment Range	130mm (5.12")
	Tension Torque Adjust	Yes
Cable Management	Yes	

### Ordering Information

Part No.	Color	Product Description
ASK-TBSD-WHA770A01	White	VESA 75x75, 100x100, support 24" ~32", support 4~12kg, Single carton
ASK-TBSD-BHA770A01	Black	VESA 75x75, 100x100, support 24" ~32", support 4~12kg, Single carton

### Dimensions

Unit: mm

