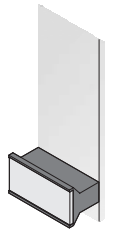
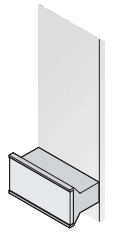
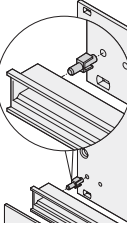
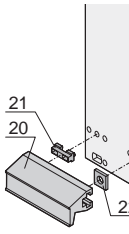
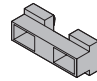
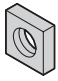
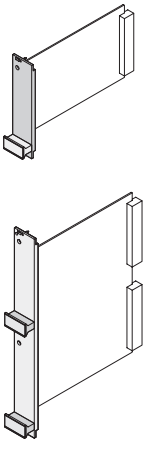


Plug-in units with static cantilever handles

Individual components

Assembly kits for static cantilever handles

Order Information

	Plastic handle in cantilever form			Al profile handle			
	Cantilever handle black	Cantilever handle grey	Fixing clip	Handle item 20	Fixing part for aluminium profile handle item 21	Square nut item 22	
	 04608132	 04608133	 04808064	 04608134	 04608135	 06707050	
	Handle: PPE, UL 94 V-1; identification plate: Al, 1.5 mm, anodised, cut edges plain; please order clip separately; required qty: 1 handle for 3 U 2 handles for 6 U			Clip, PPE, UL 94 V-0, black, mounting aid from 5 HP to 42 HP	Al extrusion, anodised; fixing part, POM, black; square nut, St, nickel-plated; at length of 1000 mm only Al extrusion	Fixing part, POM, black	DIN 562, M2.5, St, nickel-plated
Width HP	1 piece (SPQ 5) ¹⁾	1 piece (SPQ 5) ¹⁾	PU 100 pieces	1 piece (SPQ 10) ¹⁾	PU 100 pieces	PU 100 pieces	
3 / 6 U Height							
 04608128 04608129	3	20809-396	20809-294	21101-239	20809-281	21100-476	21100-359
	4	20809-397	20809-295		20809-282		
	5	20808-080	20808-003		20809-283		
	6	20808-081	20808-060		20809-284		
	7	20808-082	20808-061		20809-285		
	8	20808-083	20808-062		20809-286		
	9	20808-084	20808-063		20809-287		
	10	20808-085	20808-004		20809-288		
	12	20808-086	20808-064		20809-289		
	14	20808-087	20808-065		20809-290		
	21	20808-088	20808-066		20809-291		
	28	20808-089	20808-067		20809-292		
	40	20808-090	20808-009		—		
	42	20808-091	20808-068		20809-293		
	61	20808-092	20808-012		—		
1000 mm	—	—	30809-428				
Dimension drawings see page	7.61	7.61		7.61	7.61	7.61	

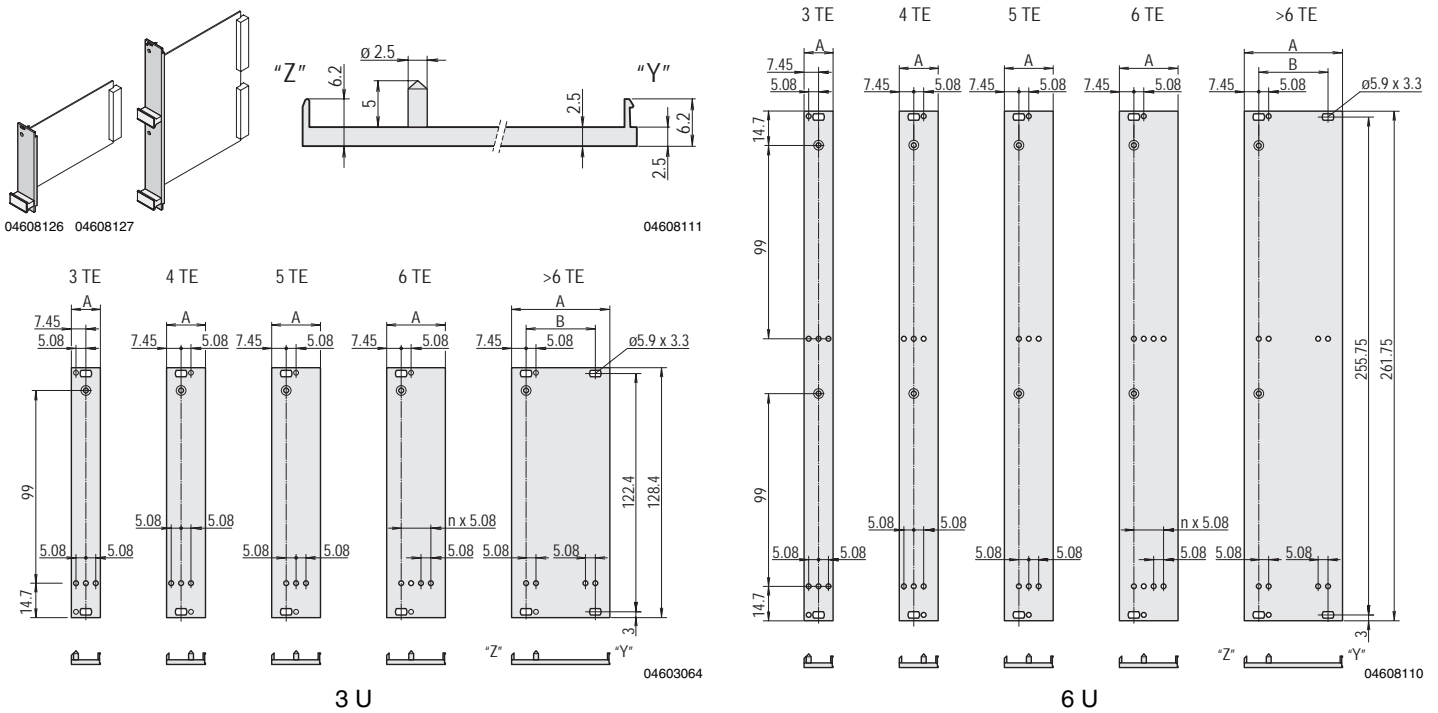
1) SPQ (standard pack quantity): Part number includes 1 piece, but delivery is exclusively made in standard pack quantity (SPQ); please order at least the SPQ quantity or a multiple

Part no. includes one packing unit (PU); delivery is exclusively made in PU

Plug-in units with static cantilever handles

Dimension drawings

Front panels, U-profile shieldable for static cantilever handles

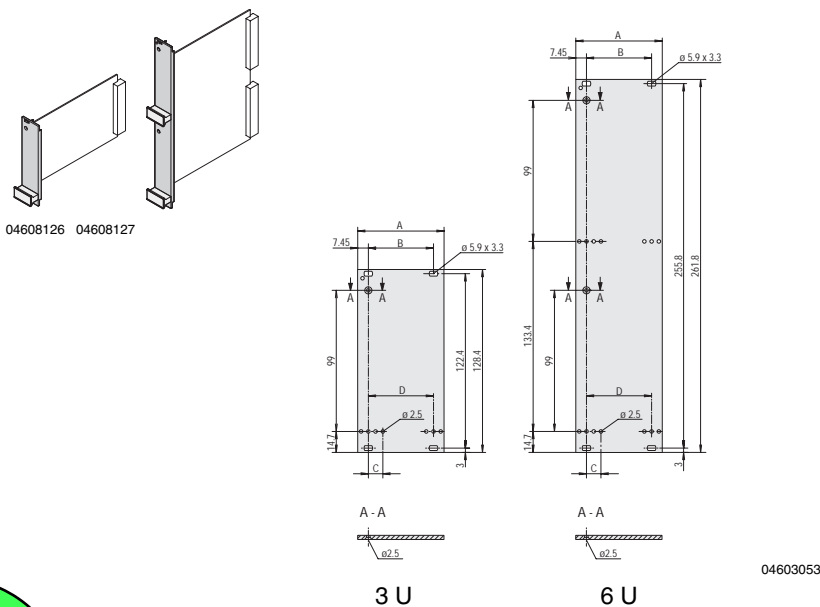


Dimensions table

Width	A	B
HP	mm	mm
3	14.90	-
4	19.98	-
5	25.06	-
6	30.14	-
7	35.22	-
8	40.30	25.40
10	50.46	35.56
12	60.62	45.72

Dimension drawings

Front panels for static cantilever handles



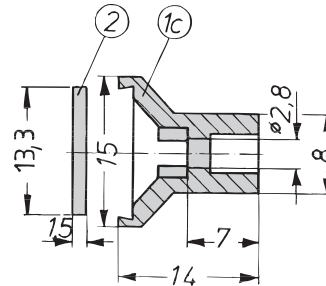
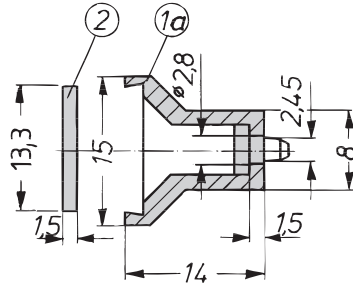
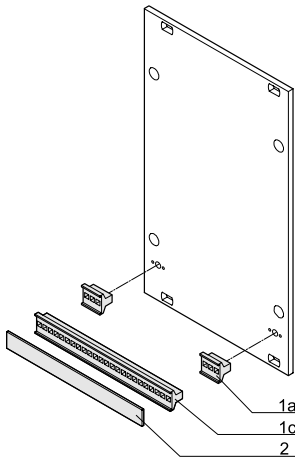
Dimensions table

Width	A	B	C	D
HP	mm	mm	mm	mm
3	14.90	-	-	-
4	19.98	-	-	-
5	25.06	-	10.16	-
6	30.14	-	-	15.24
7	35.22	-	-	20.32
8	40.30	25.40	-	25.40
10	50.46	35.56	-	35.56
12	60.62	45.72	-	45.72

Plug-in units with static cantilever handles

Dimension drawings

Static plastic cantilever handles



bga46447

a4-328a

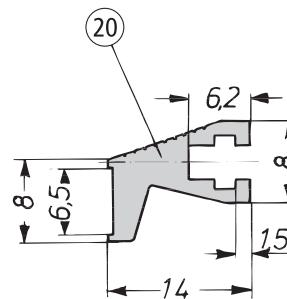
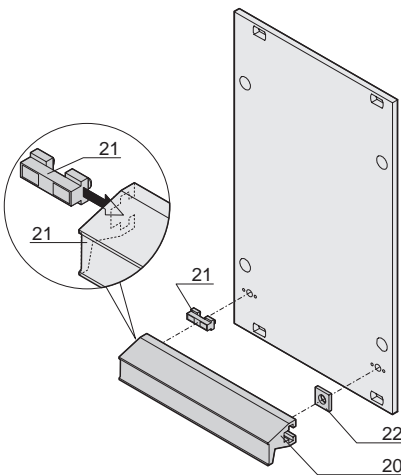
a4-328c

Dimensions table

Pos.	Width	
	HP	mm
1a	3	13.8
1a	4	18.9
1c	5	24.0
1c	6	29.0
1c	7	34.1
1c	8	39.2
1c	9	44.3
1c	10	49.4
1c	12	59.6
1c	14	69.7
1c	21	105.2
1c	28	140.8
1c	40	201.8
1c	42	212.0
1c	61	308.5

dimension drawings

Aluminium extrusion handles



04602069

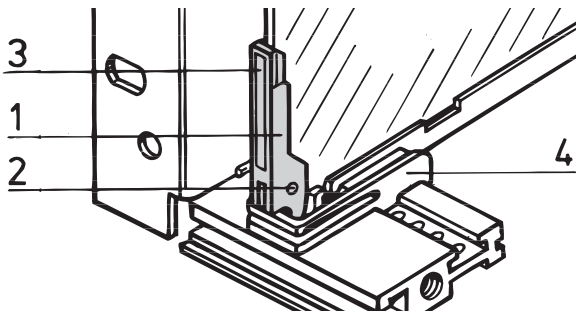
a4-328d

Dimensions table

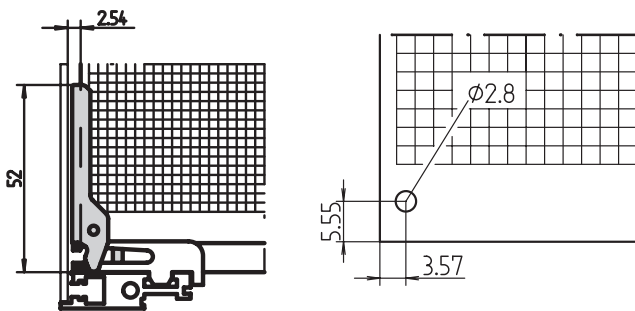
Pos.	Width	
	HP	mm
20	3	13.8
20	4	18.9
20	5	24.0
20	6	29.0
20	7	34.1
20	8	39.2
20	9	44.3
20	10	49.4
20	12	59.6
20	14	69.7
20	21	105.2
20	28	140.8
20	40	201.8
20	42	212.0
20	-	1000.0

19" chassis - *inpac*

PCB handle A



B4-2728



BZA42727 BZA42724

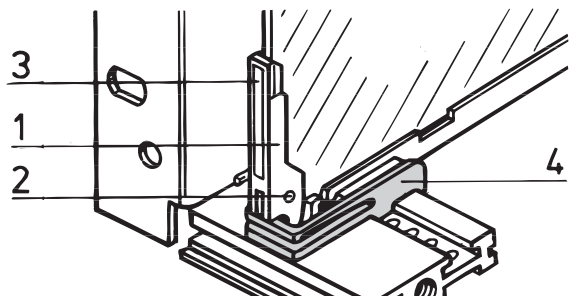
- To be mounted behind front panel, for PCB thickness 1.6 mm
- Insertion and extraction function
- Can be labelled

Order Information

Item	Description	Material	Colour	Qty/PU	Part no.
1	PCB handle A	PBT, UL 94 V-0	red	1 piece (SPQ 10)	60817-096
2	Pivot pin	Stainless steel	–	100	21100-671
3	Identification strip	Polyester film, self-adhesive	matt-silver	100	21100-672

SPQ (Standard Pack Quantity): Order number includes 1 piece, but delivery is exclusively made in Standard Pack Quantity: Therefore please order at least 10 pieces PCB handles or a multiple thereof

PCB retainer A



C4-2728

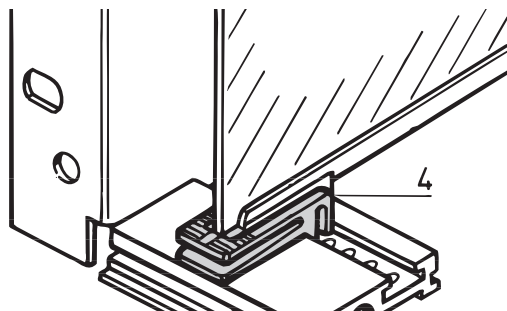
- Can be used on upper and lower horizontal rail, groove width 2 mm
- Minimum distance of guide rail 3 HP
- Can also be used without PCB handle

Order Information

Item	Description	Material	Colour	Qty	Part no.
4	PCB retainer A for top and bottom	PPE, UL 94 V-0	red	1 piece (SPQ 10)	60817-097

1) Order number includes 1 piece, but delivery is exclusively made in Standard Pack Quantity: Therefore please order at least 10 pieces PCB retainers or a multiple thereof

PCB retainer B



BZA46428

- Can be used on upper and lower horizontal rail, for PCB thickness 1.6 mm
- Can also be used without PCB handle
- Can also be used with guide blocks

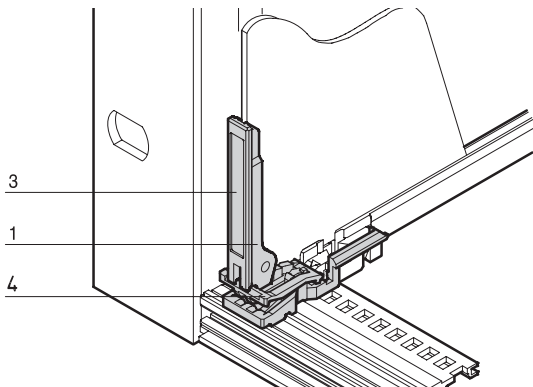
Order Information

Item	Description	Material	Colour	Qty	Part no.
4	PCB retainer, bottom	PPE, UL 94 V-0	red	1 piece (SPQ 10)	60817-054
4a	PCB retainer, top	PPE, UL 94 V-0	black	1 piece (SPQ 10)	60817-071

SPQ (standard pack quantity): Order number includes 1 piece, but delivery is exclusively made in standard pack quantity: Therefore please order at least 10 pieces PCB retainers or a multiple thereof

PCB accessories

PCB handle C



- For europacPRO, multipacPRO, ratiopacPRO, propacPRO and compacPRO
- Mounts behind front panel
- Insertion and extraction
- Can be labelled
- In accordance with IEC 60297-3-102

Order Information

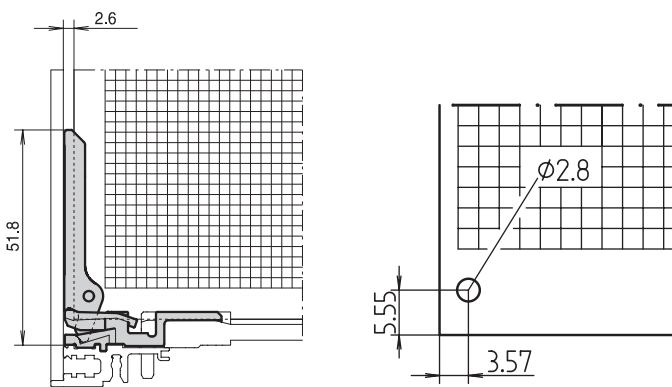
Item	Description	Material	Colour	Qty /PU	Part no.
1	PCB handle C	PBT, UL 94 V-0	red	10	24560-378
3	Identification strip (1 sheet = 438 pieces)	Polyester film, self-adhesive	white/matt	1	60817-228

Note

- Minimum spacing of guide rails 3 HP
- For board thickness 160 mm
- Please order PCB retainer C separately



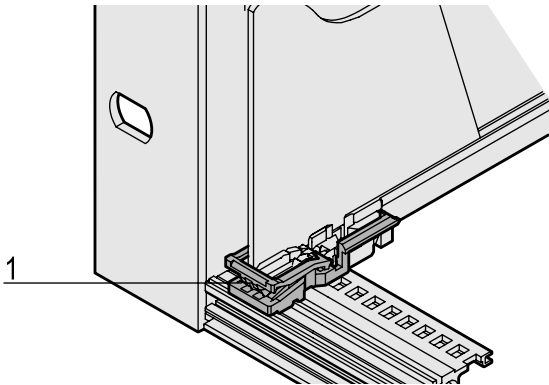
For further information www.schroff.biz/oneclick
oneClick search code = Part no.



BPA45909

BPA45910 BPA45910

PCB retainer C



- For europacPRO, multipacPRO, ratiopacPRO, propacPRO and compacPRO
- For fixing PCBs
- Can also be used without PCB handle
- Application on top and bottom horizontal rail with "accessory" type guide rail

Order Information

Item	Description	Material	Colour	Qty/PU	Part no.
1	PCB retainer C	PBT, UL 94 V-0	red	10	24560-377

Note

- Minimum spacing of the guide rail 3 HP
- Groove width 2 mm

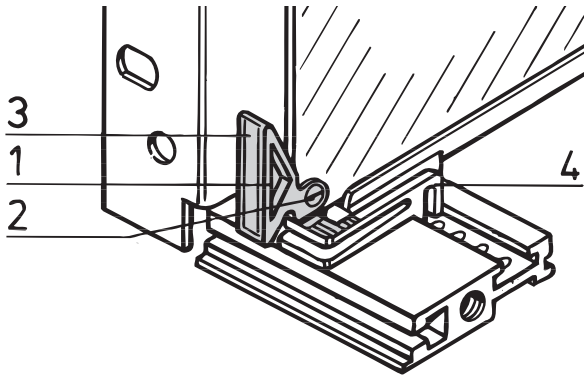


For further information www.schroff.biz/oneclick
oneClick search code = Part no.

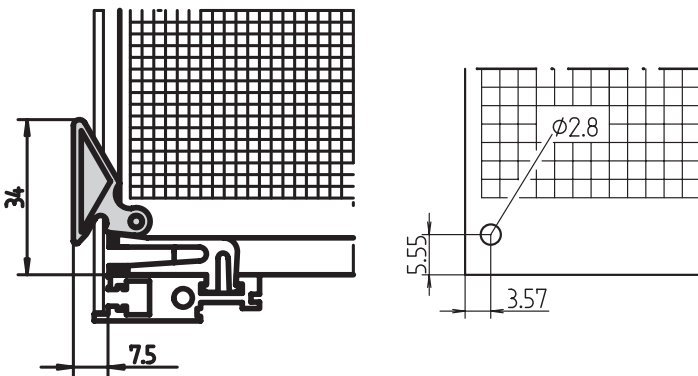
06002057

PCB accessories

PCB handle B1



B42729



BZB42725 BZA42724

- For bolting or riveting to 1.6 mm PCBs (top and bottom)
- Can be labelled
- Extraction function only

Order Information

Item	Description	Material	Colour	Qty/PU	Part no.
1	PCB handle, bolt-on	PBT, UL 94 V-0	red	1 piece (SPQ 5)	60817-067
1a	PCB handle for rivet fitting	PBT, UL 94 V-0	red	1 piece (SPQ 5)	60817-072
2	Countersunk screw	St, nickel-plated	–	100	21100-515
2a	Tubular rivet	Brass	–	100	21100-076
3	Identification strip	Polyester film, self-adhesive	white	100	21100-569

SPQ (standard pack quantity): Order number includes 1 piece, but delivery is exclusively made in standard pack quantity: Therefore please order at least 10 pieces PCB handles or a multiple thereof

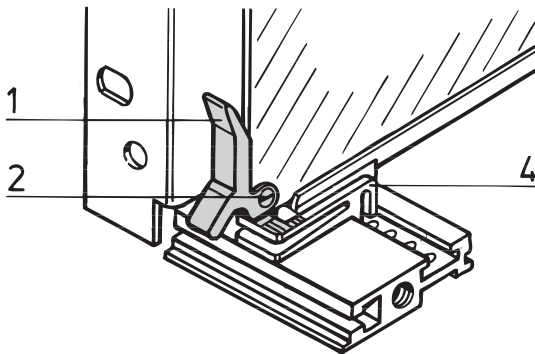
Note

- Can be used with PCB retainer B1, B2, see page 7.96

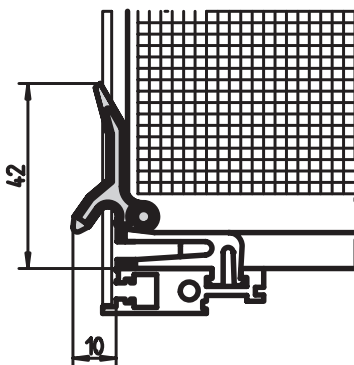


For further information www.schroff.biz/oneclick
oneClick search code = Part no.

PCB handle B2



BZA46427



BZB42726

- For bolting to PCBs (1.6 mm); can only be used on bottom horizontal rail
- Extraction function only
- Can be labelled

Order Information

Item	Description	Material	Colour	Qty/PU	Part no.
1	PCB handle	PBT, UL 94 V-0	red	1 piece (SPQ 5)	60817-055
2	Socket cap head screw with slot, M2.5 x 6	St, nickel-plated	–	100	21100-146

SPQ (standard pack quantity): Order number includes 1 piece, but delivery is exclusively made in standard pack quantity: Therefore please order at least 10 pieces PCB handles or a multiple thereof

Note

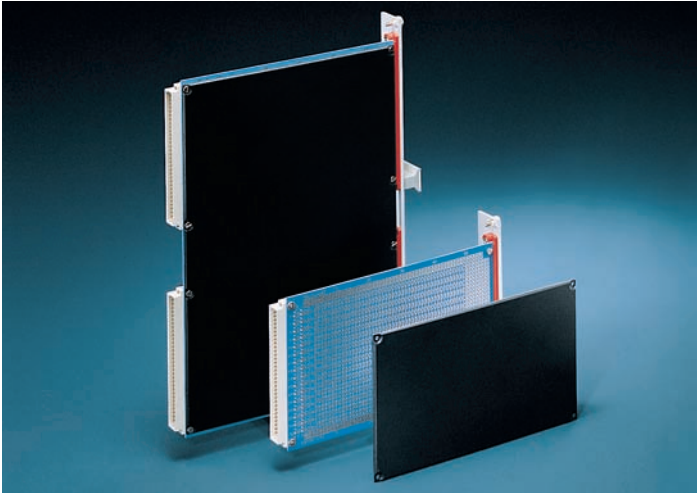
- Can be used with PCB retainer B1, B2, see page 7.96



For further information www.schroff.biz/oneclick
oneClick search code = Part no.

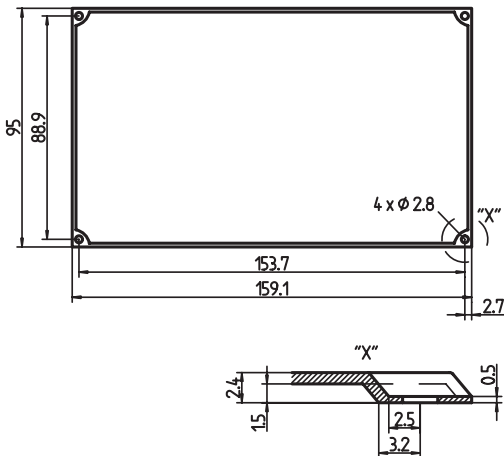
PCB accessories

PCB covers



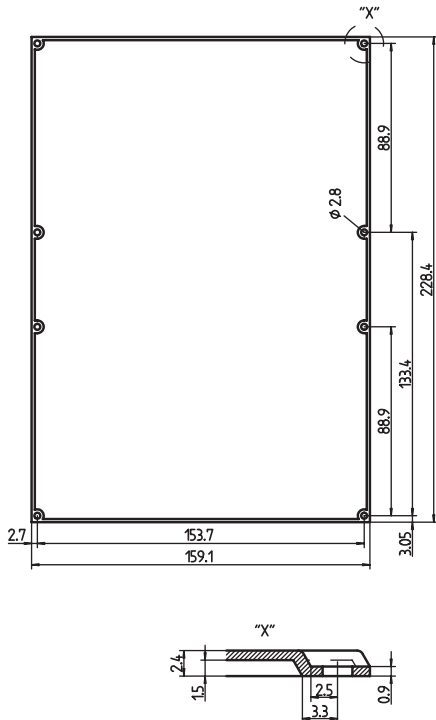
11092008

For PCB 100 × 160 mm



LKA40520

For PCB 233.35 × 160 mm



LKA30451

- Mechanical protection of the solder side

Order Information

Description	Qty	Part no.
PCB cover for euroboards (100 x 160 mm), PBT, UL 94 V-0, black	1 (SPQ 10)	61000-007
PCB cover with temperature expansion coefficient similar to FRA4 PCB; for euroboards (100 x 160 mm), LCP, UL 94 V-0, white	1 (SPQ 10)	61000-177
Board cover for double euroboards (233.35 x 160 mm), PP, UL 94 V-0, black	1 (SPQ 10)	61000-012
Slotted flathead screw M2.5 × 6, height of head 1.2 mm, PU 100 pieces		21102-007
Slotted flathead screw M2.5 × 12, height of head 1.2 mm, PU 100 pieces		21102-008

SPQ (standard pack quantity): Order number includes 1 piece, but delivery is exclusively made in standard pack quantity: Therefore please order at least 10 pieces of PCB covers or a multiple thereof

Note

- For further PCB covers see page 8.111



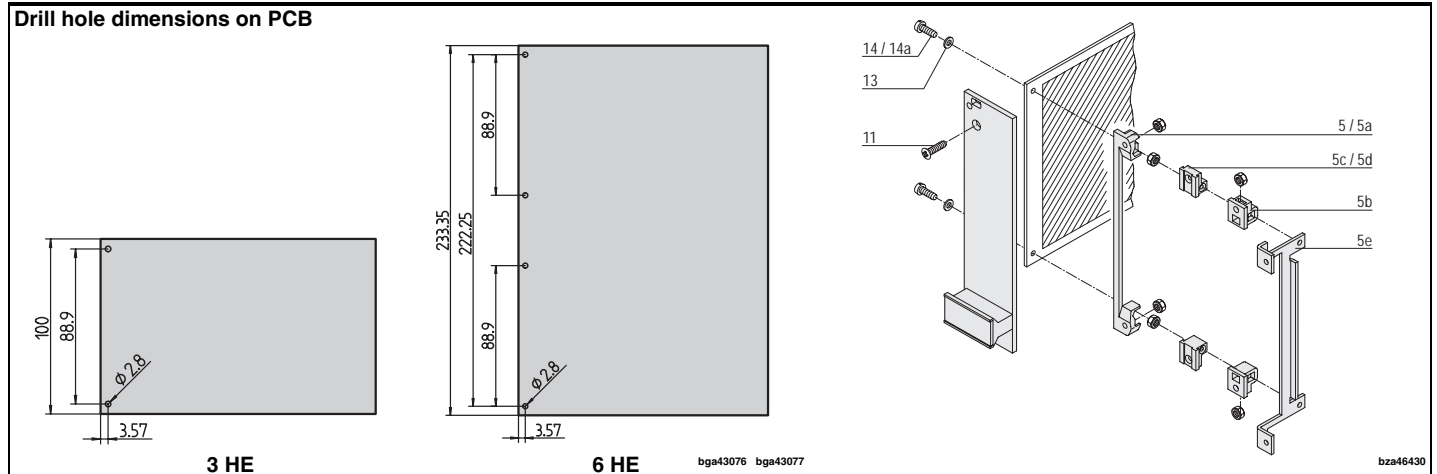
For further information www.schroff.biz/oneclick
oneClick search code = Part no.

PCB accessories

Individual components

PCB supports for cantilever handle without extraction function

Assembly kit for extractor handle in key form 2



Assembly kit	Item	Image	Required quantity		Qty/PU	Part no.
			3 U	6 U		
PCB bracket 4 clearance holes to front panel/PCB fixing, 4 recesses for hexagon nuts; PBT, UL 94 V-0, red	5		1	2	1 (SPQ 10) ¹⁾	60807-011
PCB bracket 4 M2.5 threads for front panel/PCB fixing, PBT, UL 94 V-0, grey, 1 piece	5a	 06702057	1	2	1 (SPQ 10) ¹⁾	60807-211
PCB bracket Clearance hole for front panel fixing, with recess for hexagon nut, drill hole for self-tapping screw for PCB fixing, PBT, UL 94 V-0, grey, 1 piece	5b	 06702057	2	4	1 (SPQ 10) ¹⁾	60807-183
PCB bracket 2 M2.5 threads for front panel/PCB fixing, die-cast zinc, 1 piece	13	 04608074	2	4	1 (SPQ 10) ¹⁾	60807-181
PCB bracket Thread M2.5 for front panel fixing, clearance hole for PCB fixing, die-cast zinc, 1 piece	5d	 04608074	2	4	1 (SPQ 10) ¹⁾	60807-203
PCB bracket 4 M2.5 threads for fixing of front panel/PCB for recessed mounting of PCB (20 mm), mounting depth 192.24 mm, St, zinc-plated; not for europacPRO, multipacPRO, ratiopacPRO, propacPRO or compacPRO, 1 piece	5e	 AZA46586	1	2	1 (SPQ 10) ¹⁾	30808-871

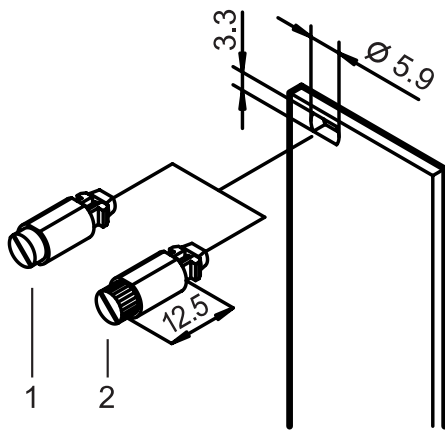
1) SPQ (standard pack quantity): Order number includes 1 piece, but delivery is exclusively made in standard pack quantity (SPQ); please order at least the SPQ quantity or a multiple thereof

Assembly parts

Assembly parts

- Quick-release fasteners
- Sleeves
- Screws
- Cage nuts
- Tools

Quick-release fasteners



06702062

- Vibration and shock proof
- 1/4 rotary lock with defined stop
- Detection of fastening position through slot position

Delivery comprises

Qty	Description
1	Locking pin, St, locking, Zn die-cast
1	Press-in sleeve, POM

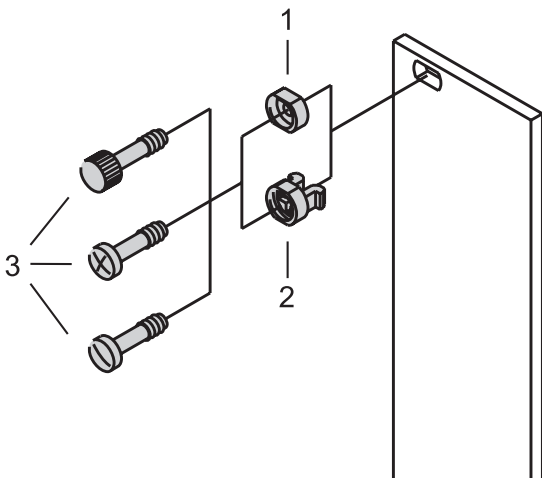
Order Information

Item	Description	Qty/PU	Part no.
1	With slotted head, grey	100	21101-847
1	With slotted head, black	100	21101-848
2	With knurled and slotted head, grey	100	21101-849
2	With knurled and slotted head, black	100	21101-850

Note

Quick-release fasteners: mounting without threaded insert

Sleeves



06702061

Order Information

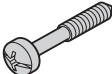
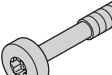
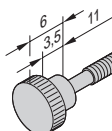
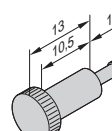
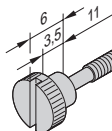
Item	Description	Qty/PU	Part no.
2	Plastic sleeve, PA, grey	100	21100-464
2	Plastic sleeve, PA, black	100	21100-591
1	Metal sleeve, brass, nickel-plated	10	21100-659
1	Metal sleeve, brass, nickel-plated	100	21100-660
1	Metal sleeve, brass, black	100	21100-886
1	Metal sleeves, stainless steel	10	21100-661
1	Metal sleeves, stainless steel	100	21100-662

Note

- Metal sleeves must be pressed-in into front panels
- Sleeve does not fit 2 HP wide front panels
- Please order collar screw (item 3) separately, see page 7.101

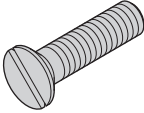

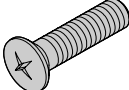
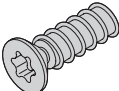
Assembly parts

Collar screws

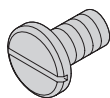
Description	Material	Dimension	Qty/PU	Part no.	
<div style="display: flex; align-items: center;">  <div> <p>Pozidrive/slotted collar screw</p> <p style="font-size: small; margin-top: 10px;">AZA46586</p> </div> </div>	St, nickel-plated	M2.5 × 11	100	21100-748	
	St, zinc-plated, black	M2.5 × 11	100	21100-749	
	V2A	M2.5 × 11	100	21101-323	
	St, nickel-plated	M2.5 × 12.3	100	21101-101	
	St, zinc-plated, black	M2.5 × 12.3	100	21101-102	
	V2A	M2.5 × 12.3	100	21101-906	
<div style="display: flex; align-items: center;">  <div> <p>Collar screw with Torx</p> <p style="font-size: small; margin-top: 10px;">AZA45941</p> </div> </div>	St, nickel-plated	M2.5 × 12.3	100	21101-782	
	St, zinc-plated, black	M2.5 × 12.3	100	21101-783	
<div style="display: flex; align-items: center;">  <div> <p style="font-size: small; margin-top: 10px;">06709050</p> </div> </div>	Brass, nickel-plated	M2.5 × 11	50	21100-268	
	Collar screw with knurled head	Brass, nickel-plated	M2.5 × 12.3	100	21101-749
		06709051	Brass, nickel-plated	M2.5 × 12.3	100
<div style="display: flex; align-items: center;">  <div> <p style="font-size: small; margin-top: 10px;">06709052</p> </div> </div>	Brass, nickel-plated	M2.5 × 12.3	100	21101-909	
<div style="display: flex; align-items: center;">  <div> <p style="font-size: small; margin-top: 10px;">06709053</p> </div> </div>	Brass, nickel-plated	M2.5 × 11	100	21101-106	

Assembly parts

Countersunk screws

	Description	Material	Dimension	Qty/PU	Part no.
 <small>aza45182</small>	Pozidrive countersunk screw	St, nickel-plated	M2,5 × 6	100	21100-515
		Nickel-plated steel	M2,5 × 12	100	21100-507
 <small>AZA46585</small>	Countersunk screw with Torx, self-tapping	St, zinc-plated	M4 × 5	100	24560-139
		St, zinc-plated	M4 × 14	100	24560-145
 <small>06702056</small>	Raised Pozidrive countersunk screw	Nickel-plated steel	M2,5 × 8	100	21100-429
		Nickel-plated steel	M2,5 × 10	100	21100-500
		St, zinc-plated, black	M2,5 × 10	100	21100-649
		Nickel-plated steel	M3 × 8	100	21100-542
 <small>06707057</small>	Countersunk screw with Torx, self-tapping	St, zinc-plated	2,5 × 7,7	100	24560-158
		St, zinc-plated, black	M3 × 8	100	21100-648

Assembly parts for drives

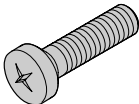
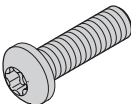
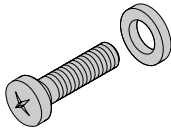
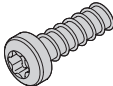

06706053

Order Information

Description	Qty/PU	Part no.
Slotted flathead screw, 6-32 UNC x 6	100	21100-712

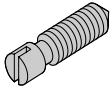
Assembly parts

Panhead screws



	Description	Material	Dimension	Qty/PU	Part no.
	Panhead Pozidrive countersunk screw	St, nickel-plated	M2.5 × 5	100	21101-314
		St, nickel-plated	M2.5 × 6	100	21101-219
		St, nickel-plated	M2.5 × 8	100	21101-069
		St, nickel-plated	M2.5 × 10	100	21101-220
		St, nickel-plated	M2.5 × 12	100	21101-221
		St, nickel-plated	M2.5 × 16	100	21101-222
		St, zinc-plated	M5 × 12	100	21100-788
06702057					
	Countersunk screw with torx	St, zinc-plated	M2.5 × 6	100	24560-159
		St, nickel-plated	M2.5 × 7	100	24560-147
		St, nickel-plated	M2.5 × 10	100	24560-148
		St, nickel-plated	M2.5 × 12	100	24560-161
		St, nickel-plated	M2.5 × 14	100	24560-162
		St, zinc-plated	M4 × 6	100	24560-135
		St, zinc-plated	M4 × 6	100	24560-151
St, zinc-plated	M4 × 10	100	24560-155		
St, zinc-plated	M4 × 14	100	24560-130		
AZA45940					
	Screw + securing washer	St, nickel-plated	M2.5 × 12	100	21100-777
		06702051			
	Panhead screw with Torx, self-tapping	St, zinc-plated, black	2.5 × 7.3	100	24560-157
		St, zinc-plated	2.5 × 9.3	100	24560-141
06707058					

Assembly parts


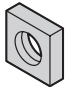
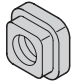
Grub screws

	Description	Material	Dimension	Qty/PU	Part no.
 <small>06702053</small>	Grub screw	stainless steel	M2.5 × 9	100	21101-359
		St, nickel-plated	M2.5 × 8	100	21100-276
		St, zinc-plated	M3.0 × 8	100	21100-646

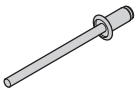
Washers

	Description	Material	Dimension	Qty/PU	Part no.
 <small>AZA45178</small>	Washer	Plastic, PA	2.7 × 5 × 1	100	21101-121
		St, nickel-plated	A2.7 DIN 125	100	21100-721
 <small>AZA45180</small>	Shakeproof washer	St, nickel-plated	A 2.6	100	21100-142

Nuts

	Description	Material	Dimension	Qty/PU	Part no.
 <small>AZA43239</small>	Hexagon nut	St, nickel-plated	M2.5	100	21100-144
 <small>04608074</small>	Square nut	St, nickel-plated	M2.5	100	21100-359
 <small>AZA45921</small>	Square nut	St, zinc-plated	M4	100	24560-140

Tubular rivets

	Description	Material	Dimension	Qty/PU	Part no.
 <small>AZA45926</small>	Tubular rivet	St/brass, raw	B2.5 × 0.25 × 5	100	21100-459