



Main

| | |
|------------------------------|--|
| Range of product | Alstart 48 |
| Product or component type | Soft starter |
| Product destination | Asynchronous motors |
| Product specific application | Heavy duty industry and pumps |
| Device short name | ATS48 |
| Utilisation category | AC-53A |
| Ue power supply voltage | 208...690 V - 15...10 % |
| Power supply frequency | 50...60 Hz - 5...5 % |
| Motor power kW | 110 KW at 500 V for standard applications 110 KW at 525 V for standard applications 110 KW at 660 V for severe applications 110 KW at 690 V for severe applications 132 KW at 660 V for standard applications 160 KW at 690 V for standard applications 37 KW at 230 V for severe applications 45 KW at 230 V for standard applications 75 KW at 400 V for severe applications 75 KW at 440 V for severe applications 90 KW at 400 V for standard applications 90 KW at 440 V for standard applications 90 KW at 500 V for severe applications 90 kW at 525 V for severe applications |
| Motor power hp | 100 Hp at 460 V for severe applications 125 Hp at 460 V for standard applications 125 Hp at 575 V for severe applications 150 Hp at 575 V for standard applications 40 Hp at 208 V for severe applications 50 Hp at 208 V for standard applications 50 Hp at 230 V for severe applications 60 hp at 230 V for standard applications |

Complementary

| | |
|---------------------------|--|
| Device connection | In the motor supply line |
| Protection type | Phase failure: line Thermal protection: motor Thermal protection: starter |
| Standards | EN/IEC 60947-4-2 |
| Product certifications | GOST CCC C-Tick TCF SEPRO NOM 117 UL CSA DNV |
| Marking | CE |
| Discrete input number | 5 |
| Discrete input type | PTC, 750 Ohm at 25 °C (Stop, Run, LI3, LI4) logic, <= 8 mA 4300 Ohm |
| Discrete input logic | Positive logic Stop, Run, LI3, LI4 at State 0: < 5 V and <= 2 mA at State 1: > 11 V, >= 5 mA |
| Minimum switching current | 10 mA at 6 V DC for relay outputs |
| Discrete output number | 2 |

| | |
|-----------------------------|---|
| Discrete output type | (LO1) logic output 0 V common configurable (LO2) logic output 0 V common configurable (R1) relay outputs fault relay NO (R2) relay outputs end of starting relay NO (R3) relay outputs motor powered NO |
| Analogue output type | Current output AO: 0-20 mA or 4-20 mA, impedance <500 Ohm |
| Communication port protocol | Modbus |
| Connector type | 1 RJ45 |
| Communication data link | Serial |
| Physical interface | RS485 multidrop |
| Transmission rate | 4800, 9600 or 19200 bps |
| Function available | External bypass (optional) |
| Operating position | Vertical +/- 10 degree |
| Height | 340 mm |
| Width | 200 mm |
| Depth | 265 mm |
| Net weight | 12.4 kg |

Environment

| | |
|---------------------------------------|--|
| Electromagnetic compatibility | Conducted and radiated emissions level A conforming to IEC 60947-4-2 Conducted and radiated emissions level B conforming to IEC 60947-4-2 Damped oscillating waves level 3 conforming to IEC 61000-4-12 Electrostatic discharge level 3 conforming to IEC 61000-4-2 Immunity to electrical transients level 4 conforming to IEC 61000-4-4 Immunity to radiated radio-electrical interference level 3 conforming to IEC 61000-4-3 Voltage/current impulse level 3 conforming to IEC 61000-4-5 |
| Relative humidity | 0...95 % without condensation or dripping water conforming to EN/IEC 60068-2-3 |
| Ambient air temperature for operation | 40...60 °C (with current derating of 2 % per °C) -10...40 °C (without derating) |
| Ambient air temperature for storage | -25...70 °C |
| Operating altitude | <= 1000 m without derating > 1000...2000 m with current derating of 2.2 % per additional 100 m |

Packing Units

| | |
|------------------------------|-----------|
| Unit Type of Package 1 | PCE |
| Number of Units in Package 1 | 1 |
| Package 1 Weight | 14.922 kg |
| Package 1 Height | 34.0 cm |
| Package 1 width | 43.0 cm |
| Package 1 Length | 46.0 cm |
| Unit Type of Package 2 | P06 |
| Number of Units in Package 2 | 2 |
| Package 2 Weight | 41.0 kg |
| Package 2 Height | 73.5 cm |
| Package 2 width | 80.0 cm |
| Package 2 Length | 60.0 cm |

Offer Sustainability

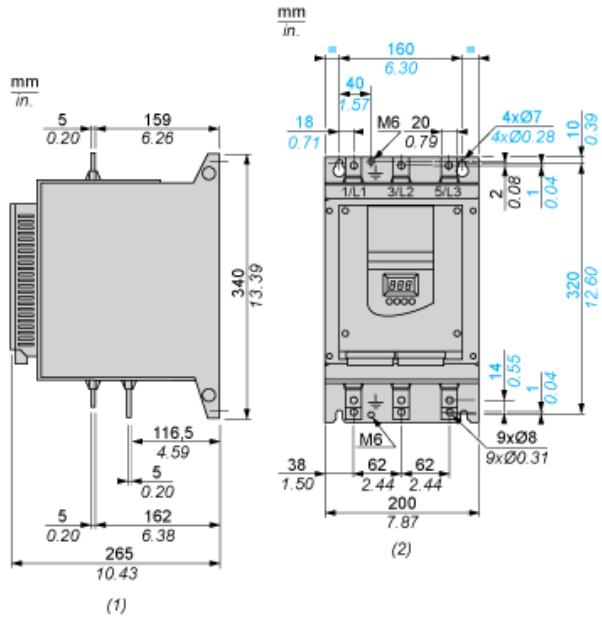
| | |
|----------------------------|--|
| Sustainable offer status | Green Premium product |
| REACH Regulation |  REACH Declaration |
| EU RoHS Directive | Pro-active compliance (Product out of EU RoHS legal scope)  EU RoHS Declaration |
| Mercury free | Yes |
| RoHS exemption information |  Yes |
| China RoHS Regulation |  China RoHS Declaration |
| Environmental Disclosure |  Product Environmental Profile |

| | |
|---------------------|---|
| Circularity Profile | End Of Life Information |
| WEEE | The product must be disposed on European Union markets following specific waste collection and never end up in rubbish bins |

Contractual warranty

| | |
|----------|-----------|
| Warranty | 18 months |
|----------|-----------|

Dimensions



- (1) Right View
- (2) Front View

Clearance

