



Main

Range of product	Altistart 48
Product or component type	Soft starter
Product destination	Asynchronous motors
Product specific application	Heavy duty industry and pumps
Device short name	ATS48
Utilisation category	AC-53A
Ue power supply voltage	208...690 V - 15...10 %
Power supply frequency	50...60 Hz - 5...5 %
Motor power kW	110 kW at 660 V for standard applications 110 kW at 690 V for standard applications 30 kW at 230 V for severe applications 37 kW at 230 V for standard applications 55 kW at 400 V for severe applications 55 kW at 440 V for severe applications 75 kW at 400 V for standard applications 75 kW at 440 V for standard applications 75 kW at 500 V for severe applications 75 kW at 525 V for severe applications 90 kW at 500 V for standard applications 90 kW at 525 V for standard applications 90 kW at 660 V for severe applications 90 kW at 690 V for severe applications
Motor power hp	100 Hp at 460 V for standard applications 100 Hp at 575 V for severe applications 125 Hp at 575 V for standard applications 30 Hp at 208 V for severe applications 40 Hp at 208 V for standard applications 40 Hp at 230 V for severe applications 50 Hp at 230 V for standard applications 75 hp at 460 V for severe applications

Complementary

Device connection	In the motor supply line
Protection type	Phase failure: line Thermal protection: motor Thermal protection: starter
Standards	EN/IEC 60947-4-2
Product certifications	UL C-Tick CSA TCF CCC NOM 117 DNV GOST SEPRO
Marking	CE
Discrete input number	5
Discrete input type	PTC, 750 Ohm at 25 °C (Stop, Run, LI3, LI4) logic, <= 8 mA 4300 Ohm
Discrete input logic	Positive logic Stop, Run, LI3, LI4 at State 0: < 5 V and <= 2 mA at State 1: > 11 V, >= 5 mA
Minimum switching current	10 mA at 6 V DC for relay outputs
Discrete output number	2

Discrete output type	(LO1) logic output 0 V common configurable (LO2) logic output 0 V common configurable (R1) relay outputs fault relay NO (R2) relay outputs end of starting relay NO (R3) relay outputs motor powered NO
Analogue output type	Current output AO: 0-20 mA or 4-20 mA, impedance <500 Ohm
Communication port protocol	Modbus
Connector type	1 RJ45
Communication data link	Serial
Physical interface	RS485 multidrop
Transmission rate	4800, 9600 or 19200 bps
Function available	External bypass (optional)
Operating position	Vertical +/- 10 degree
Height	340 mm
Width	200 mm
Depth	265 mm
Net weight	12.4 kg

Environment

Electromagnetic compatibility	Conducted and radiated emissions level A conforming to IEC 60947-4-2 Conducted and radiated emissions level B conforming to IEC 60947-4-2 Damped oscillating waves level 3 conforming to IEC 61000-4-12 Electrostatic discharge level 3 conforming to IEC 61000-4-2 Immunity to electrical transients level 4 conforming to IEC 61000-4-4 Immunity to radiated radio-electrical interference level 3 conforming to IEC 61000-4-3 Voltage/current impulse level 3 conforming to IEC 61000-4-5
Relative humidity	0...95 % without condensation or dripping water conforming to EN/IEC 60068-2-3
Ambient air temperature for operation	40...60 °C (with current derating of 2 % per °C) -10...40 °C (without derating)
Ambient air temperature for storage	-25...70 °C
Operating altitude	<= 1000 m without derating > 1000...2000 m with current derating of 2.2 % per additional 100 m

Packing Units

Unit Type of Package 1	PCE
Number of Units in Package 1	1
Package 1 Weight	14.892 kg
Package 1 Height	34.0 cm
Package 1 width	43.0 cm
Package 1 Length	46.0 cm

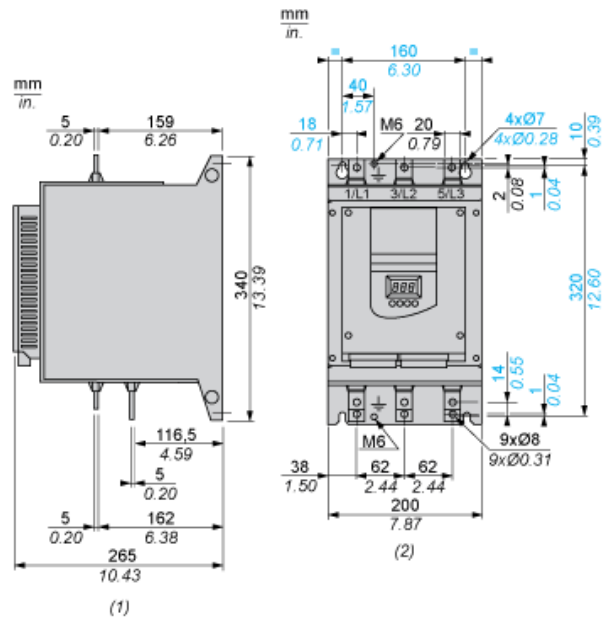
Offer Sustainability

Sustainable offer status	Green Premium product
REACH Regulation	REACH Declaration
EU RoHS Directive	Pro-active compliance (Product out of EU RoHS legal scope) EU RoHS Declaration
Mercury free	Yes
RoHS exemption information	Yes
China RoHS Regulation	China RoHS Declaration
Environmental Disclosure	Product Environmental Profile
Circularity Profile	End Of Life Information
WEEE	The product must be disposed on European Union markets following specific waste collection and never end up in rubbish bins

Contractual warranty

Warranty	18 months
----------	-----------

Dimensions



(1) Right View

(2) Front View

Clearance

