

# ACD46 15 Turns Counting Dial



46mm, 15 turns counting dial in satin-chrome finish, for precision potentiometers and other rotating devices.

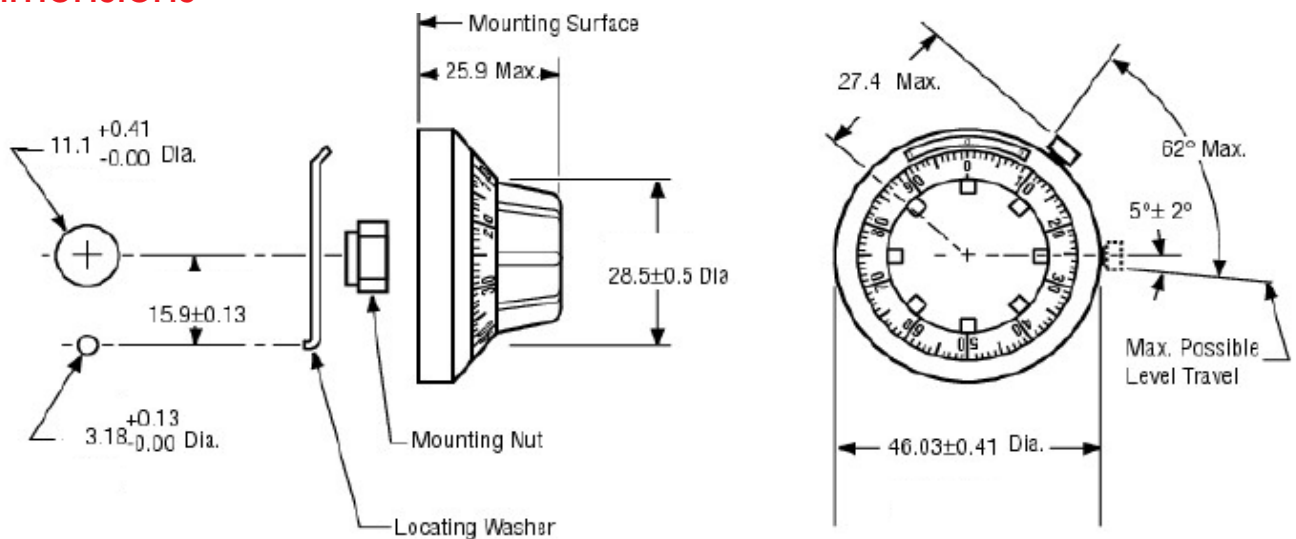
- Accepts 6.35mm (1/4 ") diameter shafts
- Excellent legibility
- Locking brake
- Supplied with allen key



## Characteristics

Number of turns:	15 turns
Dial Divisions:	100 Per turn
Diameter / Depth:	46mm / 25mm
Weight:	75 grams
Finish:	Satin-chrome with black plastic knob
Markings:	Black on chrome
Readout:	Concentric scale

## Dimensions



## Ordering Procedure

Standard product : Series, diameter, shaft dia, number of turns  
ACD46 6.35-15

ARCOL UK Limited,  
Threemilestone Ind. Estate,  
Truro, Cornwall, TR4 9LG, UK.  
T +44 (0) 1872 277431  
F +44 (0) 1872 222002  
E sales@arcolresistors.com

[www.arcolresistors.com](http://www.arcolresistors.com)

The information contained herein does not form part of a contract and is subject to change without notice. ARCOL operate a policy of continual product development, therefore, specifications may change.

It is the responsibility of the customer to ensure that the component selected from our range is suitable for the intended application. If in doubt please ask ARCOL.