



### Main

Range of product	Phaseo
Product or component type	Buffer module
Input voltage	24...28.8 V DC
Output voltage	(U <sub>in</sub> -0.25) V in nominal mode DC (U <sub>in</sub> -1) V in buffer mode DC
Maximum output current	40 A
Holding time	0.1 s at 40 A 6 s at 0.5 A

### Complementary

Input voltage limits	22...30 V
Maximum power dissipation in W	15 W
Activation threshold	(U <sub>in</sub> -1) V and 22 V min
Charging time	25 S
Number of output channels	1
Current consumption	0.6 A on load 0.1 mA no load ≤ 40.6 A
Output protection type	Against overload, protection technology: > 45 A Against short-circuits, protection technology: power-supplied mode, automatic re-set Against undervoltage, protection technology: tripping if U < 19 V
Connections - terminals	For input connection: screw type terminals, connection capacity: 2 x 0.5...2 x 10 mm <sup>2</sup> AWG 20...AWG 8 For output connection: screw type terminals, connection capacity: 2 x 0.5...2 x 10 mm <sup>2</sup> AWG 20...AWG 8 For diagnostic relay: removable screw terminal block, connection capacity: 1 x 2.5 mm <sup>2</sup> AWG 14
Fixing mode	By clips on 35 mm symmetrical DIN rail, operating position: horizontal By clips on 35 mm symmetrical DIN rail, operating position: vertical
Output coupling	Parallel
Operating altitude	2000 m
Marking	CE
Name of test	Electrostatic discharges conforming to EN/IEC 61000-4-2 Emission conforming to EN 61000-6-3 Induced electromagnetic field conforming to EN/IEC 61000-4-6 level 3 Radiated electromagnetic field conforming to EN/IEC 61000-4-3 level 3 Rapid transient conforming to IEC 61000-4-4 level 3 Surge conforming to EN/IEC 61000-4-5 level 2 Conducted/Radiated emissions conforming to EN 55022 class B, 20 %

Local signalling	1 LED (green) for buffer ready 1 relay for buffer ready
Net weight	1.2 Kg





## Environment

Product certifications	RCM EAC
Standards	UL 508 CSA C22.2 No 60950-1
Ambient air temperature for operation	-25...60 °C
Ambient air temperature for storage	-40...85 °C
Environmental characteristic	EMC conforming to EN 61000-6-3 EMC conforming to EN/IEC 61000-6-2 Safety conforming to EN/IEC 60950-1 Safety conforming to EN/IEC 61204-3
IP degree of protection	IP20 conforming to EN/IEC 60529
Dielectric strength	500 V between input and ground 500 V between output and ground
Overvoltage category	Class II conforming to VDE 0106-1
Relative humidity	0...90 % during operation 0...95 % during storage
MTBF reliability	1119603 H at 24 V DC with UTE C80-810 calculation method
Vibration resistance	2 gn (f= 11.9...150 Hz) conforming to EN/IEC 61131-2 3.5 mm (f= 3...11.9 Hz) conforming to EN/IEC 61131-2

## Packing Units

Unit Type of Package 1	PCE
Number of Units in Package 1	1
Package 1 Weight	1.401 Kg
Package 1 Height	11.5 Cm
Package 1 width	17.0 Cm
Package 1 Length	18.2 Cm
Unit Type of Package 2	P06
Number of Units in Package 2	60
Package 2 Weight	97.06 Kg
Package 2 Height	80.0 Cm
Package 2 width	80.0 Cm
Package 2 Length	60.0 Cm

## Offer Sustainability

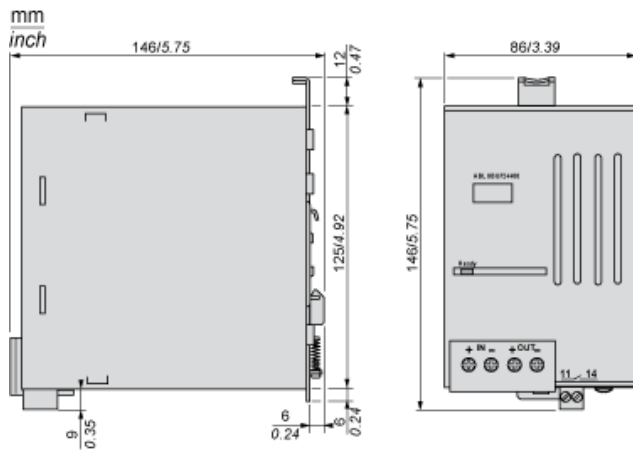
REACH Regulation	 <a href="#">REACH Declaration</a>
EU RoHS Directive	Pro-active compliance (Product out of EU RoHS legal scope)  <a href="#">EU RoHS Declaration</a>
Mercury free	Yes
RoHS exemption information	 <a href="#">Yes</a>
China RoHS Regulation	 <a href="#">China RoHS Declaration</a>
PVC free	Yes

## Contractual warranty

Warranty	18 months
----------	-----------

24...28.8 Vdc/40 A Power Supply Buffer Module

Dimensions



---

24...28.8 Vdc/40 A Power Supply Buffer Module

---

Mounting



Wiring Requirements

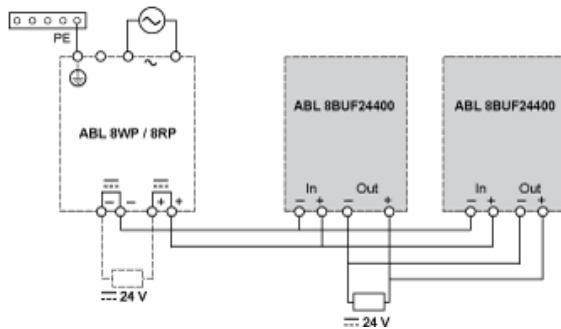
Cable Types and Wire Sizes

mm /In		ABL	8RPS24030	8RPS24050 8RPS24100	8RPM24200 8WPS24200/24400
$\varnothing \leq 4 \text{ mm}^2$ $\varnothing \leq 12 \text{ AWG}$	$\varnothing > 4 \text{ mm}^2$ $\varnothing > 12 \text{ AWG}$				
+ In -	mm <sup>2</sup> /AWG		1...4 / 16...12		
+ Out -	mm <sup>2</sup> /AWG		1...4 / 16...12	4...10 / 12...6	
	mm/In		4 / 0.16		
11...14	mm <sup>2</sup> /AWG		-	0,2...2,5 / 24...14	

Paralleling Power Supply Buffer Modules

Wiring Diagram

Two outputs of buffer modules at maximum can be connected in parallel.



Supply by R/C (NMTR2, NMTR8), (E164867), Model ABL8 series.

Product Life Status : **Commercialised**