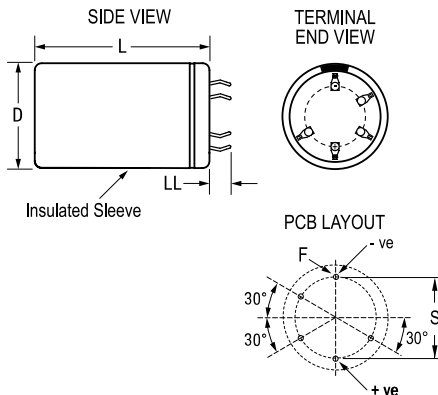


**KEMET Part Number: ALC10G222KP450**  
(A521KW222M450G)

ALC10, Aluminum Electrolytic, 2,200 uF, 20%, 450 VDC, -40/+85°C



General Information	
<b>Series:</b>	ALC10
<b>Dielectric:</b>	Aluminum Electrolytic
<b>Description:</b>	Snap-In, Aluminum Electrolytic
<b>RoHS:</b>	Yes
<b>Lead:</b>	5 Pin
<b>AEC-Q200:</b>	No
<b>Component Weight:</b>	264 g
<b>Notes:</b>	Dimensions D And L Include Slewing.
<b>Shelf Life:</b>	156 Weeks

Dimensions	
<b>D</b>	50mm +1mm
<b>L</b>	105mm +/-2mm
<b>S</b>	25mm +/-0.1mm
<b>LL</b>	6.3mm +/-1mm
<b>F</b>	2mm +/-0.1mm

Specifications	
<b>Capacitance:</b>	2,200 uF
<b>Capacitance Tolerance:</b>	20%
<b>Voltage DC:</b>	450 VDC, 495 VDC (Surge)
<b>Temperature Range:</b>	-40/+85°C
<b>Rated Temperature:</b>	85°C
<b>Life:</b>	18000 Hrs (Rated Voltage And Ripple Current At 85C), 29000 Hrs (Rated Voltage at 85C)
<b>Resistance:</b>	70 mOhms (100Hz 20C), 47 mOhms (10kHz 20C)
<b>Ripple Current:</b>	6.81 Amps (100Hz 85C), 11.12 Amps (10kHz 85C)
<b>Leakage Current:</b>	5940 uA (5min 20°C)

Packaging Specifications	
<b>Slewing:</b>	Yes
<b>Packaging:</b>	Bulk, Bag