



CIRCUIT PROTECTOR

A-0708 Series

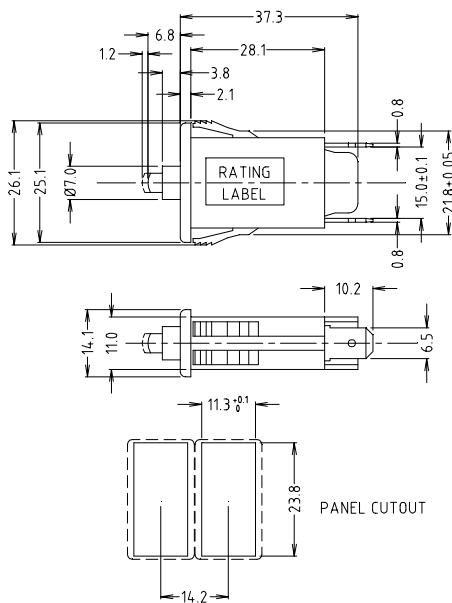
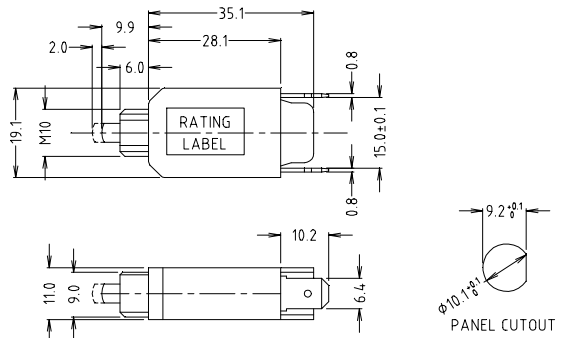
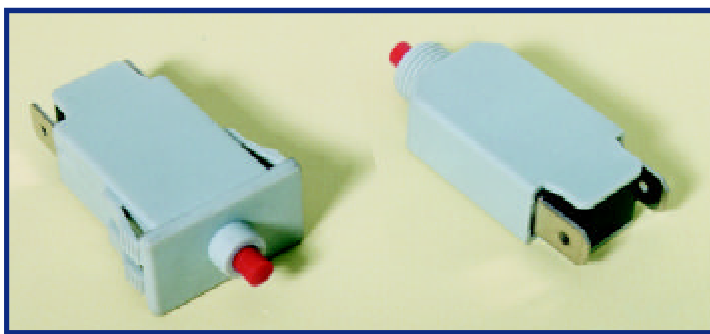
APPLICATIONS : Power supply, Amplifier, UPS, Regulator, Generator.
 Mounting options - With Nut (U Type), Snap in (W Type)
 Reset button may be black or red.

SPECIFICATION

Rating 4 - 16 Amperes in 1A. steps (13 Models).
 Input Power 32VDC / 120VAC / 240VAC
 Dielectric strength 1500VAC / 1 min.
 Interrupt capacity @ 120VAC - 1000A., @ 240 VAC - 200A.
 Calibration @ 25°C 105% of rated current - Continuous..
 @ 25°C 196% to 134% of rated current - May / May not trip.
 @ 25°C 200% of rated current - Trip within 1 minute.

E.g. 4 amp model @ 25°C 150% of rated current - Trip within 60 mins.

Contact endurance @ 120VAC / 150% of rated current - 500 cycles.



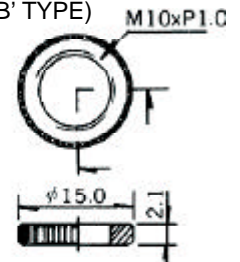
OPTION
NAMEPLATE
WASHER 'C'



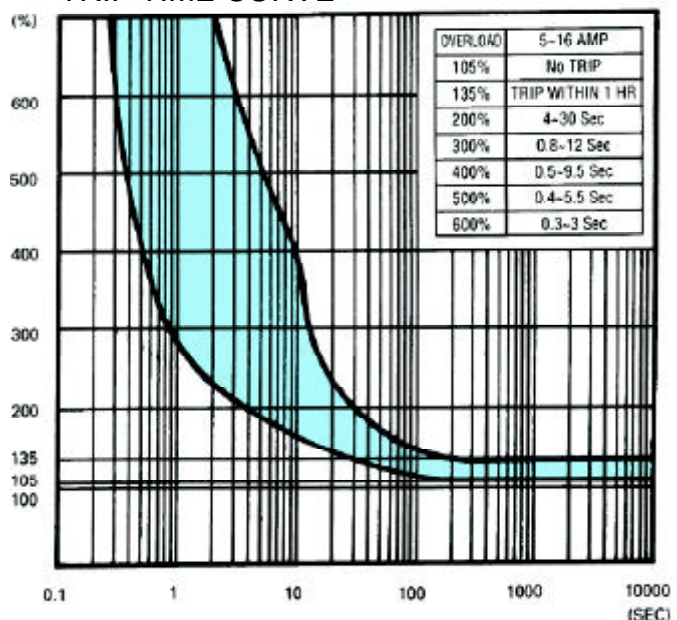
HEX NUT
'(A' TYPE)



ROUND NUT
'(B' TYPE)



TRIP TIME CURVE



Max Internal Resistance	
4A-5A	0.120Ω
5A-6A	0.100Ω
6A-7A	0.075Ω
7A-8A	0.035Ω
8A-9A	0.020Ω
10A-13A	0.015Ω
14A-15A	0.010Ω
15A-16A	0.008Ω

Derating Factor		
TEMP.	4A.	5A-16A.
10°C	x1.45	x1.20
15°C	x1.20	x1.11
20°C	x1.10	x1.06
25°C	x1.00	x1.00
30°C	x0.80	x0.93
35°C	x0.65	x0.88
40°C	x0.50	x0.83
45°C	-	x0.77
50°C	-	x0.72
55°C	-	x0.65
60°C	-	x0.58



Visit us online at:

www.cliffuk.co.uk

VDE Pending