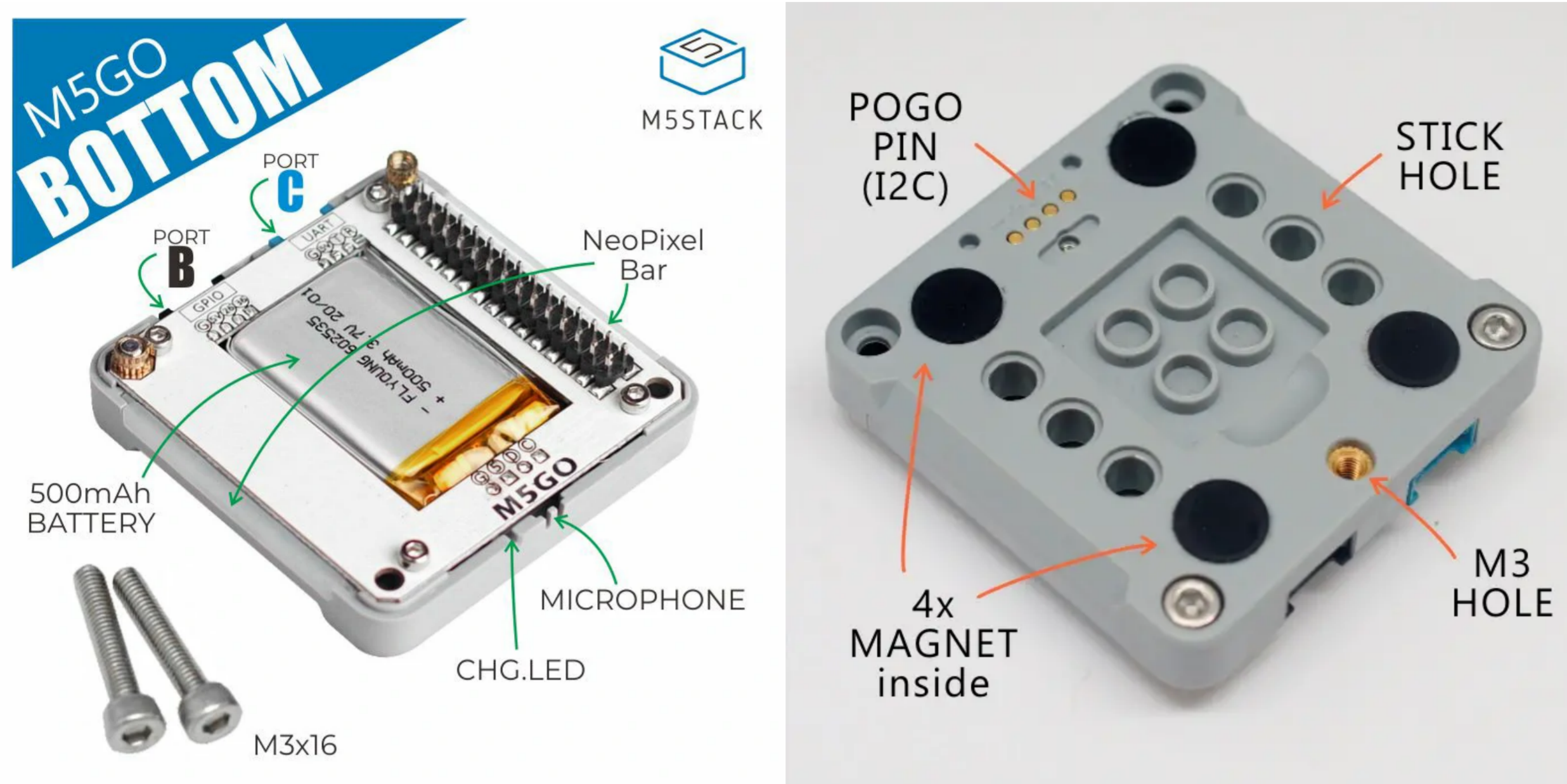


Base M5GO BOTTOM

SKU:A014



Description

M5GO BOTTOM is apparently the bottom part of M5GO which is a upgrade of basic bottoms, with a larger battery(500mAh),Analog Micphone, LED Bar , two more HY2.0 PORT(PORT B/PORT C),and more. Its back is compatible with Lego holes, and the pogo pin can be used to connect to supported I2C devices (such as BALA) or magnetic charging bases.

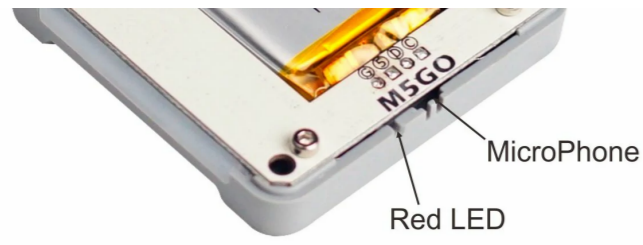
Product Features

- Compatible with M5Core
- Integrated Mic/LED Strip/HY2.0 interface
- Support UIFlow directly
- Compatible with Lego blocks
- Configurable magnetic charging base

Include

- 1x M5GO BOTTOM
- 2x M3x16 Screws





Specification

Resources	Parameter
Net weight	31g
Gross weight	49g
Product Size	54.5x48mm
Package Size	60.5x71.7mm

PinMap

Pogo Pin

POGO Pin	ESP32 Chip
SCL	GPIO22
SDA	GPIO21

LED Bar

There are 10 RGB Leds built in M5GO Base

LED Pin	ESP32 Chip
LED Pin	GPIO15

Analog MIC

Analog Microphone

MIC Pin	ESP32 Chip
MIC Pin	GPIO34

CONNEXT

PORT B(I/O)	ESP32 Chip
G36	GPIO36
G26	GPIO26
5V	5V
GND	GND

PORT C(UART2)	ESP32 Chip
RXD	GPIO16
TXD	GPIO17
5V	5V
GND	GND

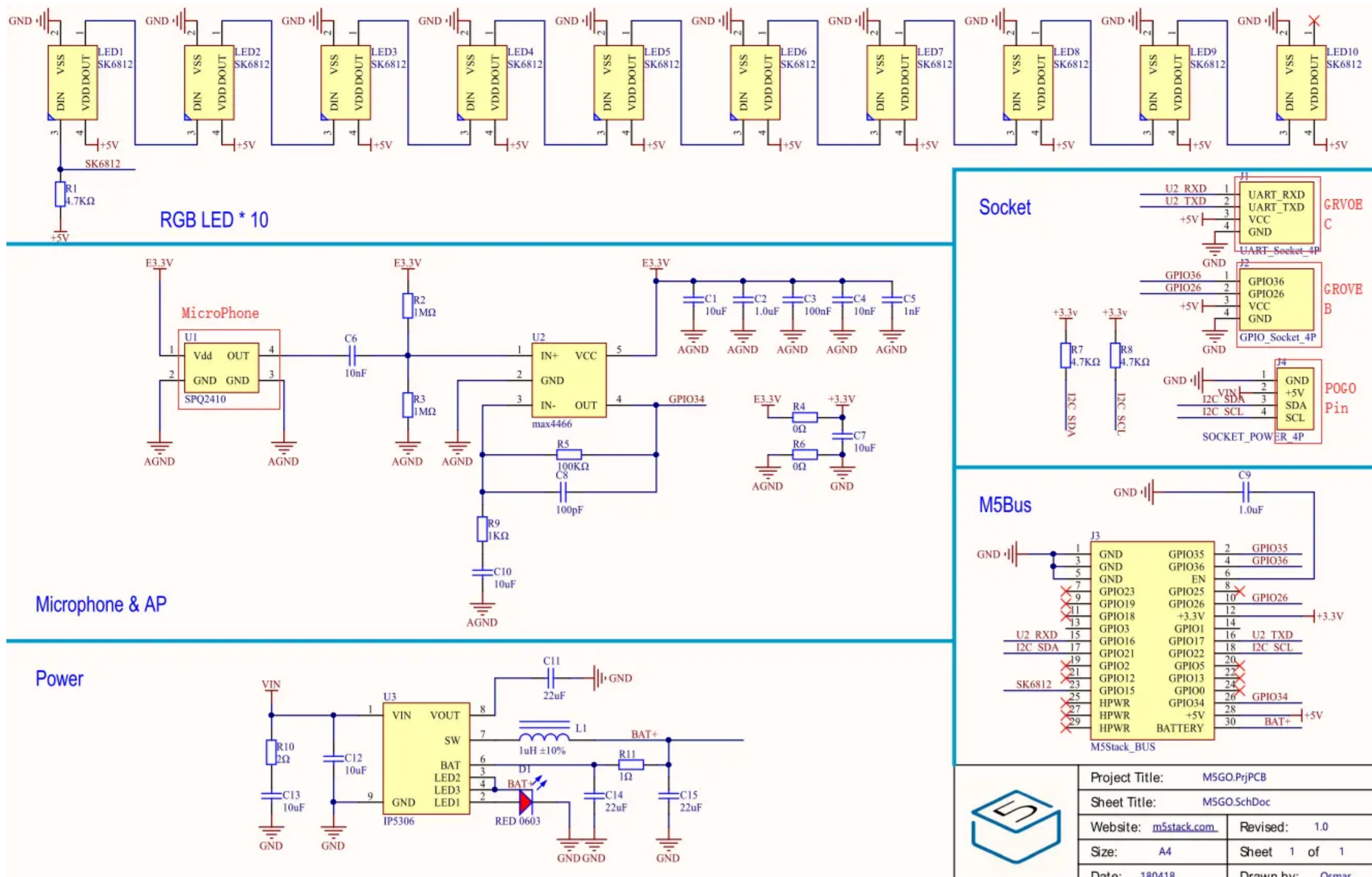
M-Bus

GPIO TYPE	Analog Function	M-BUS			Analog Function	GPIO TYPE	
		LINE 0		LINE 1			
		GND		ADC	G35	ADC1_CH7	I
		GND		ADC	G36	ADC1_CH0	I
		GND		RST	EN		
I/O/T		G23	MOSI	DAC/SPK	G25	ADC2_CH8	I/O/T
I/O/T		G19	MISO	DAC	G26	ADC2_CH9	I/O/T
I/O/T		G18	SCK	3.3V			
I/O/T		G3	RXD1	TXD1	G1		I/O/T
I/O/T		G16	RXD2	TXD2	G17		I/O/T
I/O/T		G21	SDA	SCL	G22		I/O/T
I/O/T	ADC2_CH2/T2	G2	GPIO	GPIO	G5		I/O/T
I/O/T	ADC2_CH5	G12	IIS_SK	IIS_WS	G13	ADC2_CH4/T4	I/O/T
I/O/T	ADC2_CH3/T3	G15	IIS_OUT	IIS_MK	G0	ADC2_CH1/T1	I/O/T
		HPWR		IIS_IN	G34	ADC1_CH6	I
		HPWR		5V			
		HPWR		BATTERY			

Related Link

- [M5GO IoT Starter Kit Purchase](#)

Schematic



Learn



Ukulele Tuner

Tuner for an Ukulele/Guitar, made using a M5 Core + M5Go bottom

FAQ

COMMON

Q1: Consultation for after-sales problems of products +

Describe the problems encountered in detail. Screenshots of the programs involved or files can be added as attachments and sent to M5Stack's official after-sales email

support@m5stack.com

Q2: Code Resources, Cases, User Communication +

M5Stack related resource links: Official Github

<https://github.com/m5stack>

<https://m5stack.hackster.io/>

<https://community.m5stack.com/>