

San Ace Controller

Features

Preventive maintenance of equipment (IoT functionality)

- Easy to connect to user's terminal devices. (Wireless LAN / wired LAN)
- Enables users to monitor the status of fans and sensors from remote terminal devices.
- Enables users to control the fan speed remotely via terminal devices.
- Detects outlier sensor measurements and sends alerts.
- Saves the fan's cumulative operating time and other fan measurement data to the cloud for later use.
- Prevents heat problems with user equipment, contributing to reducing maintenance time and costs.

Low noise and high energy efficiency (Automatic control)

- Stores temperature, humidity, and air pressure measurements for automatic fan speed control based on the setting conditions.
- Makes fan cooling and ventilation more efficient, reducing noise and improving efficiency.

Optimized fan settings (Manual control)

- Can connect and control a maximum of four fans, enabling different speed settings for individual fans.
- Optimizes the airflow and static pressure of individual fans in multi-fan systems.

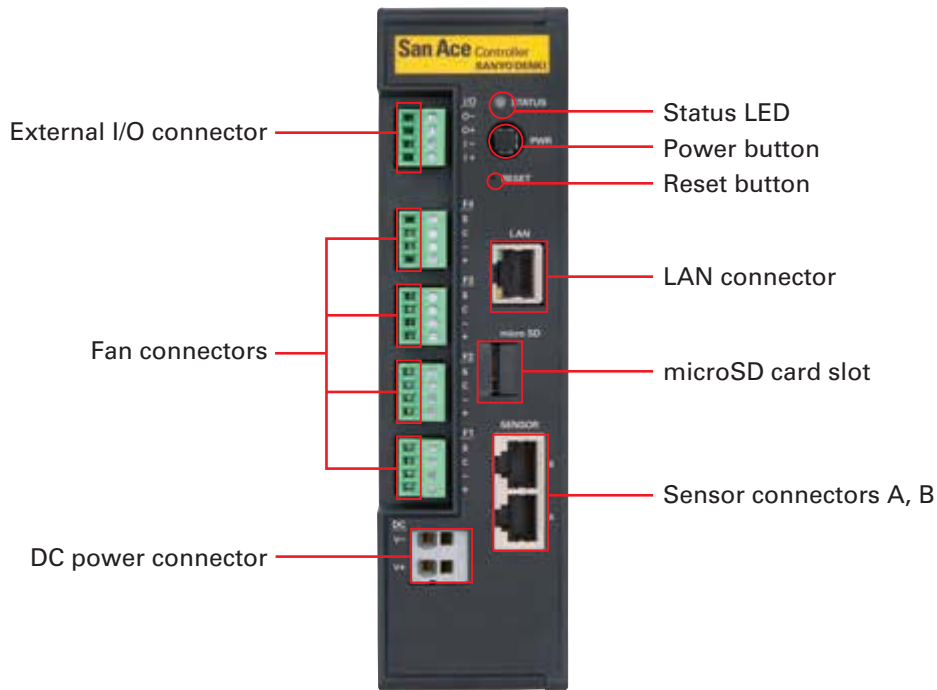


Specifications

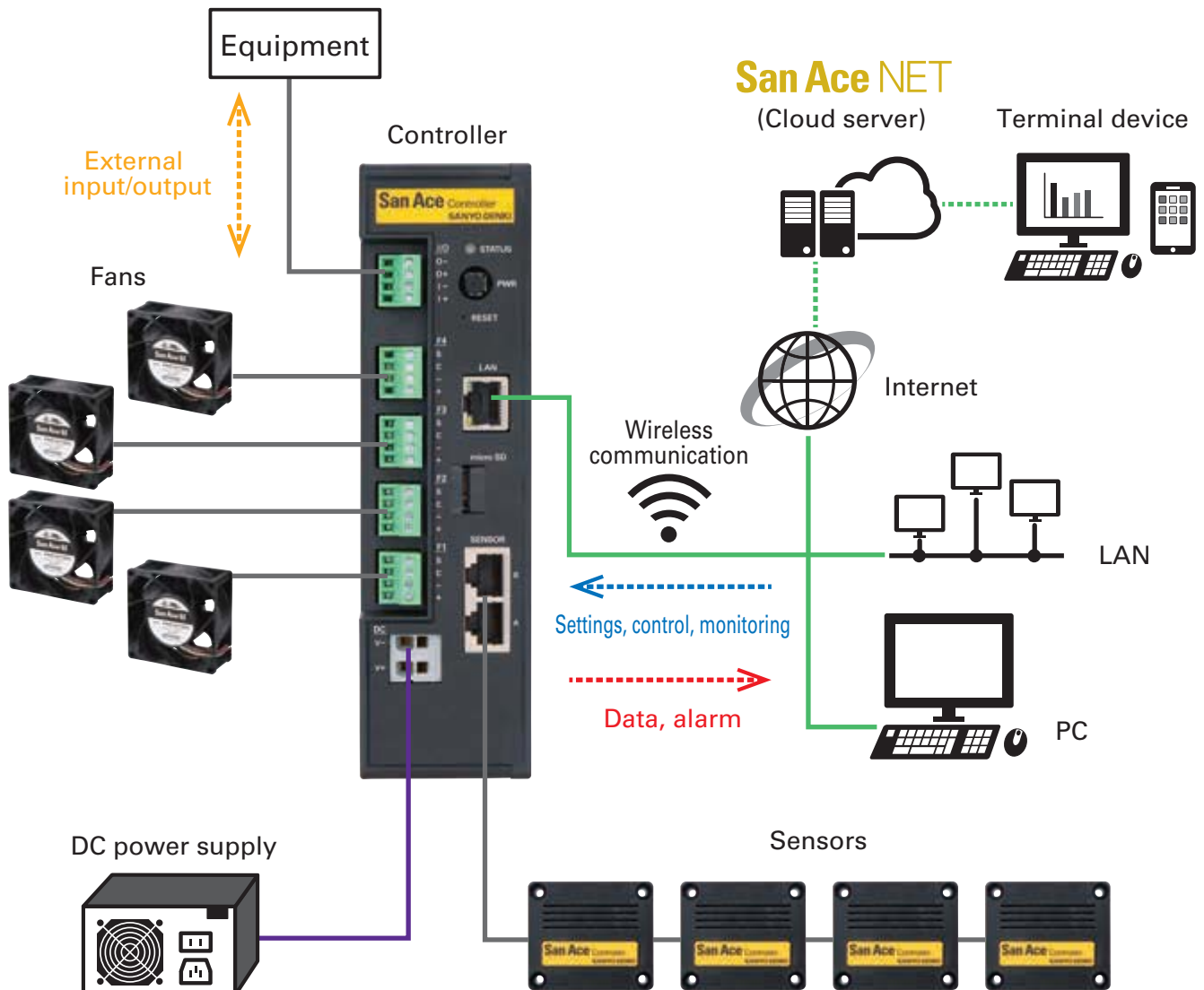
Model no.	9CT1-001	
Rated voltage [VDC]	12/24/48	
Power consumption [W]	3.1 ⁽¹⁾	
Operating voltage range [VDC]	7 to 60	
Operating temperature range [°C]	-20 to +70	
Control functions	Manual / automatic	
Control signal	PWM signal High-level voltage (V _{OH}): 3.3/5 V Frequency: 25 kHz	
Monitoring criteria	Fan speed, fan current, fan operation hours, sensor detection value, external input	
No. of connectable fans	Max. 4	
Max. fan connection terminal current	5 A (per terminal)	
No. of connectable sensors	Max. 4	
Compatible sensors ⁽²⁾	Temperature / humidity, air pressure, acceleration	
External I/O functions	Input	Photocoupler-isolated input, ON: 15 to 28.8VDC, OFF: 0 to 5 VDC
	Output	Photocoupler-isolated open-collector output, load voltage: 28.8 VDC or less, output current: 0.1 A or less
Communication	Wireless	IEEE 802.11b/g/n, frequency: 2.4 GHz ⁽³⁾
	Wired	Ethernet 10BASE-T, 100BASE-TX
Size [mm]	50 (W) × 135 (D) × 180 (H)	
Mass [g]	450	
Material	Casing: Plastic	

(1) For use of this product alone, at 20°C ambient temperature (2) Use our dedicated sensors (options). (3) Available channels: Ch. 1 to 11

Front View



System Configuration

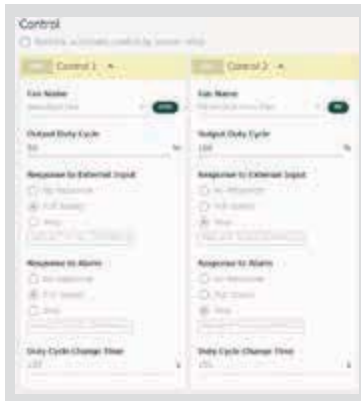


Graphical User Interface (GUI) Screens

Settings, control, monitoring, and data download can be done through web browsers.

Sample screens

Control settings



Measurement data



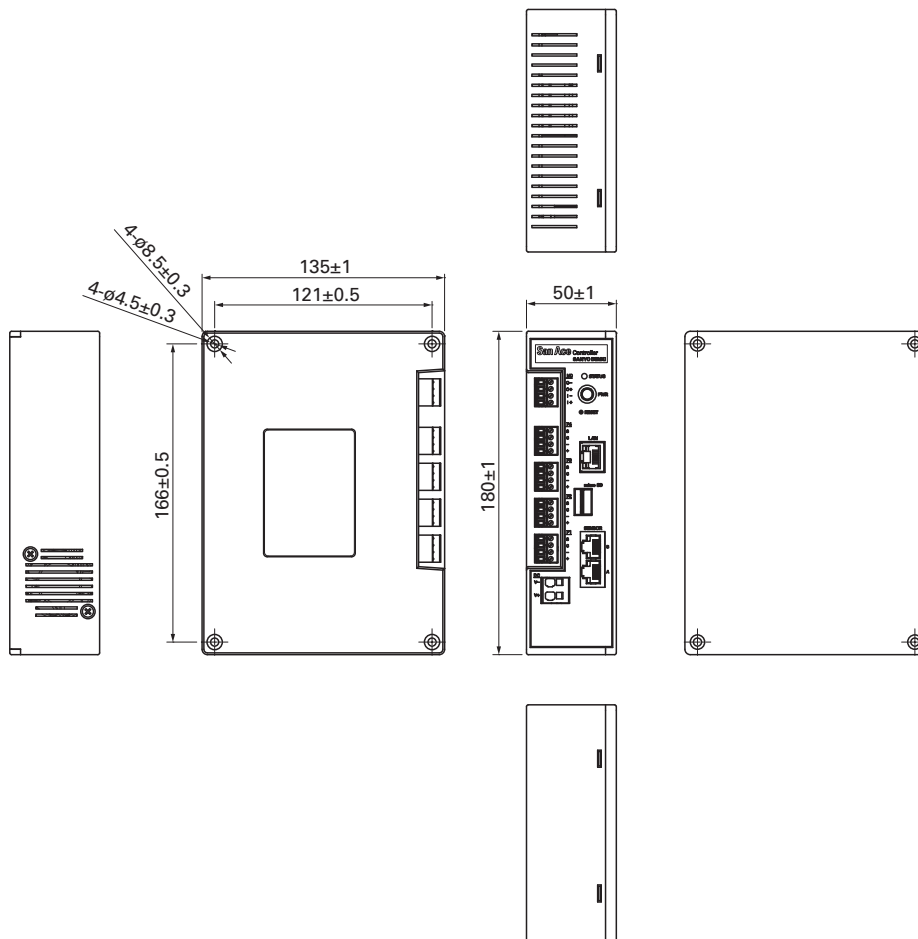
Graphs



Alarms

Alarm Name	Status	Action
F1 Fan Rotational Speed	OK	OK
F2 Fan Rotational Speed	OK	OK
F3 Fan Rotational Speed	OK	OK
F4 Fan Rotational Speed	OK	OK
F1 Fan Current	OK	OK
F2 Fan Current	OK	OK
F3 Fan Current	OK	OK
F4 Fan Current	OK	OK
F1 Fan Temperature	OK	OK
F2 Fan Temperature	OK	OK
F3 Fan Temperature	OK	OK
F4 Fan Temperature	OK	OK

Dimensions (unit: mm)



Options

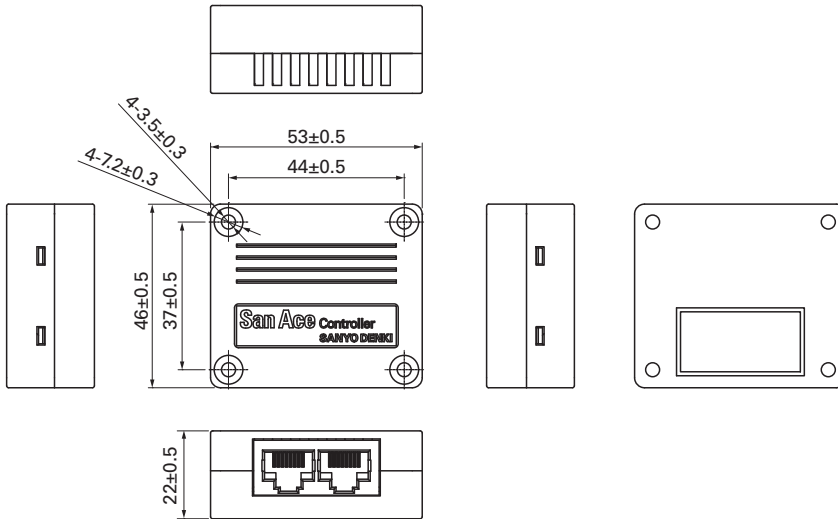
Sensors



Sensor type	Temperature / Humidity sensor	Air pressure sensor	Accelerometer
Model no.	9CT1-T	9CT1-P	9CT1-A
Measurement range	Temperature: -20 to +70°C Humidity: 20 to 85%RH ⁽¹⁾	Air pressure: 800 to 1100 hPa	Acceleration: 0 to 60 m/s ² ⁽²⁾
Operating temperature range [°C]	-20 to +70		
Operating humidity range [%RH]	20 to 85 ⁽¹⁾		
Size [mm]	53 (W) × 46 (D) × 22 (H)		
Mass [g]	35		
Material	Casing: Plastic		

(1) Non-condensing (2) Total acceleration from three axes

Dimensions (unit: mm)



Precautions on use

- Before using the product, please read the included instructions manual carefully.

Notice

- The products shown in this catalog are subject to Japanese Export Control Law. Diversion contrary to the law of exporting country is prohibited.

SANYO DENKI CO., LTD. 3-33-1 Minami-Otsuka, Toshima-ku, Tokyo 170-8451, Japan TEL: +81 3 5927 1020

<https://www.sanyodenki.com>

The names of companies and/or their products specified in this catalog are the trade names, and/or trademarks and/or registered trademarks of such respective companies. "San Ace" is a trademark of SANYO DENKI CO.,LTD.

Specifications are subject to change without notice.

CATALOG No. C1090B001 '19.2