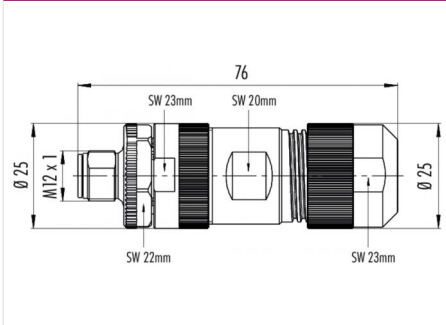


Product description	Contacts: 4, Cable outlet: 8.0 - 13.0 mm, female cable connector
Area	M12-S, M12-K Series 814 K-coding
Order number	99 0699 29 05

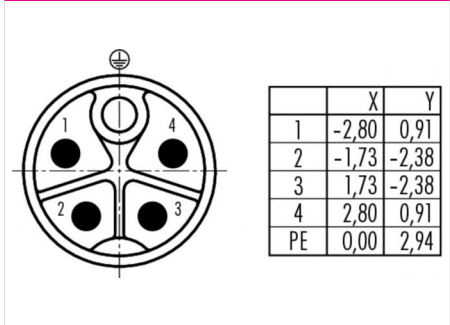
Illustration



Scale drawing



Contact arrangement



You can find the component part drawing and assembly instructions on the next page.

Technical data

General values

Connector design	cable connector
Connector locking system	bolted
Termination	screw clamp
Wire gauge (mm)	max. 2.50 mm ²
Wire gauge (AWG)	max. 14
Cable outlet	8,0 - 13,0 mm
Upper limit temperature	85 °C
Lower limit temperature	-40 °C
Customs tariff number	85369010

Electrical values

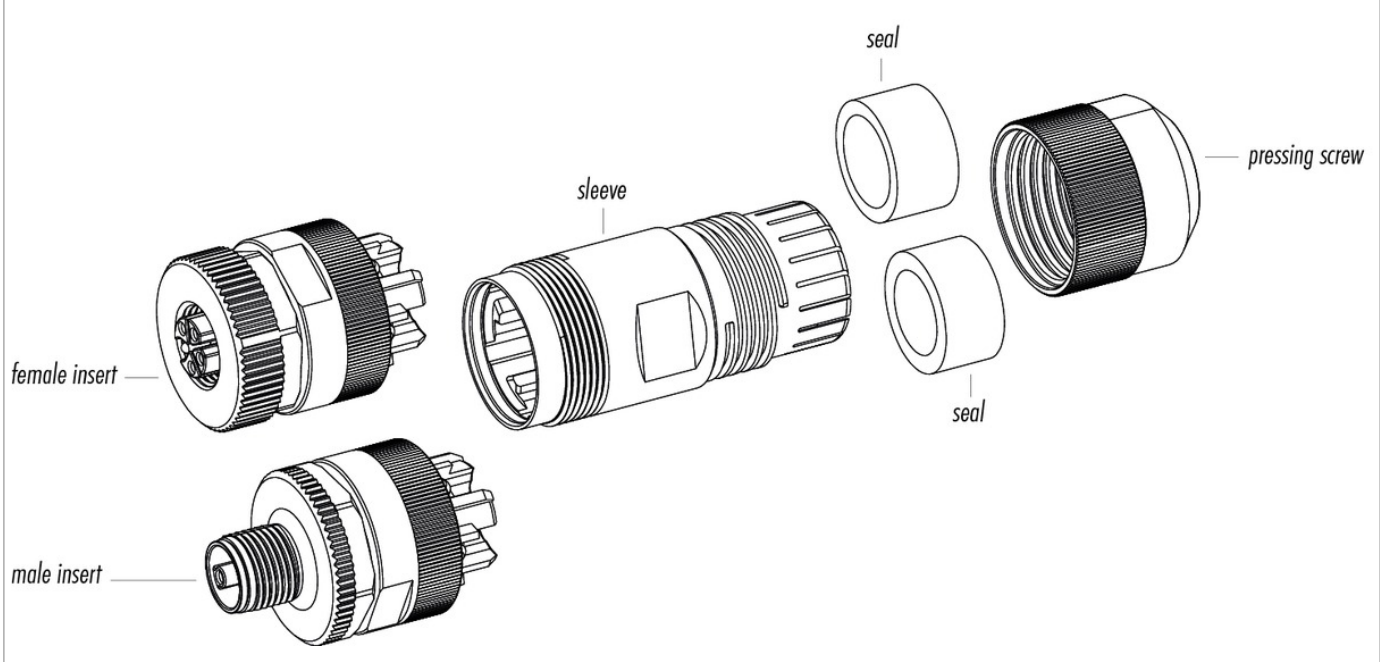
Rated current (40 °C)	12 A
Rated voltage	630 V
Rated impulse voltage UL	6000V
Rated impulse voltage	6000 V
Pollution degree	3
Overvoltage category	II
Insulating material group	II
Volume resistivity	≤ 5 mΩ
Insulation resistance	>10 ¹⁰ Ω
EMC compliance	not shielded
Degree of protection	IP67
Mechanical operation	> 100 Mating cycles

Material

Contact material	CuZn (brass)
Contact plating	Au (gold)
Contact body material	PA (UL 94 V-0)
Housing material	PA

Product description	Contacts: 4, Cable outlet: 8.0 - 13.0 mm, female cable connector
Area	M12-S, M12-K Series 814 K-coding
Order number	99 0699 29 05

Component part drawing



Assembly instructions / Panel cut-out

1. Clamp out screws until bores for single wires are completely free.
2. Optional:
Change the the pre-mounted sealing ring against the alternative sealing ring when cable diameter is bigger than 12 mm.
3. Push sleeve on cable with cable clamp.
4. Cut off cable coating,
5. Strip single cores and twist single wires.
6. Screw single wires.
7. Screw on sleeve.
8. Turn on pressing screw.

Product description	Contacts: 4, Cable outlet: 8.0 - 13.0 mm, female cable connector
Area	M12-S, M12-K Series 814 K-coding
Order number	99 0699 29 05

Security notices

The connector must not be connected or separated under load. Non-observance and incorrect use can result in personal injury.

The connectors are designed for use in plant, control system and electrical equipment. The end user is responsible for checking whether the connectors are suitable for use in other applications.

To prevent the connector being opened unintentionally when used in electrical circuits containing hazardous life parts, the thread between the housing and the connector head must be secured using a suitable cyanoacrylate adhesive. This does not apply to connectors used in SELV and PELV circuits according to IEC 61140 (EN 61140, VDE 0140-1).

Connectors used in electrical circuits containing hazardous life parts must only be assembled and used by or under the supervision of persons with the requisite electrotechnical training, taking the applicable regulations and standards into account.

The end user must take suitable safety measures to ensure that the connector cannot be disconnected accidentally. Connectors with degree of protection IP 67 and IP 68 are not suitable for use under water. When used outdoors, the connectors must be separately protected against corrosion. For further information about IP degrees of protection refer to 'Technical support' in the Download Centre.

To lock the cable connector to the equipment connector, the threaded ring is tightened until it is 'finger-tight' (approx. 50 cNm).