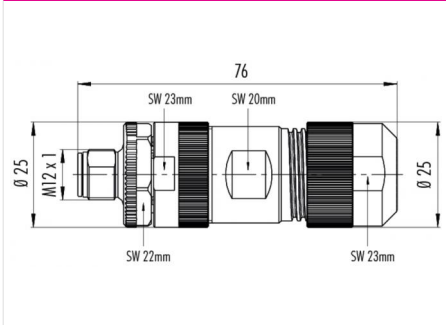


Product description	Contacts: 4+FE, Cable outlet: 6.5 - 8 mm, female cable connector
Area	M12-T, M12-L Series 813, L-coding
Order number	99 0639 29 05

Illustration



Scale drawing



You can find the component part drawing and assembly instructions on the next page.

Technical data

General values

Connector design	cable connector
Connector locking system	bolted
Termination	screw clamp
Wire gauge (mm)	max. 1.50 mm ² with ferrule / max. 2.50 mm ² without ferrule
Wire gauge (AWG)	max. 16 with ferrule / max. 14 without ferrule
Cable outlet	8,0 -13,0 mm
Upper limit temperature	85 °C
Lower limit temperature	-40 °C
Customs tariff number	85369010

Electrical values

Rated current (40 °C)	16 A
Rated voltage	63 V
Rated impulse voltage UL	1500V
Rated impulse voltage	1500 V
Pollution degree	3
Overvoltage category	III
Insulating material group	II
Volume resistivity	≤ 5 mΩ
Insulation resistance	>10 ¹⁰ Ω
EMC compliance	not shielded
Degree of protection	IP67
Mechanical operation	> 100 Mating cycles

Material

Contact material	CuZn (brass)
Contact plating	Au (gold)
Contact body material	PA (UL 94 V-0)
Housing material	PA

Product description

Contacts: 4+FE, Cable outlet: 6.5 - 8 mm, female cable connector

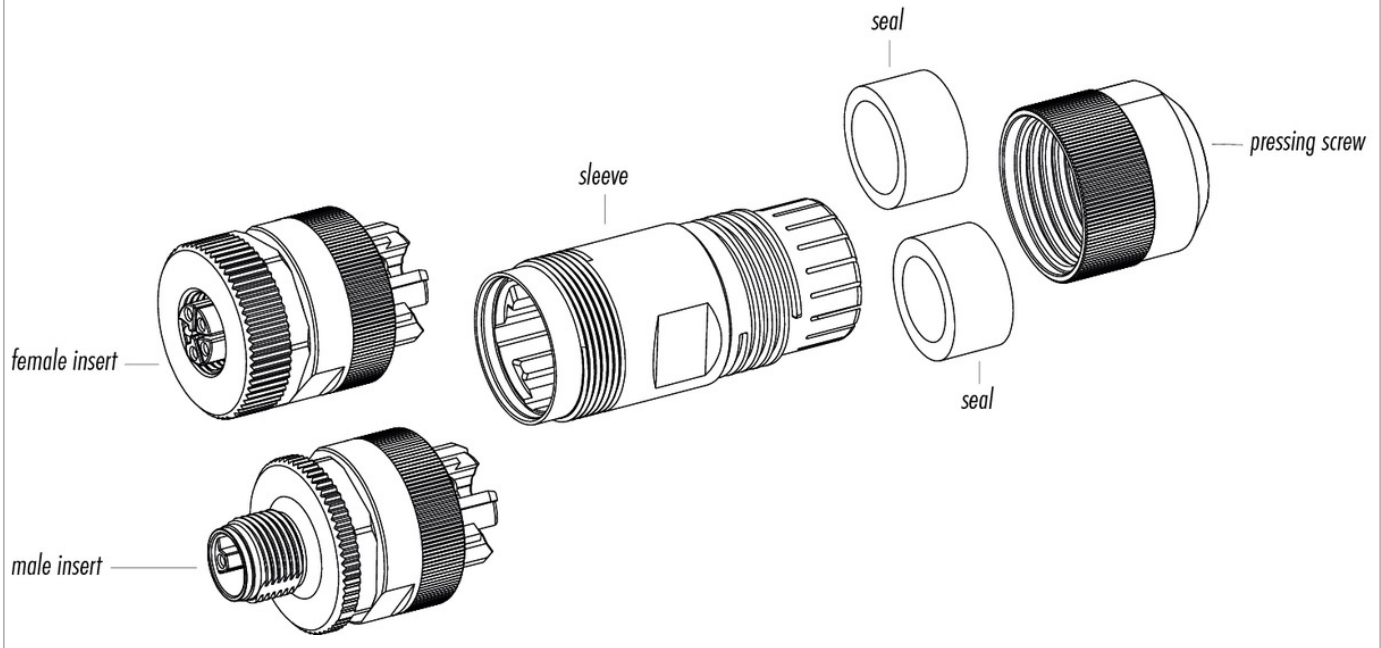
Area

M12-T, M12-L Series 813, L-coding

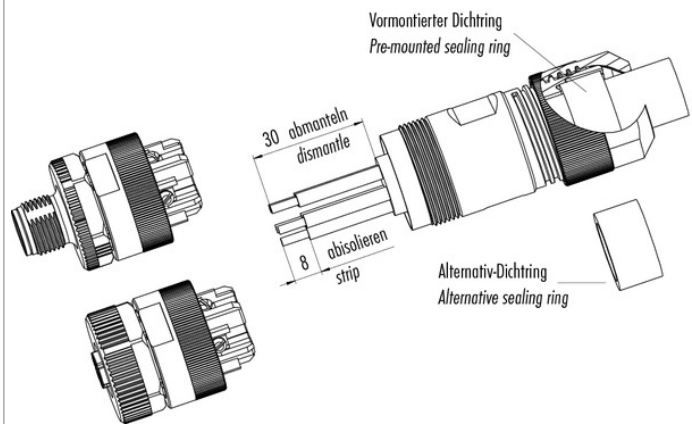
Order number

99 0639 29 05

Component part drawing



Assembly instructions / Panel cut-out



1. Klemmschrauben herausdrehen, bis Bohrungen für Litzen völlig frei sind.
2. Optional:
Bei Kabeldurchmesser über 12 mm den vormontierten Dichtring gegen beigelegten Alternativ-Dichtring tauschen.
3. Kupplungshülse mit Kabelklemmung auf Kabel schieben.
4. Kabel abmanteln.
5. Adern abisolieren und Litzen verdrehen.
6. Litzen anschrauben.
7. Kupplungshülse aufschrauben.
8. Druckschraube andrehen.

1. Clamp out screws until bores for single wires are completely free.
2. Optional:
Change the the pre-mounted sealing ring against the alternative sealing ring when cable diameter is bigger than 12 mm.
3. Push sleeve on cable with cable clamp.
4. Cut off cable coating,
5. Strip single cores and twist single wires.
6. Screw single wires.
7. Screw on sleeve.
8. Turn on pressing screw.

Product description	Contacts: 4+FE, Cable outlet: 6.5 - 8 mm, female cable connector
Area	M12-T, M12-L Series 813, L-coding
Order number	99 0639 29 05

Security notices

The connectors are designed for use in plant, control system and electrical equipment. The end user is responsible for checking whether the connectors are suitable for use in other applications.

Connectors with degree of protection IP 67 and IP 68 are not suitable for use under water. When used outdoors, the connectors must be separately protected against corrosion. For further information about IP degrees of protection refer to 'Technical support' in the Download Centre.

To lock the cable connector to the equipment connector, the threaded ring is tightened until it is 'finger-tight' (approx. 50 cNm).