

PR-21-REFLECTOR ✓ ACTIVE

Raychem

TE Internal #: 991984-000

Heat Shrink Equipment, Discrete, Worldwide, Cable Assembly, Reflector, SolderSleeve Products

[View on TE.com >](#)



Application Tooling > Heat Shrink Equipment



Equipment Processing Type: **Discrete**

Heat Shrink Equipment Region: **Worldwide**

Heat Shrink Equipment Application: **Cable Assembly**

Tooling Type: **Reflector**

Spare Parts Tooling Type: **SolderSleeve Products**

Features

Product Type Features

| | |
|--------------------------|-----------------------|
| Spare Parts Tooling Type | SolderSleeve Products |
|--------------------------|-----------------------|

Product Availability

| | |
|------------------------------|-----------|
| Heat Shrink Equipment Region | Worldwide |
|------------------------------|-----------|

Other

| | |
|---------------------------|----------|
| Equipment Processing Type | Discrete |
|---------------------------|----------|

| | |
|-----------------------------------|----------------|
| Heat Shrink Equipment Application | Cable Assembly |
|-----------------------------------|----------------|

| | |
|--------------|-----------|
| Tooling Type | Reflector |
|--------------|-----------|

Product Compliance

[For compliance documentation, visit the product page on TE.com>](#)

| | |
|------------------------------|-----------|
| EU RoHS Directive 2011/65/EU | Compliant |
|------------------------------|-----------|

| | |
|-----------------------------|------------------|
| EU ELV Directive 2000/53/EC | Not Yet Reviewed |
|-----------------------------|------------------|

| | |
|---|---|
| China RoHS 2 Directive MIIT Order No 32, 2016 | No Restricted Materials Above Threshold |
|---|---|

| | |
|--|---|
| EU REACH Regulation (EC) No. 1907/2006 | Current ECHA Candidate List: JAN 2022 (223) Candidate List Declared Against: JUN 2020 (209) SVHC > Threshold: Not Yet Reviewed |
|--|---|

| | |
|-----------------|--|
| Halogen Content | Low Halogen - Br, Cl, F, I < 900 ppm per |
|-----------------|--|

homogenous material. Also BFR/CFR/PVC Free

Solder Process Capability

Not applicable for solder process capability

Product Compliance Disclaimer

This information is provided based on reasonable inquiry of our suppliers and represents our current actual knowledge based on the information they provided. This information is subject to change. The part numbers that TE has identified as EU RoHS compliant have a maximum concentration of 0.1% by weight in homogenous materials for lead, hexavalent chromium, mercury, PBB, PBDE, DBP, BBP, DEHP, DIBP, and 0.01% for cadmium, or qualify for an exemption to these limits as defined in the Annexes of Directive 2011/65/EU (RoHS2). Finished electrical and electronic equipment products will be CE marked as required by Directive 2011/65/EU. Components may not be CE marked. Additionally, the part numbers that TE has identified as EU ELV compliant have a maximum concentration of 0.1% by weight in homogenous materials for lead, hexavalent chromium, and mercury, and 0.01% for cadmium, or qualify for an exemption to these limits as defined in the Annexes of Directive 2000/53/EC (ELV). Regarding the REACH Regulation, the information TE provides on SVHC in articles for this part number is based on the latest European Chemicals Agency (ECHA) 'Guidance on requirements for substances in articles' posted at this URL: <https://echa.europa.eu/guidance-documents/guidance-on-reach>

Compatible Parts



TE Part # EG1115-000
CV1981-ST-230V1600W-CH



TE Part # EG1114-000
CV1981-ST-230V1600W-EU

Customers Also Bought



TE Part #0460-202-16141
DEUTSCH SOLID CONTACTS



TE Part #282104-1
AMP SUPERSEAL 1.5MM,
CONNECTOR HOUSING



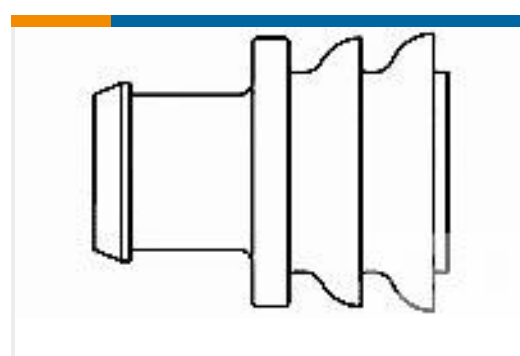
TE Part #206070-8
CABLE CLAMP KIT #17



TE Part #DT04-2P
DEUTSCH DT Series Housings &
Connectors



TE Part #W2S
DEUTSCH DT WEDGELOCKS



TE Part #281934-2
SINGLE WIRE SEAL

Documents



Product Drawings

PR-21-REFLECTOR

English

Datasheets & Catalog Pages

RAYCHEM_TUBING_CATALOG_SEC2_APPLICATION_EQUIPMENT

English

Raychem Application Tooling

English