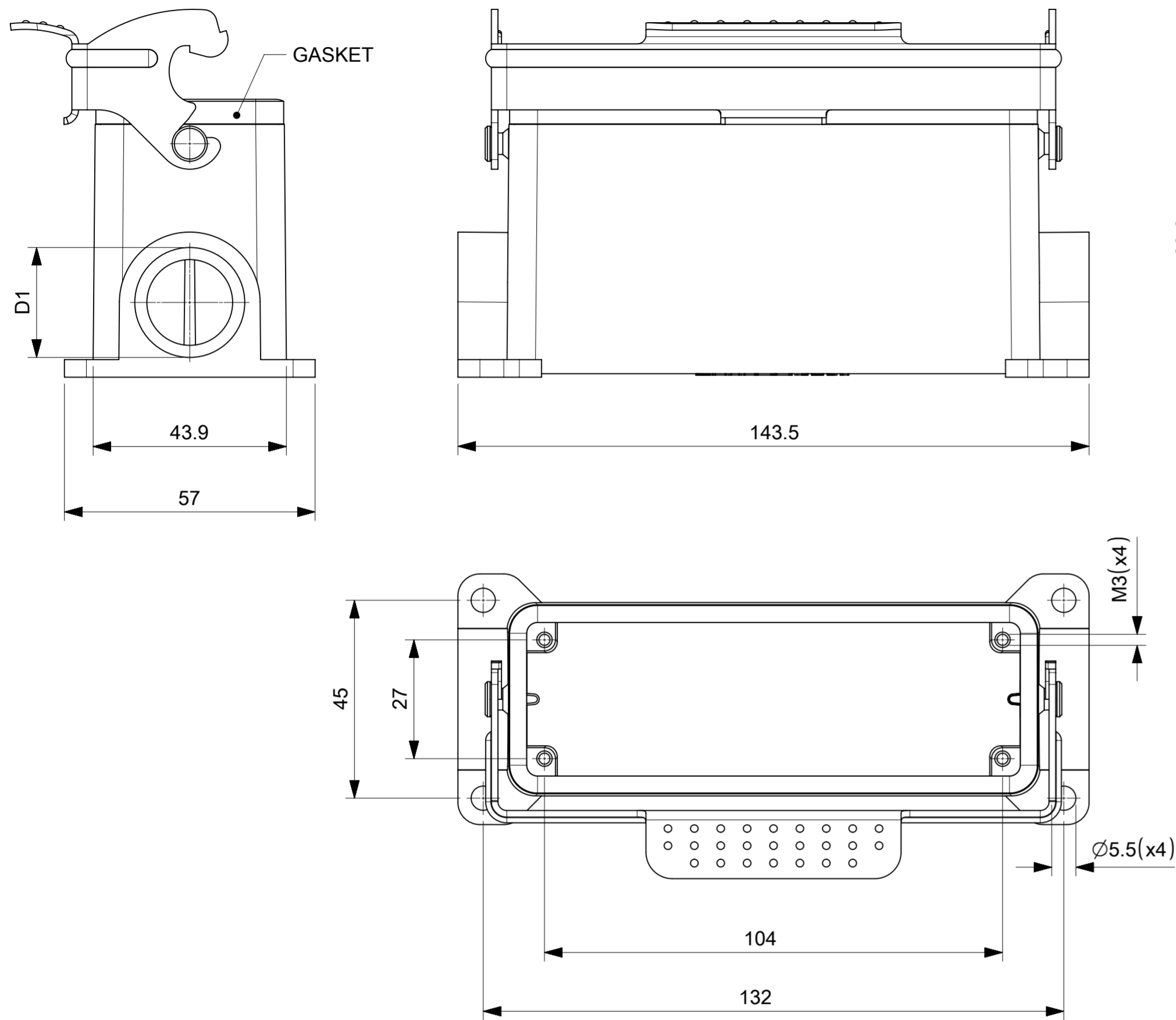
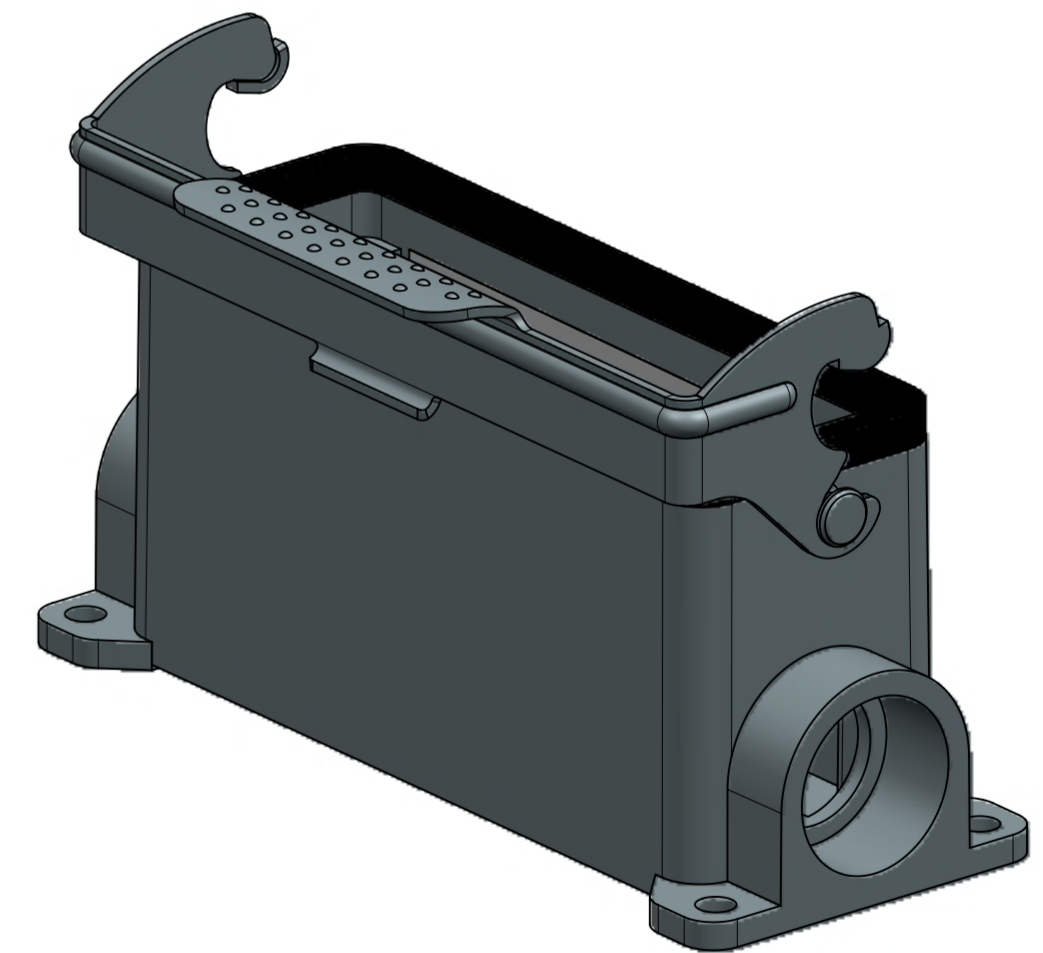
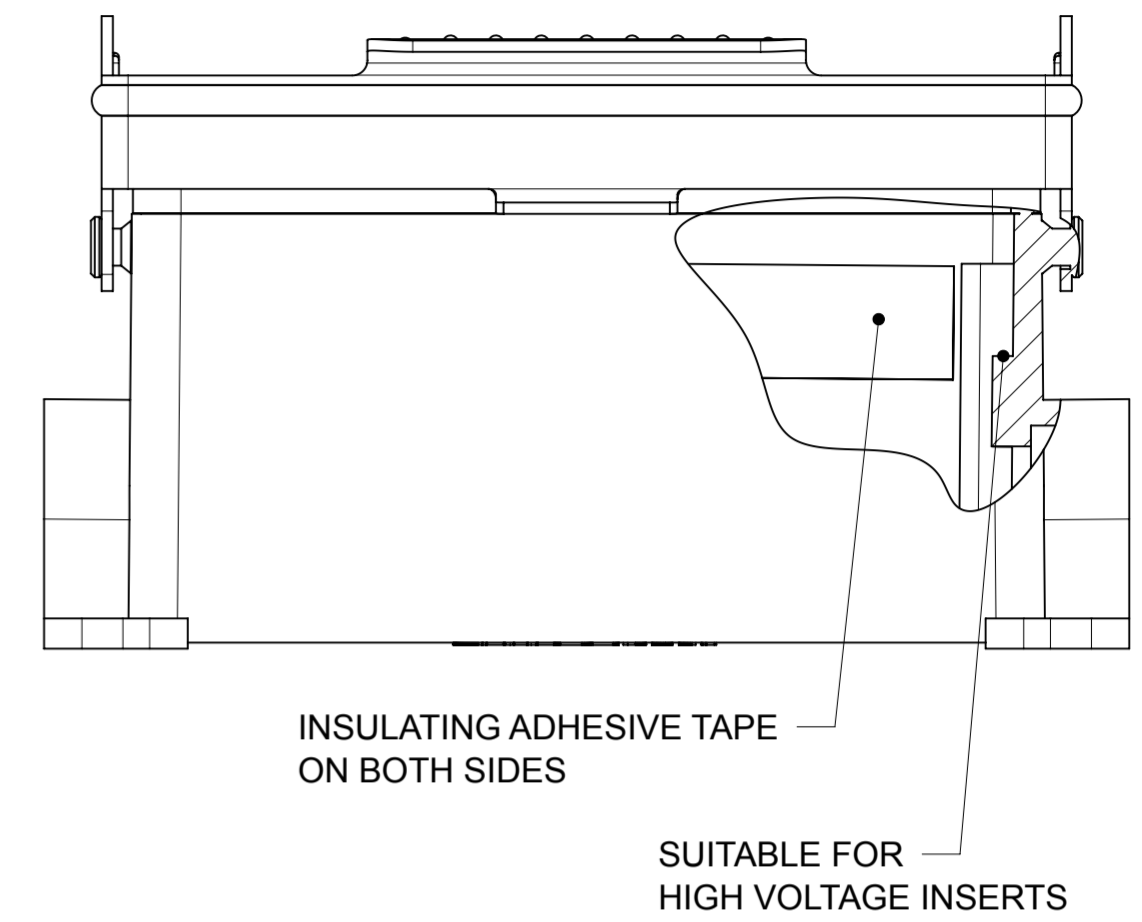


STANDARD VERSION



STANDARD HIGH VOLTAGE VERSION



SAP.No.	Eng.No.	TYPE	D1	D2
936013510	7824.6357.0	STANDARD	M25	-
936013513	7824.6358.0	STANDARD	M25	M25
936013488	7824.6307.0	STANDARD	Pg21	-
936013491	7824.6308.0	STANDARD	Pg21	Pg21
936013512	7824.6357.2	STANDARD HIGH VOLTAGE	M25	-
936013515	7824.6358.2	STANDARD HIGH VOLTAGE	M25	M25
936013490	7824.6307.2	STANDARD HIGH VOLTAGE	Pg21	-
936013493	7824.6308.2	STANDARD HIGH VOLTAGE	Pg21	Pg21

THIS DRAWING CONTAINS INFORMATION THAT IS PROPRIETARY TO MOLEX ELECTRONIC TECHNOLOGIES, LLC AND SHOULD NOT BE USED WITHOUT WRITTEN PERMISSION									
SYMBOLS ▽ = 0 ▽ = 0 ▽ = 0 ▽ = 0 ▽ = 0 ▽ = 0 ▽ = 0 ▽ = 0 ▽ = 0 ▽ = 0 ▽ = 0	DIMENSION UNITS mm	SCALE 1:1	CURRENT REV DESC:						
	GENERAL TOLERANCES (UNLESS SPECIFIED)		EC NO: 176847		molex 24B STANDARD AND HIGH VOLTAGE SURFACE HOUSING 1 LEVER PRODUCT CUSTOMER DRAWING				
ANGULAR TOL ± °		DRWN: AKHEMIRI 2018/04/23							
4 PLACES ±		CHK'D: DMERONI 2018/05/16		DOCUMENT NUMBER		DOC TYPE	DOC PART	REVISION	
3 PLACES ±		APPR: AMELZI 2018/05/17		936013512		PSD	000	A	
2 PLACES ±		INITIAL REVISION:		MATERIAL NUMBER		CUSTOMER			
1 PLACE ±		DRWN: AKHEMIRI 2018/04/23		93601		GENERAL MARKET			
0 PLACES ±		APPR: AMELZI 2018/05/17		SEE TABLE		SHEET NUMBER			
DRAFT WHERE APPLICABLE MUST REMAIN WITHIN DIMENSIONS		FIRST ANGLE PROJECTION		DRAWING		SERIES		SHEET NUMBER	
		A2-SIZE		93601		1 OF 1			