

4

3

2

1

D

D

C

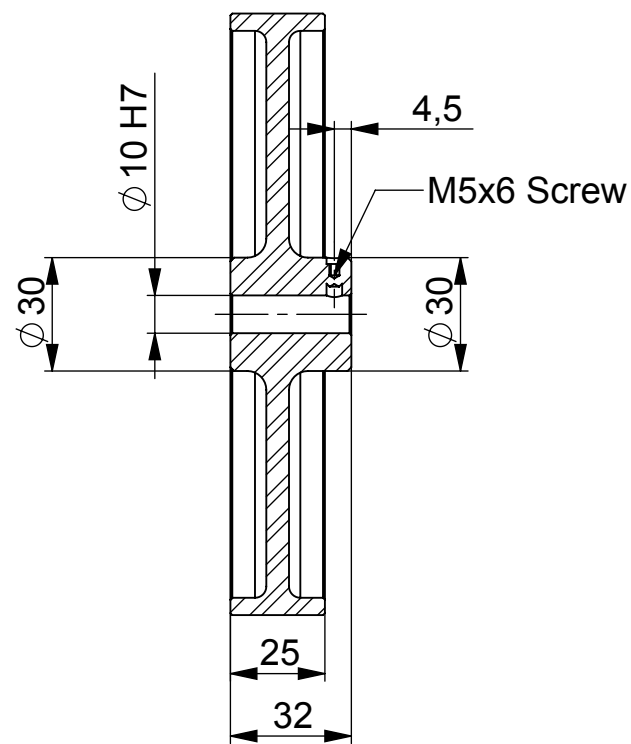
C

B

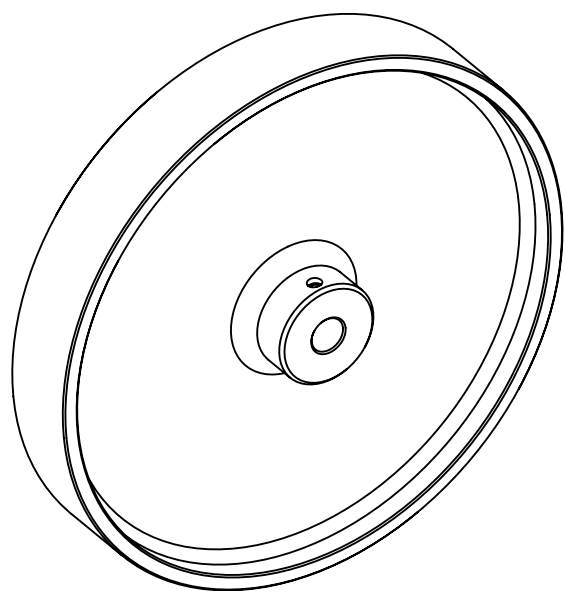
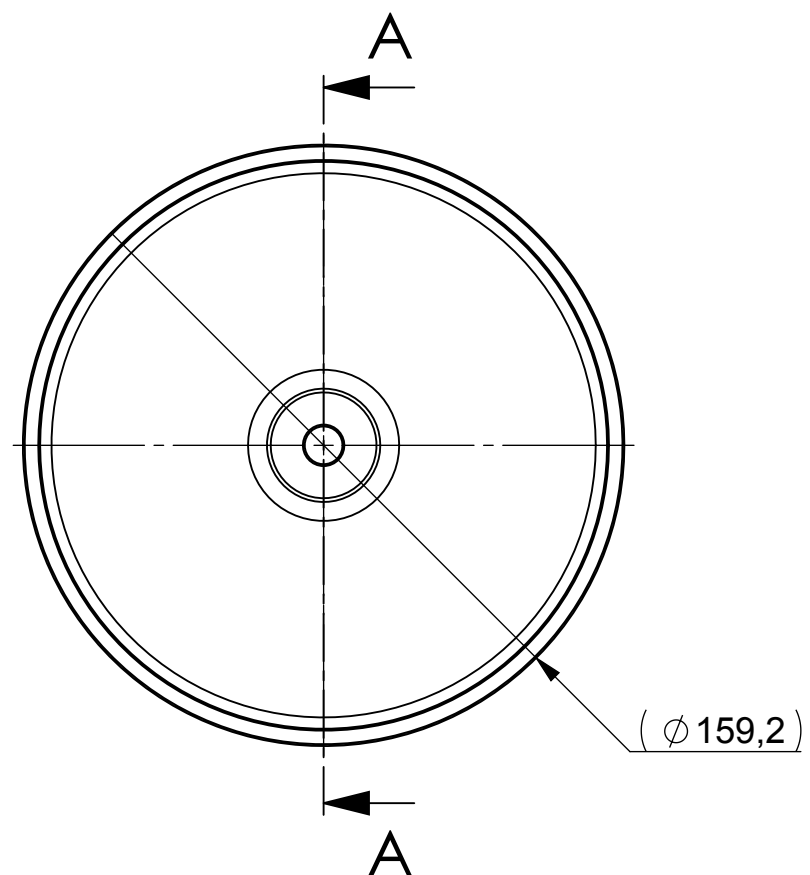
B

A

A



SECTION A-A
Scale 1 : 2



Part Number	9101/10	9102/10	9103/10
Material Core	Aluminum	Aluminum	Aluminum
Material Running surface	Rubber	Rubber	Aluminum
Running surface Structure	Smooth	Studded	Cross-hatched knurling

Operating temperature: -30°C to 80°C

UNCONTROLLED COPY

FIRST ISSUE DATE : 23/07/2018
DRAWN : RHM
APPROVED : JHH
DATE : 23/07/2018

SENSATA TECHNOLOGIES PROPRIETARY AND CONFIDENTIAL. NEITHER THIS PRINT NOR THE INFORMATION CONTAINED HEREON IS TO BE USED AGAINST THE INTERESTS OF SENSATA TECHNOLOGIES OR AGAINST THE INTERESTS OF ANY OF ITS AFFILIATED COMPANIES OR WHOLLY OWNED SUBSIDIARIES.



BEI SENSORS SAS
Espace Européen de l'Entreprise
9, rue de Copenhague
BP 70044 - F 67013 STRASBOURG Cedex
Tel : +33 (0)3 88 20 81 40

BEI Sensors

ECN :

UNLESS OTHERWISE SPECIFIED DIMENSIONS ARE IN MILLIMETERS [INCHES] AND ARE INTENDED AS NOMINAL. SEE PRODUCT SPECIFICATION FOR MORE DETAILS.

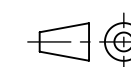
TITLE
500mm Measuring Wheel

DATE :

Housing material : Aluminum
Flange material :
Shaft material :

DO NOT SCALE DRAWING

EUROPEAN SYSTEM



SIZE A3	DWG NO. M080	REV. A
------------	------------------------	-----------

SCALE 1/2	SOLIDWORKS	SHEET 1 OF 1
--------------	------------	--------------

4

3

2

1

DEVICE:

PROJECT: