

FPX330-S102 4PCS SET

 mybotshop.de/FPX330-S102-4PCS-SET



Item number: MBS-ME-86

EAN: 8809677570517

DYNAMIXEL FPX330-S102K Set

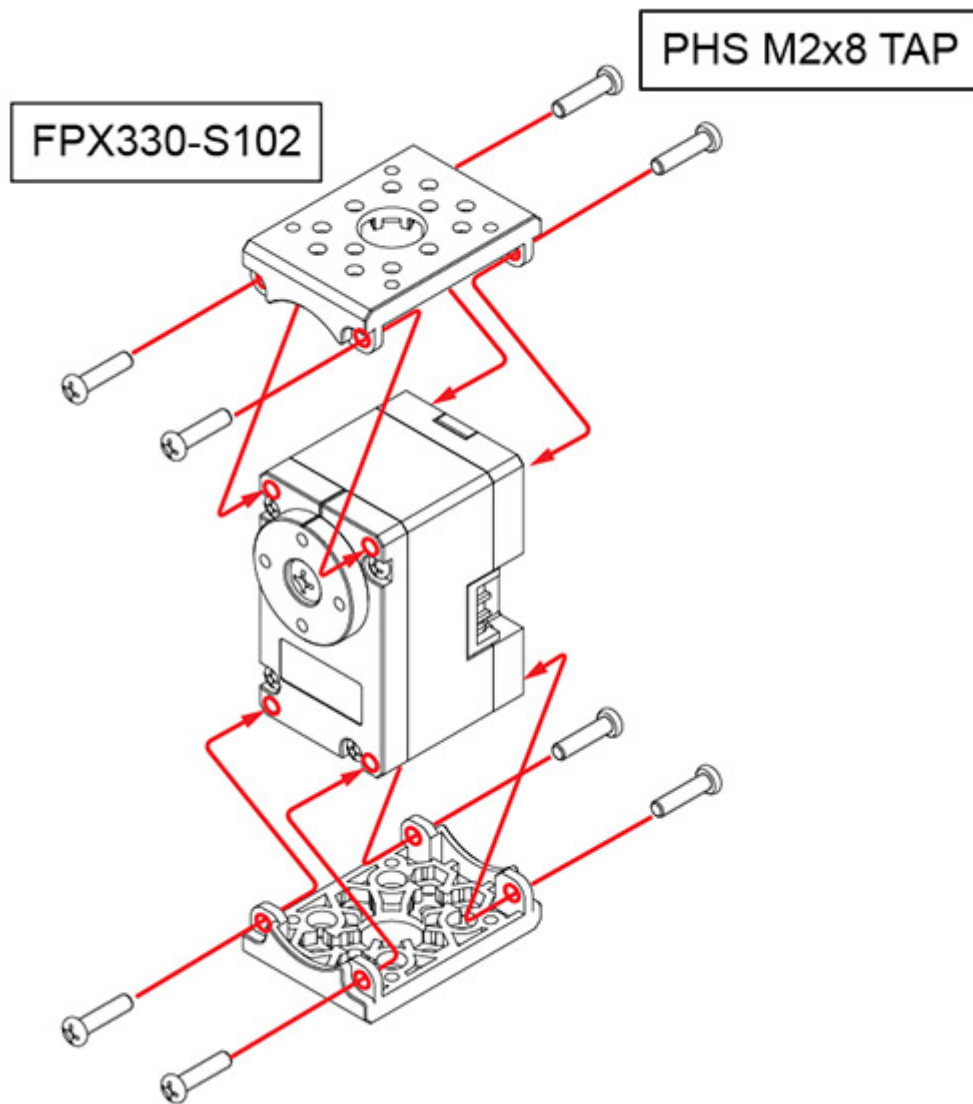
- DYNAMIXEL X330
- Bolting the at the long side of the servo ([FR13-S101K](#))

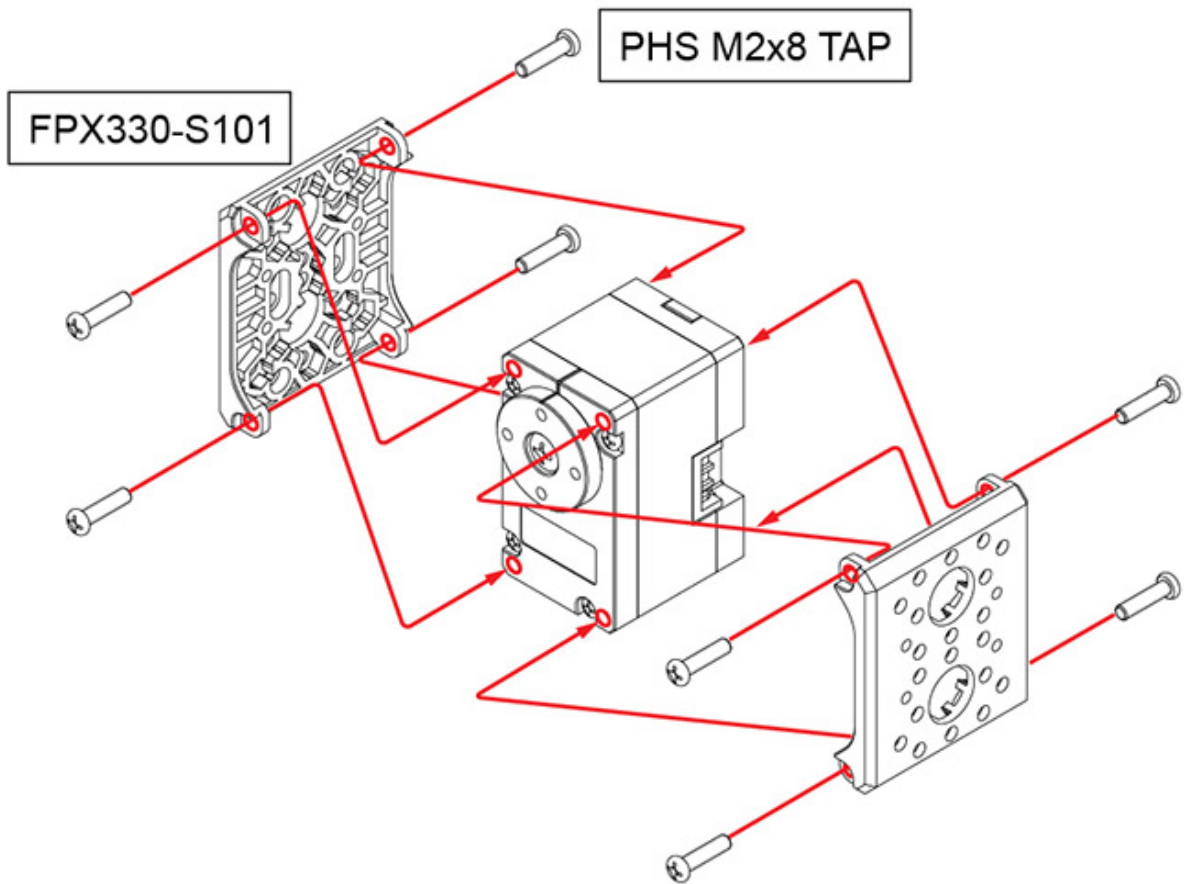
Category: Mechanic

- Description

- [Ratings](#)
- [Product Tags](#)

The DYNAMIXEL FPX330-S102 Set allows it to comfortably attach any DYNAMIXEL servo of the X330 series with a third party component.





Scope of delivery

- 4 x FPX330--S102K set of side panels
- 20 x M2 nuts for the frames
- 20 x M2x4 screws for the frames
- 20 x M2x4 TAP screws
- 20 x M2x8 TAP screws for the servo motor

HAN:	903-0300-000
Shipping weight:	0,02 Kg