

JUMO GmbH & Co. KG

Delivery address: Mackenrodtstraße 14,
36039 Fulda, Germany
Postal address: 36035 Fulda, Germany
Phone: +49 661 6003-0
Fax: +49 661 6003-607
E-mail: mail@jumo.net
Internet: www.jumo.net

JUMO Instrument Co. Ltd.

JUMO House
Temple Bank, Riverway
Harlow - Essex CM20 2DY, UK
Phone: +44 1279 63 55 33
Fax: +44 1279 63 52 62
E-mail: sales@jumo.co.uk
Internet: www.jumo.co.uk

JUMO Process Control, Inc.

8 Technology Boulevard
Canastota, NY 13032, USA
Phone: 315-697-JUMO
1-800-554-JUMO
Fax: 315-697-5867
E-mail: info@jumo.us
Internet: www.jumo.us



JUMO FOODtemp

RTD insertion temperature probes

- for temperatures from -50 ... +260°C
- Steam-tight and pressure-resistant
- High mechanical strength
- For use in the food industry
- Available with multiple measurement points

Due to their special construction, these robust, steam-tight RTD insertion temperature probes are especially suited to smoking, cooking, boiling, and baking processes in all food processing and food preservation applications. Further application areas are autoclaves and sterilizers.

The stainless steel probe is available with either a concentric or an oblique insertion tip (approx. 25° or 45°).

All versions have a highly vibration resistant design. The handles are oil-resistant and acid-proof.

The measurement insert is equipped with a Pt 100 temperature probe per EN 60 751, class B, in 2-wire-circuit or 3-wire-circuit as a standard.



Technical Data

Cable termination

Cable

Stripped wire ends, with ferrules, also available with contacts or multi-pole connector
Silicone, permissible ambient temperature range -50 ... +180°C
PTFE, permissible ambient temperature range -50 ... +260°C
Shielded cable optionally available

Handle

PPS plastic handle, ambient temperature max. +200°C
Silicone handle, ambient temperature max. +200°C
PTFE handle, ambient temperature max. +260°C
FPM handle, ambient temperature max. +200°C
PEEK handle, ambient temperature max. +260°C

Probe

Stainless steel 1.4571 (equivalent to SS 316 Ti), Ø 3.2mm, Ø 4mm, Ø 4.5mm

Probe tip

Concentric, angled at approx. 25°
Oblique, angled at 45°

Measurement insert

Pt 100 temperature sensor per DIN EN 60 751, Class B, two-wire circuit

Protection class

IP67

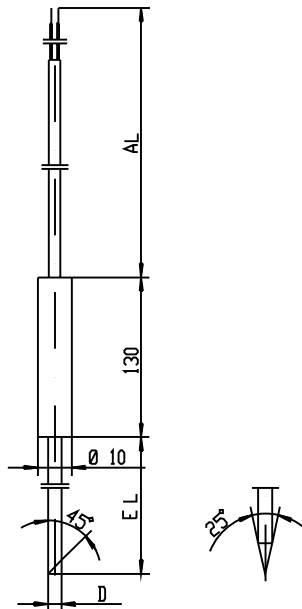
JUMO GmbH & Co. KG
 Delivery address: Mackenrodtstraße 14,
 36039 Fulda, Germany
 Postal address: 36035 Fulda, Germany
 Phone: +49 661 6003-0
 Fax: +49 661 6003-607
 E-mail: mail@jumo.net
 Internet: www.jumo.net

JUMO Instrument Co. Ltd.
 JUMO House
 Temple Bank, Riverway
 Harlow - Essex CM20 2DY, UK
 Phone: +44 1279 63 55 33
 Fax: +44 1279 63 52 62
 E-mail: sales@jumo.co.uk
 Internet: www.jumo.co.uk

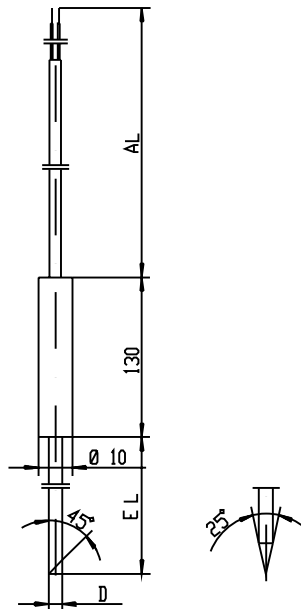
JUMO Process Control, Inc.
 8 Technology Boulevard
 Canastota, NY 13032, USA
 Phone: 315-697-JUMO
 1-800-554-JUMO
 Fax: 315-697-5867
 E-mail: info@jumo.us
 Internet: www.jumo.us



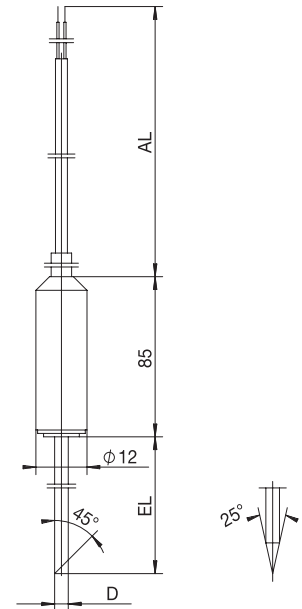
Dimensions



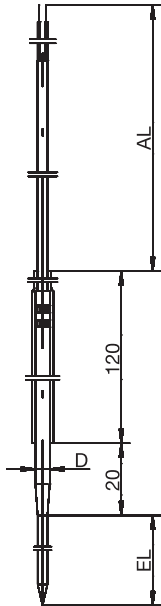
Type 902350/22



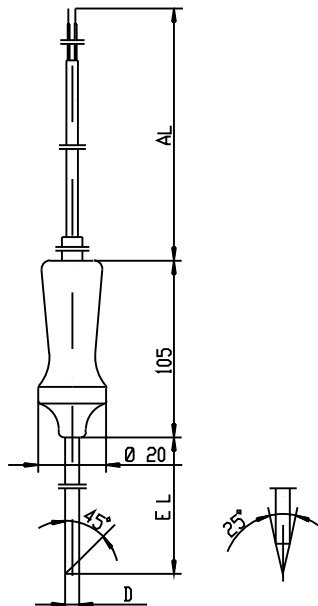
Type 902350/23



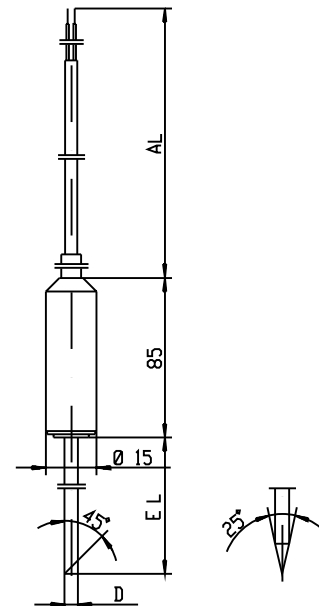
Type 902350/33



Type 902350/37
 Type 902350/38



Type 902350/43

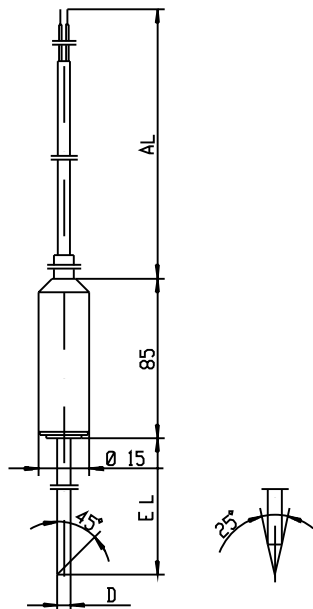


Type 902350/52

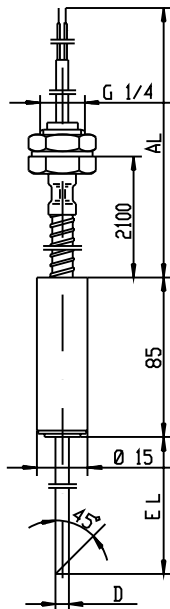
JUMO GmbH & Co. KG
 Delivery address: Mackenrodtstraße 14,
 36039 Fulda, Germany
 Postal address: 36035 Fulda, Germany
 Phone: +49 661 6003-0
 Fax: +49 661 6003-607
 E-mail: mail@jumo.net
 Internet: www.jumo.net

JUMO Instrument Co. Ltd.
 JUMO House
 Temple Bank, Riverway
 Harlow - Essex CM20 2DY, UK
 Phone: +44 1279 63 55 33
 Fax: +44 1279 63 52 62
 E-mail: sales@jumo.co.uk
 Internet: www.jumo.co.uk

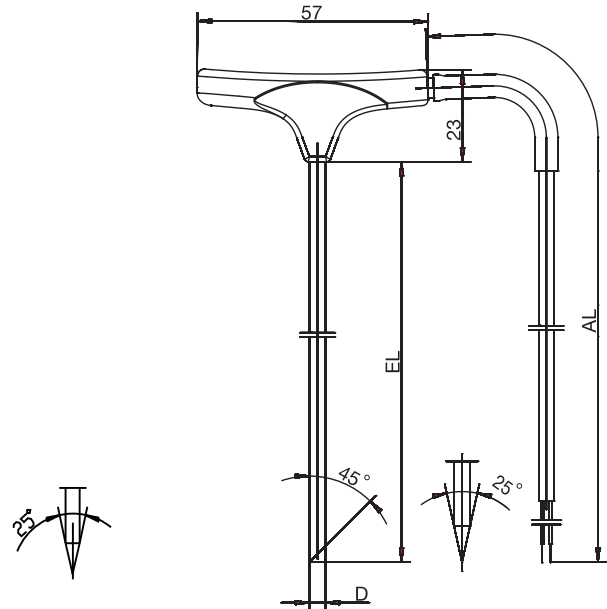
JUMO Process Control, Inc.
 8 Technology Boulevard
 Canastota, NY 13032, USA
 Phone: 315-697-JUMO
 1-800-554-JUMO
 Fax: 315-697-5867
 E-mail: info@jumo.us
 Internet: www.jumo.us



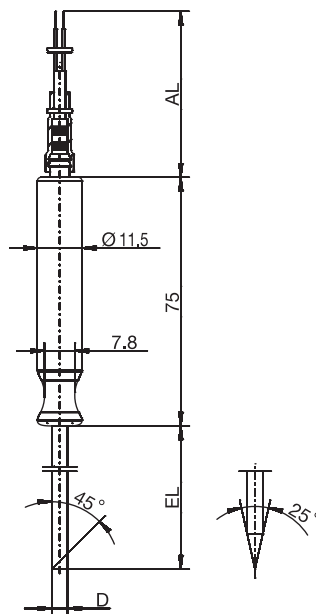
Type 902350/63



Type 902350/74



Type 902350/82
 Type 902350/83



Type 902350/84

JUMO GmbH & Co. KG
 Delivery address: Mackenrodtstraße 14,
 36039 Fulda, Germany
 Postal address: 36035 Fulda, Germany
 Phone: +49 661 6003-0
 Fax: +49 661 6003-607
 E-mail: mail@jumo.net
 Internet: www.jumo.net

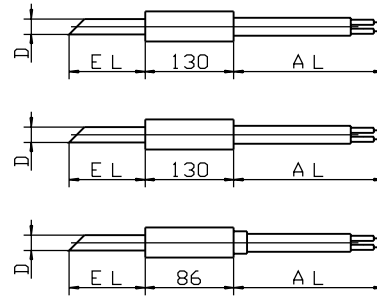
JUMO Instrument Co. Ltd.
 JUMO House
 Temple Bank, Riverway
 Harlow - Essex CM20 2DY, UK
 Phone: +44 1279 63 55 33
 Fax: +44 1279 63 52 62
 E-mail: sales@jumo.co.uk
 Internet: www.jumo.co.uk

JUMO Process Control, Inc.
 8 Technology Boulevard
 Canastota, NY 13032, USA
 Phone: 315-697-JUMO
 1-800-554-JUMO
 Fax: 315-697-5867
 E-mail: info@jumo.us
 Internet: www.jumo.us



Order details: RTD insertion temperature probes

(1) Basic type	
902350/22	RTD insertion temperature probes with silicone handle Ø 10mm and silicone cable
902350/23	RTD insertion temperature probes with silicone handle Ø 10mm and PTFE cable
902350/33	RTD insertion temperature probes with PTFE handle Ø 12mm and PTFE cable
(2) Operating temperature range in °C	
x x x	380 -50 ... +200°C
x	386 -50 ... +260°C
(3) Measurement insert	
x x x	1001 1x Pt 100 in 3-wire-circuit
x x x	1003 1x Pt 100 in 2-wire circuit
x x x	1011 1x Pt 100 in 4-wire circuit
x x x	2001 2x Pt 100 in 3-wire-circuit
x x x	2003 2x Pt 100 in 2-wire circuit
(4) Tolerance class per DIN EN 60 751	
x x x	1 Class B (standard)
x x x	2 Class A
(5) Probe diameter D in mm	
x x x	4 Ø 4mm
x x x	4,5 Ø 4.5mm (only with 2x Pt 100 in 3-wire-circuit)
(6) Insertion length EL in mm	
x x x	100 100mm
x x x	150 150mm
x x x	200 200mm
(7) Insertion tip	
x x x	2 Concentric, angled at 25°
x x x	3 Oblique, angled at 45°
(8) Cable termination	
x x x	03 stripped wires
x x x	11 Ferrules per DIN 46 228 Part 4 (Standard)
x x x	13 Contact 6.3 per DIN 46 247
x x x	80 Multi-pole connector (specify type in plain text)
(9) Cable length AL in mm (500 ≤ AL ≤ 500000)	
x x x	4000 4000mm (Standard)
x x x	... Please specify in plain text (500mm steps)
(10) Extra codes	
x x x	000 without extra codes
x x x	317 Shielded cable



Order code	(1)	(2)	(3)	(4)	(5)	(6)	(7)	(8)	(9)	(10)									
Order example	902350/22	-	380	-	1003	-	1	-	4	-	100	-	3	-	11	-	4000	/	000

JUMO GmbH & Co. KG
 Delivery address: Mackenrodtstraße 14,
 36039 Fulda, Germany
 Postal address: 36035 Fulda, Germany
 Phone: +49 661 6003-0
 Fax: +49 661 6003-607
 E-mail: mail@jumo.net
 Internet: www.jumo.net

JUMO Instrument Co. Ltd.
 JUMO House
 Temple Bank, Riverway
 Harlow - Essex CM20 2DY, UK
 Phone: +44 1279 63 55 33
 Fax: +44 1279 63 52 62
 E-mail: sales@jumo.co.uk
 Internet: www.jumo.co.uk

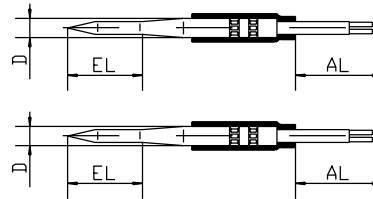
JUMO Process Control, Inc.
 8 Technology Boulevard
 Canastota, NY 13032, USA
 Phone: 315-697-JUMO
 1-800-554-JUMO
 Fax: 315-697-5867
 E-mail: info@jumo.us
 Internet: www.jumo.us



Order details: RTD insertion temperature probes

(1) Basic type

	902350/37	Miniature RTD insertion temperature probe with FPM handle Ø 6.5mm and silicone cable
	902350/38	Miniature RTD insertion temperature probe with FPM handle Ø 6.5mm and shielded PTFE cable
		(2) Operating temperature range in °C
x x	380	-50 ... +200 °C
		(3) Measurement insert
x	1001	1x Pt 100 in 3-wire-circuit
x x	1003	1x Pt 100 in 2-wire circuit
x	1011	1x Pt 100 in 4-wire circuit
		(4) Tolerance class per DIN EN 60 751
x x	1	Class B (standard)
x x	2	Class A
		(5) Probe diameter D in mm
x x	4	4mm, stepped down to 2.5mm
		(6) Insertion length EL in mm
x x	30	30mm
x x	50	50mm
x x	80	80mm
x x	100	100mm
		(7) Cable termination
x x	03	stripped wires
x x	11	Ferrules per DIN 46 228 Part 4 (Standard)
x x	13	Tab connector 6.3 per DIN 46 249
x x	80	Multi-pole connector (specify type in plain text)
		(8) Cable length AL in mm (500 ≤ AL ≤ 500000)
x x	4000	4000mm (Standard)
x x	...	Please specify in plain text (500mm steps)



Order code	(1)	(2)	(3)	(4)	(5)	(6)	(7)	(8)
Order example	902350/37	- 380	- 1003	- 1	- 4	- 80	- 11	- 4000

JUMO GmbH & Co. KG
 Delivery address: Mackenrodtstraße 14,
 36039 Fulda, Germany
 Postal address: 36035 Fulda, Germany
 Phone: +49 661 6003-0
 Fax: +49 661 6003-607
 E-mail: mail@jumo.net
 Internet: www.jumo.net

JUMO Instrument Co. Ltd.
 JUMO House
 Temple Bank, Riverway
 Harlow - Essex CM20 2DY, UK
 Phone: +44 1279 63 55 33
 Fax: +44 1279 63 52 62
 E-mail: sales@jumo.co.uk
 Internet: www.jumo.co.uk

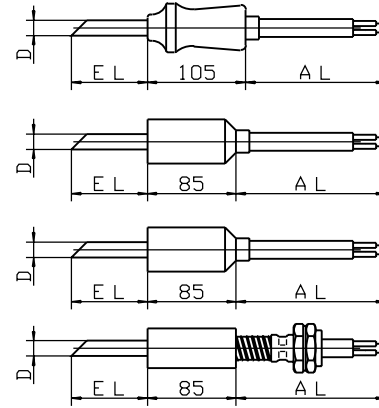
JUMO Process Control, Inc.
 8 Technology Boulevard
 Canastota, NY 13032, USA
 Phone: 315-697-JUMO
 1-800-554-JUMO
 Fax: 315-697-5867
 E-mail: info@jumo.us
 Internet: www.jumo.us



Order details: RTD insertion temperature probes

(1) Basic type

	902350/43	RTD insertion temperature probes with PPS plastic handle Ø 20mm and PTFE cable
	902350/52	RTD insertion temperature probes with PTFE handle Ø 15mm and silicone cable
	902350/63	RTD insertion temperature probes with PTFE handle Ø 15mm and PTFE cable
	902350/74	RTD insertion temperature probes with PTFE handle Ø 15mm and stainless steel corrugated hose
	(2) Operating temperature range in °C	
x x x x	380	-50 ... +200°C
x x x x	386	-50 ... +260°C
	(3) Measurement insert	
x x x x	1001	1x Pt 100 in 3-wire-circuit
x x x x	1003	1x Pt 100 in 2-wire circuit
x x x x	1011	1x Pt 100 in 4-wire circuit
x x x x	2001	2x Pt 100 in 3-wire-circuit
x x x x	2003	2x Pt 100 in 2-wire circuit
	(4) Tolerance class per DIN EN 60 751	
x x x x	1	Class B (standard)
x x x x	2	Class A
	(5) Probe diameter D in mm	
x x x x	3,2	Ø 3.2mm (only with 1x Pt 100 in 2-wire-circuit)
x x x x	4	Ø 4mm
x x x x	4,5	Ø 4.5mm (only with 2x Pt 100 in 3-wire-circuit)
	(6) Insertion length EL in mm	
x x x x	100	100mm
x x x x	150	150mm
x x x x	200	200mm
	(7) Insertion tip	
x x x x	2	Concentric, angled at approx. 25°
x x x x	3	Oblique, angled at 45°
	(8) Cable termination	
x x x x	03	stripped wires
x x x x	11	Ferrules per DIN 46 228 Part 4 (Standard)
x x x x	13	Contact 6.3 per DIN 46 247
x x x x	80	Multi-pole connector (specify type in plain text)
	(9) Cable length AL in mm (500 ≤ AL ≤ 500000)	
x x x x	4000	4000mm (Standard)
x x x x	...	Please specify in plain text (500mm steps)
	(10) Extra codes	
x x x x	000	without extra codes
x x x x	317	Shielded cable



Order code	(1)	(2)	(3)	(4)	(5)	(6)	(7)	(8)	(9)	(10)									
Order example	902350/43	-	380	-	1003	-	1	-	4	-	100	-	3	-	11	-	4000	/	000

JUMO GmbH & Co. KG
 Delivery address: Mackenrodtstraße 14,
 36039 Fulda, Germany
 Postal address: 36035 Fulda, Germany
 Phone: +49 661 6003-0
 Fax: +49 661 6003-607
 E-mail: mail@jumo.net
 Internet: www.jumo.net

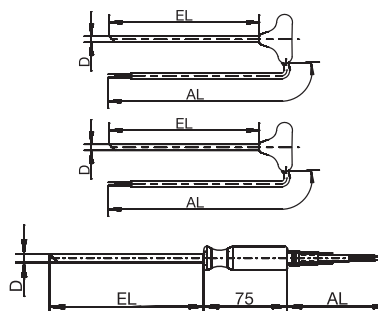
JUMO Instrument Co. Ltd.
 JUMO House
 Temple Bank, Riverway
 Harlow - Essex CM20 2DY, UK
 Phone: +44 1279 63 55 33
 Fax: +44 1279 63 52 62
 E-mail: sales@jumo.co.uk
 Internet: www.jumo.co.uk

JUMO Process Control, Inc.
 8 Technology Boulevard
 Canastota, NY 13032, USA
 Phone: 315-697-JUMO
 1-800-554-JUMO
 Fax: 315-697-5867
 E-mail: info@jumo.us
 Internet: www.jumo.us



Order details: RTD insertion temperature probes

(1) Basic type	
902350/82	RTD insertion temperature probes with PEEK handle and silicone cable
902350/83	RTD insertion temperature probes with PEEK handle and PTFE cable
902350/84	RTD insertion temperature probes with PEEK handle and PTFE cable
(2) Operating temperature range in °C	
x	380 -50 ... +200°C
x x	386 -50 ... +260°C
(3) Measurement insert	
x x x	1001 1x Pt 100 in 3-wire-circuit
x x x	1003 1x Pt 100 in 2-wire circuit
x x x	1011 1x Pt 100 in 4-wire circuit
x	2001 2x Pt 100 in 3-wire-circuit (only PTFE cable with probe diameter D = 4.5mm)
x x	2003 2x Pt 100 in 2-wire circuit
(4) Tolerance class per DIN EN 60 751	
x x x	1 Class B (standard)
x x x	2 Class A
(5) Probe diameter D in mm	
x x	4 Ø 4mm
x	4,5 Ø 4.5mm
(6) Insertion length EL in mm	
x x x	100 100mm (Standard)
x x x	150 150mm
(7) Insertion tip	
x x x	2 Concentric, angled at approx. 25°
x x x	3 Oblique, angled at 45° (standard)
(8) Cable termination	
x x x	03 stripped wires
x x x	11 Ferrules per DIN 46 228 Part 4 (Standard)
x x x	13 Contact 6.3 per DIN 46 247
x x x	80 Multi-pole connector (specify type in plain text)
(9) Cable length AL in mm (500 ≤ AL ≤ 500000)	
x x x	4000 4000mm (Standard)
x x x	... Please specify in plain text (500mm steps)
(10) Extra codes	
x x x	000 without extra codes
x x	317 Shielded cable



Order code	(1)	(2)	(3)	(4)	(5)	(6)	(7)	(8)	(9)	(10)
Order example	902350/83	- 386	- 1001	- 1	- 4,5	- 100	- 2	- 03	- 4000	/ 000

JUMO GmbH & Co. KG
 Delivery address: Mackenrodtstraße 14,
 36039 Fulda, Germany
 Postal address: 36035 Fulda, Germany
 Phone: +49 661 6003-0
 Fax: +49 661 6003-607
 E-mail: mail@jumo.net
 Internet: www.jumo.net

JUMO Instrument Co. Ltd.
 JUMO House
 Temple Bank, Riverway
 Harlow - Essex CM20 2DY, UK
 Phone: +44 1279 63 55 33
 Fax: +44 1279 63 52 62
 E-mail: sales@jumo.co.uk
 Internet: www.jumo.co.uk

JUMO Process Control, Inc.
 8 Technology Boulevard
 Canastota, NY 13032, USA
 Phone: 315-697-JUMO
 1-800-554-JUMO
 Fax: 315-697-5867
 E-mail: info@jumo.us
 Internet: www.jumo.us



Stock versions

(1)	(2)	(3)	(4)	(5)	(6)	(7)	(8)	(9)	(10)	Sales No.
902350/22	- 380	- 1003	- 1	- 4	- 100	- 3	- 11	- 4000	/ 000	90/00338150
902350/22	- 380	- 1001	- 1	- 4	- 100	- 2	- 11	- 4000	/ 317	90/00338153
902350/23	- 380	- 1003	- 1	- 4	- 100	- 3	- 11	- 4000	/ 000	90/00085418
902350/23	- 380	- 1003	- 1	- 4	- 100	- 2	- 11	- 4000	/ 000	90/00085420
902350/43	- 380	- 1003	- 1	- 4	- 100	- 3	- 11	- 4000	/ 000	90/00083365
902350/43	- 380	- 1001	- 1	- 4	- 100	- 3	- 11	- 4000	/ 000	90/00083366
902350/43	- 380	- 1003	- 1	- 4	- 100	- 2	- 11	- 4000	/ 000	90/00083791
902350/43	- 380	- 2001	- 1	- 4	- 100	- 2	- 11	- 4000	/ 000	90/00089569
902350/43	- 380	- 1001	- 1	- 4	- 100	- 2	- 11	- 4000	/ 000	90/00083792
902350/63	- 386	- 1001	- 1	- 4	- 100	- 3	- 11	- 4000	/ 000	90/00325270
902350/63	- 386	- 1001	- 1	- 4	- 100	- 2	- 11	- 4000	/ 000	90/00333089
902350/83	- 386	- 1001	- 1	- 4	- 100	- 3	- 11	- 4000	/ 000	90/00523228
902350/84	- 386	- 1001	- 1	- 4	- 100	- 3	- 11	- 4000	/ 000	90/00523235
902350/84	- 386	- 1001	- 1	- 4	- 100	- 2	- 11	- 4000	/ 000	90/00523236