



Alcoswitch

TE Internal #: 9-1437622-6

Switch Knobs, Knob, Aluminum 5056, Straight Knurl with Bar Pointer Knob Design, .25 in [6.35 mm] Shaft Size, 19.1 mm [.75 in] Diameter, Black, Line

[View on TE.com >](#)

Relays, Contactors & Switches > Switches > Switch Knobs



Switch Knob Product Type: **Knob**

Switch Knob Material: **Aluminum 5056**

Knob Design: **Straight Knurl with Bar Pointer**

Shaft Size: **6.35 mm [.25 in]**

Switch Knob Diameter: **19.1 mm [.75 in]**

Features

Product Type Features

Switch Knob Product Type	Knob
--------------------------	------

Configuration Features

Skirt	Without
Spinner	Without
Spin Plate	Without
Knob Design	Straight Knurl with Bar Pointer

Body Features

Switch Knob Material	Aluminum 5056
Switch Knob Color	Black

Dimensions

Shaft Size	6.35 mm [.25 in]
Switch Knob Diameter	19.1 mm [.75 in]

Identification Marking

Indicator Style	Line
Indicator Location	Side

Product Compliance

[For compliance documentation, visit the product page on TE.com>](#)



EU RoHS Directive 2011/65/EU	Not Compliant
EU ELV Directive 2000/53/EC	Not Compliant
China RoHS 2 Directive MIIT Order No 32, 2016	Restricted Materials Above Threshold
EU REACH Regulation (EC) No. 1907/2006	<p>Current ECHA Candidate List: JAN 2022 (223)</p> <p>Candidate List Declared Against: JAN 2022 (223)</p> <p>SVHC > Threshold:</p> <p>Pb (.6% in Component Part)</p> <p>Article Safe Usage Statements: Do not eat, drink or smoke when using this product. Wash thoroughly after handling. Recycle if possible and dispose of the article by following all applicable governmental regulations relevant to your geographic location.</p>
Halogen Content	Low Halogen - Br, Cl, F, I < 900 ppm per homogenous material. Also BFR/CFR/PVC Free
Solder Process Capability	Not applicable for solder process capability

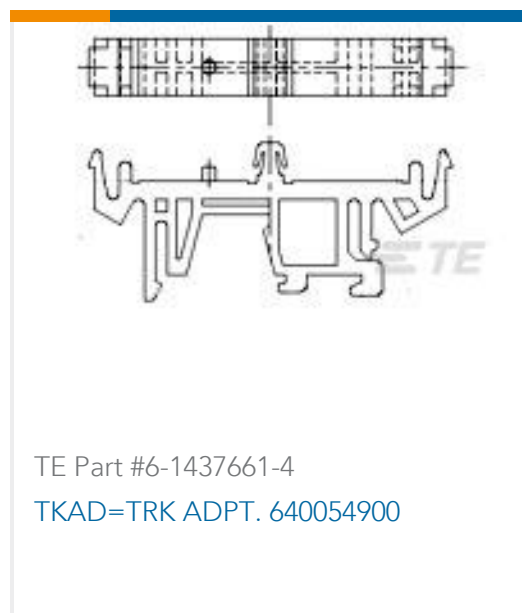
Product Compliance Disclaimer

This information is provided based on reasonable inquiry of our suppliers and represents our current actual knowledge based on the information they provided. This information is subject to change. The part numbers that TE has identified as EU RoHS compliant have a maximum concentration of 0.1% by weight in homogenous materials for lead, hexavalent chromium, mercury, PBB, PBDE, DBP, BBP, DEHP, DIBP, and 0.01% for cadmium, or qualify for an exemption to these limits as defined in the Annexes of Directive 2011/65/EU (RoHS2). Finished electrical and electronic equipment products will be CE marked as required by Directive 2011/65/EU. Components may not be CE marked. Additionally, the part numbers that TE has identified as EU ELV compliant have a maximum concentration of 0.1% by weight in homogenous materials for lead, hexavalent chromium, and mercury, and 0.01% for cadmium, or qualify for an exemption to these limits as defined in the Annexes of Directive 2000/53/EC (ELV). Regarding the REACH Regulation, the information TE provides on SVHC in articles for this part number is based on the latest European Chemicals Agency (ECHA) 'Guidance on requirements for substances in articles' posted at this URL: <https://echa.europa.eu/guidance-documents/guidance-on-reach>

Compatible Parts



Customers Also Bought



Documents

CAD Files

3D PDF

3D

Customer View Model

[ENG_CVM_CVM_9-1437622-6_A_c-9-1437622-6-a.2d_dxf.zip](#)

English

Customer View Model

[ENG_CVM_CVM_9-1437622-6_A_c-9-1437622-6-a.3d_igs.zip](#)

English

Customer View Model

[ENG_CVM_CVM_9-1437622-6_A_c-9-1437622-6-a.3d_stp.zip](#)

English

By downloading the CAD file I accept and agree to the [Terms and Conditions](#) of use.

Product Environmental Compliance

Product Compliance

English

Product Compliance

English

KPN700B1/4

Switch Knobs, Knob, Aluminum 5056, Straight Knurl with Bar Pointer Knob Design, .25 in [6.35 mm] Shaft Size, 19.1 mm [.75 in] Diameter, Black, Line

