



T-distribution connector; 1 x plug / 2 x socket; 2-pole; 100% protected against mismatching; pluggable

Item No.: 893-1606



T-distribution connector; 1 x plug / 2 x socket; 2-pole; 100% protected against mismatching; pluggable

Marking

RoHS ✓
Compliant

Business data

Supplier	WAGO
Item no.	893-1606
GTIN / EAN	4045454547677
Content	1
Order amount	25
Customer item number	

Notes

*Hinweis:*Note:All connectors for fixed installations (snap-in versions for lighting fixtures or devices, female locking latch all types of PCB and distribution connectors) are factory-equipped with locking levers to ensure plugs and sockets are securely locked. Additional locking levers are only required for "flying leads" (plug/socket).Note on Continuous Service Temperature:-35°C ... +85°C PVC cable for temperatures 70 °C (including halogen-free) Insulating parts for temperatures 105 °C

Technical data

Miscellaneous

No. of poles	2
Total number of potentials	2

Printview: T-distribution connector; 1 x plug / 2 x socket; 2-pole; 100% protected against mismatching; pluggable - Item No.: 893-1606

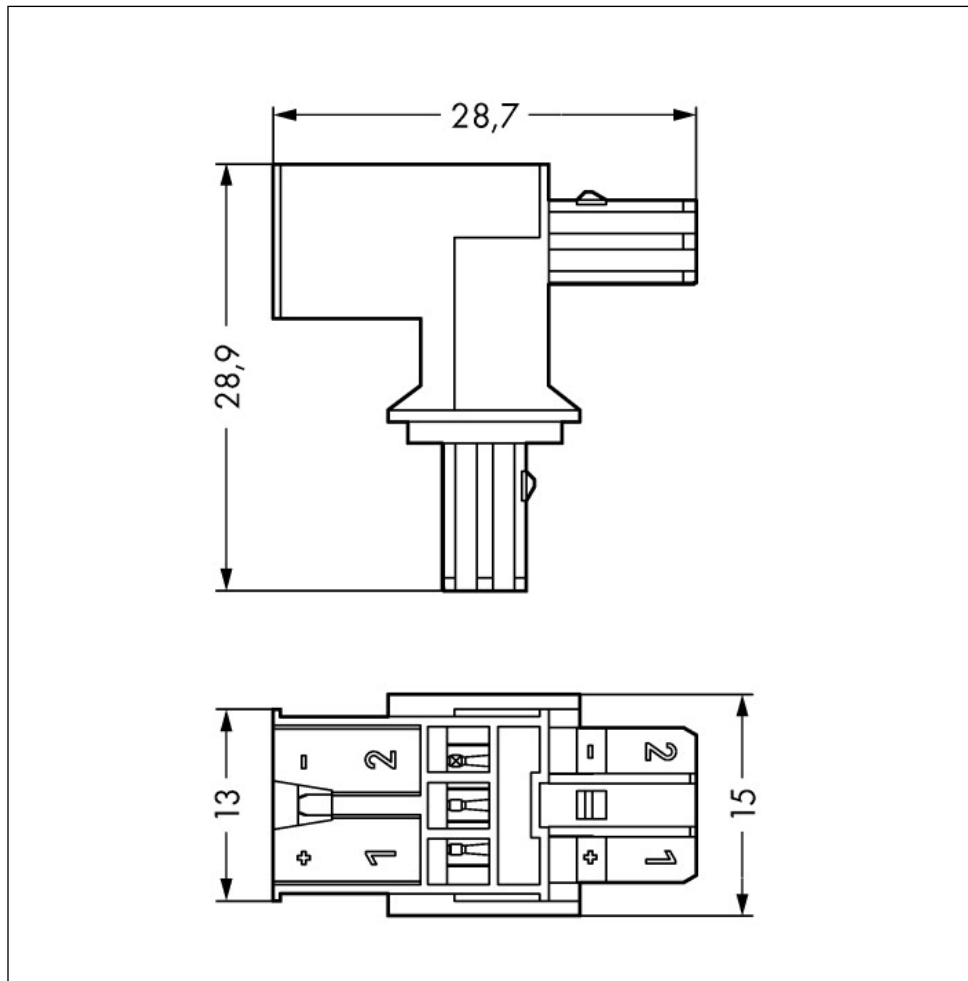
Technical data	
<i>Potential marking</i>	1+ 2-
<i>Color</i>	green
<i>Coding</i>	E
<i>Rated voltage (III / 3) [V]</i>	50 [V]
<i>Rated impulse voltage (III / 3) [kV]</i>	0.8 [kV]
<i>Pollution degree (1)</i>	3
<i>Rated current [A]</i>	3 [A]
<i>Legend for ratings</i>	(III / 3) Overvoltage category III /
<i>Mating force of a plug-in connection</i>	approx. 10–15N
<i>Unmating force of a plug-in connection</i>	when unlocked: approx. 15–20N
<i>Insulating material</i>	Polyamide 66 (PA 66)
<i>Flammability class per UL94</i>	V0
<i>Contact material</i>	Copper alloy, surface-treated
<i>Processing temperature</i>	-5°C ... +40°C
<i>Fire load [MJ]</i>	0.052 [MJ]
<i>Weight [g]</i>	9.757 [g]
<i>Width</i>	15 mm / 0.591 Inch
<i>Height</i>	28.9 mm / 1.138 Inch
<i>Depth</i>	28.7 mm / 1.13 Inch
<i>Marking</i>	1+ 2-

Printview: T-distribution connector; 1 x plug / 2 x socket; 2-pole; 100% protected against mismatching; pluggable - Item No.: 893-1606

Images & drawings



Printview: T-distribution connector; 1 x plug / 2 x socket; 2-pole; 100% protected against mismatching; pluggable - Item No.: 893-1606



Address

WAGO Kontakttechnik GmbH & Co. KG

Hansastr. 27

32423 Minden

Telefon: 0571/887-0

Fax: 0571/887-169

<http://www.wago.com>

© WAGO Kontakttechnik GmbH & Co. KG

Technische Änderungen und Irrtümer vorbehalten.