

**Industrial Ethernet
IE-M12-ADAP S**

Weidmüller Interface GmbH & Co. KG
Klingenbergstraße 26
D-32758 Detmold
Germany
Fon: +49 5231 14-0
Fax: +49 5231 14-292083
www.weidmueller.com



M12 panel feed-through, IP67

General ordering data

Type	IE-M12-ADAP S
Order No.	8901620000
Version	Adapter, straight, RJ45, M12, Cat.5 (ISO/IEC 11801), IP67
GTIN (EAN)	4032248653577
Qty.	1 pc(s).

**Industrial Ethernet
IE-M12-ADAP S**

Weidmüller Interface GmbH & Co. KG
 Klingenbergstraße 26
 D-32758 Detmold
 Germany
 Fon: +49 5231 14-0
 Fax: +49 5231 14-292083
 www.weidmueller.com

Technical data
Dimensions and weights

Net weight	32 g
------------	------

Temperatures

Operating temperature, max.	80 °C	Operating temperature, min.	-25 °C
Storage temperature, max.	80 °C	Storage temperature, min.	-40 °C
Operating temperature	-25 °C...80 °C	Storage temperature	-40 °C...80 °C

Environmental Product Compliance

REACH SVHC	Lead 7439-92-1
------------	----------------

General Info

Connection 1	RJ45	Connection 2	M12
Description of article	Adapter, straight	Configuration	M12 socket to RJ45 socket
Housing main material	PA 66	Category	Cat.5 (ISO/IEC 11801)
Connection thread	M12	Contact surface	Gold-plated
Shielding	Yes	Protection degree	IP67

Electrical properties

Contact resistance	≤ 10 mΩ	Current-carrying capacity at 50 °C	1 A
--------------------	---------	------------------------------------	-----

Standards

Connector standard	IEC 60603-7-5, IEC 61076-2-101	Certificate no. (cULus)	E471884
--------------------	--------------------------------	-------------------------	---------

Classifications

ETIM 6.0	EC000313	ETIM 7.0	EC000313
eClass 9.0	27-44-03-20	eClass 9.1	19-17-01-25
eClass 10.0	27-44-03-20	UNSPSC	30-21-18-14

Approvals

Approvals



ROHS	Conform
------	---------

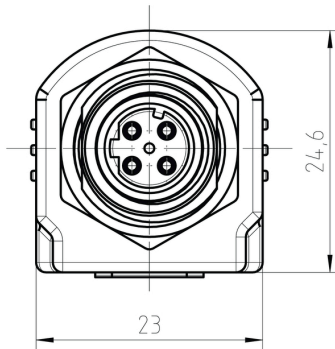
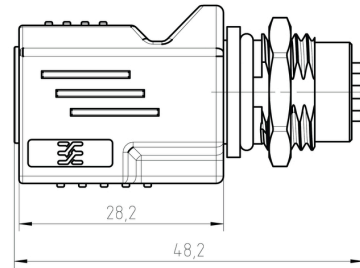
Downloads

Approval/Certificate/Document of Conformity	GOST Approval PROFINET Manufacturer's Declaration
Brochure/Catalogue	CAT 9 IETH 18/19 EN FL FIELDWIRING EN PI PROFINET CABLING EN
Engineering Data	STEP
User Documentation	MAN IE GUIDE DE MAN IE GUIDE EN

Creation date 16 January 2020 09:31:04 CET

**Industrial Ethernet
IE-M12-ADAP S**

Weidmüller Interface GmbH & Co. KG
Klingenbergstraße 26
D-32758 Detmold
Germany
Fon: +49 5231 14-0
Fax: +49 5231 14-292083
www.weidmueller.com

Drawings**Dimensioned drawing****Dimensioned drawing****Installation cut-out**